

THE ENCLOSED DOCUMENT IS  
PROVIDED FOR YOUR CONVENIENCE.

**+REGISTER AS A “PLANHOLDER”  
TO BE LISTED ON THE WEBPAGE,  
TO BE FOUND BY POTENTIAL  
SUB-CONTRACTORS,  
AND TO BE OFFICIALLY NOTIFIED OF  
ADDENDA.**

FOR ASSISTANCE OR  
TO REGISTER  
CONTACT:

[MAILTO:CONTRACTADMINISTRATION@TAMPA.GOV](mailto:CONTRACTADMINISTRATION@TAMPA.GOV)

(813)274-8456, FAX 274-8080  
CONTRACT ADMINISTRATION DEPARTMENT  
306 E. JACKSON ST. #280A4N  
TAMPA, FL 33602

CITY OF  
TAMPA, FLORIDA

NOTICE TO BIDDERS, INSTRUCTIONS TO BIDDERS  
PROPOSAL, BID BOND, FORM OF NOTICE OF AWARD,  
AGREEMENT, PERFORMANCE BOND AND  
SPECIFICATIONS

FOR

**Contract 10-C-00016**

**LA CASA SUBDIVISION ALLEY PROJECT - SLBE**

City of Tampa  
CONTRACT ADMINISTRATION DEPARTMENT  
TAMPA MUNICIPAL OFFICE BUILDING  
306 E. JACKSON STREET - 4<sup>TH</sup> FLOOR NORTH  
TAMPA, FLORIDA 33602

MARCH 2010

CITY OF TAMPA  
CONTRACT ADMINISTRATION DEPARTMENT  
306 E. Jackson Street 280A4N  
Tampa, FL 33602

\*\*\*\*\*

**BID NOTICE MEMO**

\*\*\*\*\*

**Bids will be received no later than 1:30 p.m. on the indicated Date(s) for the following Project(s):**

\*\*\*\*\*

**CONTRACT NO.:** 10-C-00007; Hanna Pumping Station Improvements

**BID DATE:** April 20, 2010 **ESTIMATE:** \$225,000 **SCOPE:** The project comprises furnishing all labor, materials, and equipment to replace the existing motor control center, install 4 new variable frequency drives for the existing pumps, set-up and maintain bypass pumping system. **PRE-BID CONFERENCE:** Tuesday, April 6, 2010, 10:00 a.m., On-site – 1501 W. Hanna Avenue (See Plan Sheet No. 2)

\*\*\*\*\*

**CONTRACT NO.:** 10-C-00016; La Casa Subdivision Alley Reestablishment - **SLBE**

**BID DATE:** April 13, 2010 **ESTIMATE:** \$50,000 **SCOPE:** The project comprises construction of an asphalt alley, installation of brick pavers, concrete curb, sidewalks. **PRE-BID CONFERENCE:** N/A

\*\*\*\*\*

**CONTRACT NO.:** 10-C-00032; Cold-in-Place Asphaltic Recycling

**BID DATE:** April 20, 2010 **ESTIMATE:** \$2,000,000 **SCOPE:** The project comprises furnishing all labor, materials and equipment for cold- in-place recycling of bituminous pavements at various locations throughout the city. **PRE-BID CONFERENCE:** N/A

\*\*\*\*\*

Bids will be opened in the 4th Floor Conference Room, Tampa Municipal Office Building, 306 E. Jackson Street, Tampa, Florida 33602. Pre-Bid Conference is held at the same location unless otherwise indicated. Plans and Specifications for this work may be examined at, and downloaded from, the Contract Administration Department website listed below. Subcontracting opportunities may exist for City certified Small Local Business Enterprises (SLBEs). A copy of the current SLBE directory may be obtained at [www.Tampagov.net](http://www.Tampagov.net). Phone (813) 274-8456 for assistance. **Email Technical Questions to: [contractadministration@tampagov.net](mailto:contractadministration@tampagov.net)** . Visit [http://www.tampagov.net/dept\\_contract\\_administration/programs\\_and\\_services/construction\\_project\\_bidding/index.asp](http://www.tampagov.net/dept_contract_administration/programs_and_services/construction_project_bidding/index.asp) for **Project Listings and any Addenda**.



TABLE OF CONTENTS

BIDDING REQUIREMENTS

Notice to Bidders ..... N-1  
 Instructions to Bidders.....I-1a thru I-4  
 Insurance Requirements.....INS-1 thru INS-2  
 Sample Solicitation Letter.....SL-1

BID FORMS

Proposal..... P-1 thru P-  
 Good Faith Efforts Compliance Plan..... GFECF  
 SLBE Solicited..... DMI – Solicited  
 SLBE Utilized..... DMI – Utilized  
 Bid Bond ..... BB-1

CONTRACT FORMS

Agreement ..... A-1 thru A-13  
 Public Construction Bond ..... PB-1 thru PB-3

GENERAL PROVISIONS

General Provisions..... G-1 thru G-10  
 Supplementary General Provisions..... SGP-1 thru SGP-5  
 Special Conditions ..... SC-1 thru SC-4  
 Subcontractors Payment Form..... DMI – Payments  
 Project Sign ..... Sign-1 thru Sign-2

SPECIFICATION

DIVISION 1

GENERAL REQUIREMENTS

SECTION 01010 ..... SUMMARY OF WORK .....01010-1 thru 01010-2  
 SECTION 01020 ..... ALLOWANCES .....01020-1 thru 01020-2  
 SECTION 01040 ..... PROJECT COORDINATION.....01040-1 thru 01040-4  
 SECTION 01045 ..... CUTTING & PATCHING .....01045-1 thru 01045-3

DIVISION 2

SITWORK

SECTION 02070 ..... SELECTIVE DEMOLITION.....02070-1 thru 02070-3  
 SECTION 02070a ..... SITE DEMOLITION.....02070a-1 thru 02070a-4  
 SECTION 02110 ..... SITE CLEARING .....02110-1 thru 02110-3  
 SECTION 02200 ..... EARTHWORK .....02200-1 thru 02200-9  
 SECTION 02900 ..... TREES, PLANTS AND GROUNDCOVERS .....02900-1 thru 02900-8

NOTICE TO BIDDERS  
CITY OF TAMPA, FLORIDA  
Contract 10-C-00016; La Casa Subdivision Alley Project

Sealed Proposals will be received by the City of Tampa no later than 1:30 P.M., April 13, 2010, in the 4<sup>th</sup> Floor Conference Room, Tampa Municipal Office Building, 306 E. Jackson Street, Tampa, Florida, there to be publicly opened and read aloud.

The proposed work is to include, but not be limited to, construction of an asphalt alley, concrete curb, sidewalk with all associated work required for a complete project in accordance with the Contract Documents.

The Instructions to Bidders, Proposal, Form of Bid Bond, Agreement, Form of Public Construction Bond, Specifications, Plans and other Contract Documents may be downloaded from the website at: [http://www.tampagov.net/dept\\_contract\\_administration/programs\\_and\\_services/construction\\_project\\_bidding/index.asp](http://www.tampagov.net/dept_contract_administration/programs_and_services/construction_project_bidding/index.asp). One set may be available for reference at the office of the Contract Administration Department, Municipal Office Building, Fourth Floor North, City Hall Plaza, Tampa, Florida 33602.

Each Proposal must be submitted on the Proposal form included in the Specifications and must be accompanied by a certified check or cashier's check on a solvent bank or trust company in compliance with Section 255.051, Florida Statutes, made payable to the City of Tampa, in an amount of not less than five per cent of the total bid, or a Bid Bond, of like amount, on the form set forth in the Contract Documents, as a guarantee that, if the Proposal is accepted, the Bidder will execute the Proposed Contract and furnish Performance and Payment Bonds within twenty (20) days after receipt of Notice of Award of Contract.

The City of Tampa reserves the right to reject any or all Bids and to waive any informalities in the Bid and/or Bid Bond. Acceptance or rejection of Proposals will be made as soon as practicable after the Proposals are received, but the City reserves the right to hold Proposals for ninety (90) days from the date of Opening.

"A person or affiliate who has been placed on the convicted vendor list following a conviction for a public entity crime may not submit a bid on a contract to provide any goods or services to a public entity, may not submit a bid on a contract with a public entity for the construction or repair of a public building or public work, may not submit bids on leases of real property to a public entity, may not be awarded or perform work as a contractor, supplier, subcontractor, or consultant under a contract with any public entity, and may not transact business with any public entity in excess of the threshold amount provided in Section 287.017, for CATEGORY TWO for a period of 36 months from the date of being placed on the convicted vendor list." Refer to Section 287.133 Florida Statutes.

In accordance with the City of Tampa's Equal Business Opportunity Ordinance, a Goal may have been established for subcontracting with Small Local Business Enterprises, SLBEs, certified by the City. Links to further information and a list of SLBEs are on the Department's Construction Project Bidding Web page. A link to the current complete directory of SLBEs is on the Minority Business Development Office Website.

INSTRUCTIONS TO BIDDERS  
SECTION 1 - SPECIAL INSTRUCTIONS

I-1.01 GENERAL:

The proposed work is the La Casa Subdivision Alley Project in the City of Tampa, as required for a complete project, as shown on the plans and detailed in the specifications. The work is located on land owned or controlled by the City of Tampa.

I-1.02 FORM PREPARATION AND PRESENTATION OF PROPOSALS:

Replace the second sentence with the following:

Submission of the entire specification book is not required.

I-1.03 ADDENDA – Section I-2.03 is replaced with the following:

No interpretation of the meaning of the Plans, Specifications, or other Contract Documents will be made to any Bidder orally.

Every request for such interpretation must be in writing, addressed to the City of Tampa, Contract Administration Department, 306 E. Jackson St., 4th Floor, Tampa, Florida 33602 and then faxed to 813/274-8080. To be given consideration, such request must be received at least seven (7) days prior to the date fixed for the opening of the Proposals. Any and all such interpretations and any supplemental instructions will be in the form of written addenda which, if issued, will be posted on the Department's web page, with notice given to all prospective bidders at the respective fax numbers or e-mail addresses furnished, for such purposes. Failure of any Bidder to receive any such addenda shall not relieve said Bidder from any obligation under his Proposal as submitted. All addenda so issued shall become part of the Contract Documents.

I-1.04 SIGNATURE OF BIDDERS:

Section I-2.07 is replaced with the following:

Proposals must be signed in ink by the Bidder with signature in full. When firm is a Bidder, the Proposal shall be signed in the name of the firm by one or more partners. When a corporation is a bidder the officer signing shall set out the corporate name in full beneath which he shall sign his name and give the title of his office. The Proposal shall also bear the seal of the corporation attested by its secretary.

If the bidder referred to in Section I-2.07 is a corporation, it must submit upon request, a copy of its filed Articles of Incorporation. In addition, if the bidder was incorporated in another state, it must establish that it is authorized to do business in the State of Florida. If the bidder is using a fictitious name, it must submit upon request, proof of registration of such name with the Clerk of the Circuit Court of the Country where its principal place of business is. Failure to submit what is required is grounds to reject the bid of that bidder.

I-1.05 TIME FOR COMPLETION:

The work shall be arranged to be completed in accordance with a progress schedule approved by the Construction Engineer.

The time for completion of this project, referred in Article 4.01 of the Agreement, shall be 60 consecutive calendar days. The period for performance shall start from the date indicated in the "Notice To Proceed".

I-1.06 LIQUIDATED DAMAGES:

The amount of liquidated damages, referred to in Article 4.06 of the Agreement, for completion of this project shall be \$500.00 per calendar day.

I-1.07 BASIS OF AWARD OF CONTRACT:

The basis of award referred to in Item I-2.11 of Instructions to Bidders shall be the greatest amount of work, which can be accomplished within the funds available as budgeted. The award may be made on the basis of the total bid, base bid, alternates(s) if any, unit bids if any, or any combination thereof deemed to be in the best interest of the City.

INSTRUCTIONS TO BIDDERS  
SECTION 1 - SPECIAL INSTRUCTIONS

Unless all bids are rejected, the award will be made within 90 days after opening proposals.

I-1.08 GROUND BREAKING CEREMONY:

Arrangement may be made by the City in coordination with the Contractor, for construction to commence with a Ground Breaking Ceremony. Details will be discussed at the pre-construction conference.

I-1.09 INSURANCE:

The insurance required for this project shall be as indicated on Pages beginning with INS-1. Before commencing work, the Contractor shall provide the evidence of the insurance required on a Certificate of Insurance accompanied by evidence of authority to bind the insurance company or companies such as agents license, power of attorney, or letter of authority.

I-1.10 EQUAL BUSINESS OPPORTUNITY PROGRAM / SLBE / REQUIREMENTS

In accordance with the City of Tampa's Equal Business Opportunity Ordinance, no goal has been established for subcontracting with Small Local Business Enterprises, (SLBEs), certified by the City. Only City Certified Small Business Enterprise (SLBEs) may submit bids on this project.

GOOD FAITH EFFORT COMPLIANCE PLAN REQUIRED - When a Goal has been established, the Bidder must submit, with its bid, completed to the fullest extent possible, a Good Faith Effort Compliance Plan using the form GFECF contained herein. Additional documentation is required whenever an SLBE subcontractor's low quote is not utilized. Supplemental information or documentation concerning the Bidder's Compliance Plan may be required prior to award as requested by the City.

DIVERSITY MANAGEMENT INITIATIVE, DMI, DATA REPORTING FORMS REQUIRED - Bidders must submit, with its bid, "DMI-Solicited" forms listing all subcontractors solicited and "DMI-Utilized" forms listing all subcontractors to be utilized. Supplemental forms, documentation, or information may be submitted at bid time or as requested by the City.

After an award, "DMI-Payments" forms are to be submitted with payment requests to report payments to subcontractors.

Bidders may visit the Minority Business Development Office's web page at TampaGov.net for other information about the SLBE program, FAQ's, and the latest SLBE directory of certified firms.

I-1.11 BID SECURITY:

Surety companies shall have a rating of not less than B+ Class VI as evaluated in the most recently circulated Best Key rating Guide Property-Liability.

I-1.12 PUBLIC CONSTRUCTION BOND:

The Bidder who is awarded the Contract will be required to furnish a Public Construction Bond upon the forms provided herein, each equal to 100 percent of the Contract price, such Bonds to be issued and executed by (a) surety company(ies) acceptable to the City of Tampa and licensed to underwrite contracts in the State of Florida.

I-1.13 AGREEMENT

Section 2 – Powers of the City's Representatives

Add the following:

Article 2.05 CITY'S TERMINATION FOR CONVENIENCE:

The City may, at any time, terminate the Contract in whole or in part for the City's convenience and without cause. Termination by the City under this Paragraph shall be by a notice of termination delivered to the Contractor, specify the extent of termination and the effective date.

INSTRUCTIONS TO BIDDERS  
SECTION 1 - SPECIAL INSTRUCTIONS

Upon receipt of a notice of termination, the Contractor shall immediately, in accordance with instructions from the City, proceed with performance of the following duties regardless of delay in determining or adjusting amounts due under this Paragraph:

- (a) cease operations as specified in the notice;
- (b) place no further orders and enter into no further subcontracts for materials, labor, services or facilities except as necessary to complete continued portions of the Contract;
- (c) terminate all subcontracts and orders to the extent they relate to the Work terminated;
- (d) proceed to complete the performance of Work not terminated; and
- (e) take actions that may be necessary, or that the City may direct, for the protection and preservation of the terminated Work.

The amount to be paid to the Contract by the City because of the termination shall consist of:

- (a) for costs related to work performed on the terminated portion of the Work prior to the effective date including termination costs relative to subcontracts that are properly chargeable to the terminated portion of the Work.
- (b) the reasonable costs of settlement of the Work terminated, including accounting, legal, clerical and other expenses reasonable necessary for the preparation of termination settlement proposals and supporting data; additional costs of termination and settlement of subcontracts excluding amounts of such settlements; and storage, transportation, and other costs incurred which are reasonably necessary for the preservation, protection or disposition of the terminated Work; and
- (c) a fair and reasonable profit on the completed Work unless the Contractor would have sustained a loss on the entire Contract had it been completed.

Allowance shall be made for payments previously made to the Contractor for the terminated portion of the Work, and claims which the City has against the Contractor under the Contract, and for the value of materials supplies, equipment or other items that are part of the costs of the Work to be disposed of by the Contractor.

Section 5 – subcontracts and Assignments  
Page A-7, Last Paragraph:

Change "...twenty-five (25) percent..." to "fifty-one (51) percent..."

Section 10-Payments  
Article 10.25 Partial Payments, 1<sup>st</sup> Paragraph, 1<sup>st</sup> Sentence:

Change "...fair value of the work done, and may apply for..." to "...fair value of the work done, and shall apply for..."

## INSTRUCTIONS TO BIDDERS

### SECTION 2 GENERAL INSTRUCTIONS

#### I-2.01 BIDDER'S RESPONSIBILITY

Before submitting Proposals, Bidders shall carefully examine the entire site of the proposed work and adjacent premises and the various means of approach and access to the site, and make all necessary investigations to inform themselves thoroughly as to the facilities necessary for delivering, placing and operating the necessary construction equipment, and for delivering and handling materials at the site, and inform themselves thoroughly as to all difficulties involved in the completion of all the work in accordance with the Contract Documents.

Bidders must examine the Plans, Specifications, and other Contract Documents and shall exercise their own judgment as to the nature and amount of the whole of the work to be done, and for the bid prices must assume all risk of variance, by whomsoever made, in any computation or statement of amounts or quantities necessary to complete the work in strict compliance with the Contract Documents.

Elevations of the ground are shown on the Plans and are believed to be reasonably correct, but are not guaranteed to be absolutely so and are presented only as an approximation. Bidders shall satisfy themselves as to the correctness of all elevations.

The City may have acquired, for its own use, certain information relating to the character of materials, earth formations, probable profiles of the ground, conditions below ground, and water surfaces to be encountered at the site of the proposed work. This information, if it exists, is on file at the offices of the Department of Public Works and Bidders will be permitted to see and examine this information for whatever value they consider it worth. However, this information is not guaranteed, and Bidders should satisfy themselves by making borings or test pits, or by such other methods as they may prefer, as to the character, location, and amounts of water, peat, clay, sand, quicksand, gravel, boulders, conglomerate, rock, gas or other material to be encountered or work to be performed.

Various underground and overhead structures and utilities are shown on the plans. The location and dimensions of such structures and utilities, where given, are believed to be reasonably correct, but do not purport to be absolutely so. These structures and utilities are plotted on the Plans for the information of the Bidders, but information so given is not to be construed as a representation or assurance that such structures will be found or encountered as plotted, or that such information is complete or accurate.

#### I-2.02 FORM, PREPARATION AND PRESENTATION OF PROPOSALS

Each Proposal shall be submitted upon the Proposal Form and in accordance with the instructions included herein. The Proposal Form must not be detached herefrom. All blank spaces for bid prices must be filled in, in both words and figures, with the unit or lump sum prices, or both, for which the Proposal is made. The computed total price for each unit price Contract Item shall be determined by multiplying the estimated quantity of the item, as set forth in the Proposal Form, by the corresponding unit price bid for such item. The resulting product shall be entered in the appropriate blank space under the column headed "Computed Total Price for Item". The lump sum price bid for each lump sum price Contract Item shall also be entered in the column headed "Computed Total Price for Item". If a Proposal contains any omissions, erasures, alterations, additions, or items not called for in the itemized Proposal, or contains irregularities of any kind, such may constitute sufficient cause for rejection of the Proposal. In case of any discrepancy in the unit price or amount bid for any item in the Proposal, the price as expressed in written words will govern. In no case is the Agreement Form to be filled out or signed by the Bidder.

In the case of certain jobs bid Lump Sum a "Schedule of Unit Prices" must be filled out as an attachment to the Lump Sum proposal. These prices may be used as a guide for the negotiation of change orders, at the City's option.

The proposal must be signed and certified and be presented on the prescribed form in a sealed envelope on/or before the time and at the place stated in the Notice of Bidders, endorsed with the name of the person, firm or corporation presenting it, the date of presentation, and the title of the work for which the Proposal is made.

Unless the apparent low bidder is now engaged in or has recently completed contract work for the City of Tampa, he, if requested, shall furnish to the City, after the opening of bids and prior to award, a summary statement of record of construction experience over the past three (3) years with proper supporting evidence, and, if required by the City, shall also furnish a list of equipment and other facilities pertinent to and available for the proper execution of the proposed work, and a statement of financial resources to the extent necessary to establish ability to carry on the proposed work. The City may make further investigations as considered necessary with respect to responsibility of the Bidder to whom it appears may be awarded the Contract.

If forwarded by mail, the sealed envelope containing the Proposal, endorsed as directed above, must be enclosed in another envelope addressed as specified in the Notice to Bidders and sent by registered mail.

#### I-2.03 ADDENDA AND INTERPRETATIONS

No interpretation of the meaning of the Plans, Specifications, or other Contract Documents will be made to any Bidder orally.

Every request for such interpretation must be in writing, addressed to the Contract Administration Department, Tampa Municipal Office Building, 4th Floor North, City Hall Plaza, Tampa, Florida 33602. To be given consideration, such request must be received at least seven (7) days prior to the date fixed for the opening of the Proposals. Any and all such interpretations and any supplemental instructions will be in the form of written addenda which, if issued, will be sent by certified mail, with return receipt requested, to all prospective bidders at the respective addresses furnished, for such purposes, not later than three (3) working days prior to the date fixed for the opening of the Proposals, and if requested, a copy will be delivered to the prospective bidder's representative. Failure of any Bidder to receive any such addenda shall not relieve said Bidder from any obligation under his Proposal as submitted. All addenda so issued shall become part of the Contract Documents.

#### I-2.04 BID SECURITY

Each Proposal must be accompanied by a certified or cashier's check issued by a solvent bank or trust company and payable at sight to the City of Tampa, in compliance with Section 255.051 Florida Statutes, or a Bid Bond upon the form provided herein, in an amount of not less than five percent of the sum of the computed total amount of the Bidder's Proposal as a guarantee that if the Proposal is accepted, the Bidder will execute and fill in the proposed Contract and Public Construction Bond within twenty (20) days after notice of award of the Contract. Certified checks shall have all necessary documentary revenue stamps attached if required by law. Surety on Bid Bonds shall be a duly authorized surety company authorized to do business in the State of Florida, and all such Bonds shall be issued or countersigned by a local resident producing agent, and satisfactory evidence of the authority of the person or persons executing such Bond to Execute the same shall be submitted with the Bond. Bid Bonds shall be issued by a surety company acceptable to the City.

Within ten (10) days after the opening of Proposals, the bid security of all but the three lowest Bidders will be returned. The bid security of the remaining two Bidders whose Proposals are not accepted will be

returned within ten (10) days after the execution of the Contract, or, if no such Contract has been executed, within ninety (90) days after the date of opening Proposals. The bid security of the Bidder whose Proposal is accepted will be returned only after he has duly executed the Contract and furnished the required Public Construction Bond and insurance.

Should it be necessary for the City to retain the bid security and said bid security is in the form of checks, the checks of these Bidders will be returned if replaced by Bid Bonds in an amount equal to the amount of the checks of such Bidders in such form and issued by a surety company acceptable to the City.

A Bidder may withdraw his Proposal before the time fixed for the opening of Proposals, without prejudice to himself, by communicating his purpose, in writing, to the Mayor and City Council, and when his communication is received, the Proposal will be handed to him or his authorized agent unopened. No Bidder may withdraw his Proposal within ninety (90) days after the day of opening Proposals.

The Bidder whose Proposal is accepted shall enter into a written contract, upon the Agreement form included herein, for the performance of the work and furnish the required Public Construction Bond within twenty (20) days after written notice by the City of Award of Contract has been served on such Bidder personally or after receipt of the written notice by registered mail to such Bidder at the address given in his Proposal.

If the Bidder to whom a Contract is awarded refuses or neglects to execute it or fails to furnish the required Public Construction Bond within twenty (20) days after receipt by him of the Notice of Award of Contract, the amount of his bid security shall be forfeited and shall be retained by the City as liquidated damages, and not as a penalty, it being now agreed that said sum is a fair estimate of the amount of damages that the City will sustain in case said Bidder fails to enter into a Contract and furnish the required Public Construction Bond. If a Bid Bond was furnished, the full amount of the Bond shall become due and payable as liquidated damages caused by such failure. The full amount of the bid security shall be forfeited as liquidated damages without consideration of the fact that an award may be less than the full amount of the Bidder's Proposal, excepting that the award shall be within the conditions of said Proposal relating to the basis of consideration for an award. No plea of mistake in the bid or misunderstanding of the conditions of forfeiture shall be available to the Bidder for the recovery of his deposit or as a defense to any action based upon the neglect or refusal to execute a contract.

#### I-2.05 LAWS AND REGULATIONS

The Bidder who is awarded the Contract must comply with all laws of the State of Florida, and all applicable Ordinances of the City of Tampa respecting labor and compensation and with all other statutes, ordinances, rules and regulations applicable and having the force of law.

#### I-2.06 PUBLIC CONSTRUCTION BOND

The Bidder who is awarded the Contract will be required to furnish a Public Construction Bond upon the form provided herein, equal to 100 percent of the Contract price, such Bond to be executed by a surety company acceptable to the City of Tampa and licensed to underwrite contracts in the State of Florida. Surety companies shall have a rating of not less than: B+ Class VI as evaluated in the most recently circulated BEST'S KEY RATING GUIDE PROPERTY-LIABILITY.

#### I-2.07 SIGNATURE AND QUALIFICATIONS OF BIDDERS

Proposals must be signed in ink by the Bidder with signature in full. When a firm is a Bidder, the Proposal shall be signed in the name of the firm by one or more of the partners. When a corporation is a Bidder the officer signing shall set out the corporate name in full beneath which he shall sign his name and give the title of his office. The Proposal shall also bear the seal of the corporation attested by its secretary. Anyone signing the Proposal as agent must file with it legal evidence of his authority to do so.

Bidders who are nonresident corporations shall furnish to the City a

duly certified copy of their permit to transact business in the State of Florida, signed by the Secretary of State, within ten days of the notice to do so. Such notice will be given to Bidders who are nonresident corporations, to whom it appears an award will be made, and the copy of the permit must be filed with the City before the award will be made. Failure to promptly submit this evidence of qualification to do business in the State of Florida may be basis for rejection of the Proposal.

#### I-2.08 REJECTION OF PROPOSALS

The City reserves the right to reject any Proposal if investigation of the Bidder fails to satisfy the City that such Bidder is properly qualified to carry out the obligations and to complete the work contemplated therein. Any or all Proposals will be rejected if there is reason to believe that collusion exists among Bidders. Proposals will be considered irregular and may be rejected if they show serious omissions, alterations in form, additions not called for, conditions or unauthorized alternates, or irregularities of any kind. The City reserves the right to reject any or all Proposals and to waive such technical errors as may be deemed best for the interests of the City.

#### I-2.09 QUANTITIES ESTIMATED ONLY

The estimate of quantities of the various items of work and materials, if set forth in the Proposal Form, is approximate only and is given solely to be used as a uniform basis for the comparison of Proposals.

The quantities actually required to complete the Contract work may be less or more than so estimated, and if awarded a Contract for the work specified, the Contractor agrees that he will not make any claim for damages or for loss of profits because of a difference between the quantities of the various classes of work assumed for comparison of Proposals and quantities of work actually performed. The City further reserves the right to vary the quantities in any amount.

#### I-2.10 COMPARISON OF PROPOSALS

Except jobs bid on a "One Lump Sum" basis, proposals will be compared on the basis of a total computed price arrived at by taking the sum of the estimated quantity of each item and the corresponding unit price of each item, and including any lump sum prices on individual items.

The computed total prices for individual Contract Items and the total computed price for the entire Contract, as entered by the Bidder in the Proposal Form, are for convenience only and are subject to correction in the tabulation and computation of the Proposals.

#### I-2.11 BASIS OF AWARD

The Contract will be awarded, if at all, to the lowest responsible Bidder or Bidders, as determined by the City and by the terms and conditions of the Contract Documents. Unless all bids are rejected, the award will be made within ninety (90) days after the opening of Proposals. The successful Bidder will be required to possess, or obtain, a valid City Occupational License.

#### I-2.12 INSURANCE REQUIRED

The successful Bidder and his subcontractors will be required to procure and pay for insurance covering the work in accordance with the provisions of Article 6.02 of the Agreement as indicated on special instructions pages beginning with INS-1.

#### I-2.13 NO ASSIGNMENT OF BID

No Bidder shall assign his bid or any rights thereunder.

#### I-2.14 NONDISCRIMINATION IN EMPLOYMENT

Contracts for work under this Proposal will obligate the contractors and subcontractors not to discriminate in employment practices.

Bidders must, if requested, submit with their initial bid a signed statement as to whether they have previously performed work subject to the President's Executive Order Nos. 11246 and 11375.

Bidders must, if requested, submit a compliance report concerning their employment practices and policies in order to maintain their eligibility to receive the award of the Contract.

Successful Bidders must, if requested, submit a list of all subcontractors who will perform work on the project and written,

signed statement from authorized agents of the labor pools with which they will or may deal for employees on the work together with supporting information to the effect that said labor pools practices and policies are in conformity with Executive Order No. 11246 and that said labor pools will affirmatively cooperate in or offer no hindrance to the recruitment, employment and equal treatment of employees seeking employment and performing work under the Contract, or a certification as to what efforts have been made to secure such statements when such agents or labor pools have failed or refused to furnish them prior to the award of the Contract.

#### I-2.15 LABOR STANDARDS

The Bidder's attention is directed to the Contract Provisions of the Labor Standards for federally assisted projects which may be attached to and made a part of the Agreement.

#### I-2.16 NOTICE TO LABOR UNIONS

If applicable, the successful Bidder will be required to provide Labor Unions and other organizations of workers a completed copy of the form entitled "Notice to Labor Unions or Other Organizations of Workers", and such form may be made a part of the Agreement.

#### I-2.17 NOTICE TO PROSPECTIVE FEDERALLY-ASSISTED CONSTRUCTION CONTRACTORS

A Certification of Nonsegregated Facilities, as required by the May 9, 1967, Order (32 F.R. 7439, May 19, 1967) on Elimination of Segregated Facilities, by the Secretary of Labor, must be submitted to said Secretary prior to the award of a federally-assisted construction and Contract exceeding \$10,000 which is not exempt from the provisions of the Equal Opportunity Clause. The form of certification may be bound herein following the form of Bid Bond.

Contractors receiving federally-assisted construction Contract awards exceeding \$10,000 which are not exempt from the provisions of the Equal Opportunity Clause will be required to provide for the forwarding of the following notice to prospective subcontractor for supplies and construction contracts where the subcontracts exceed \$10,000 and are not exempt from the provisions of the Equal Opportunity Clause:

#### NOTICE TO PROSPECTIVE SUBCONTRACTORS OF REQUIREMENT FOR CERTIFICATIONS OF NONSEGREGATED FACILITIES

"A Certification of Nonsegregated Facilities, as required by the May 9, 1967, Order (32 F.R. 7439, May 19, 1967) on Elimination of Segregated Facilities, by the Secretary of Labor, must be submitted prior to the award of a subcontract exceeding \$10,000 which is not exempt from the provisions of the Equal Opportunity Clause."

"Contractors receiving subcontract awards exceeding \$10,000 which are not exempt from the provisions of the Equal Opportunity Clause will be required to provide from the forwarding of this notice to prospective subcontractors for supplies and construction contracts where the subcontracts exceed \$10,000 and are not exempt from the provisions of the Equal Opportunity Clause."

The United States requires a pre-award conference if a proposed construction contract exceeds one million dollars to determine if the the prospective contractor is in compliance with the Equal Employment Opportunity requirements of Executive Order 11246 of September 24, 1965. In such instances, a meeting may be scheduled at which the prospective contractor must specify what affirmative action he has taken or proposed to take to assure equal employment opportunity which must be approved by the United States before award of the contract will be authorized.

Bidders must be prepared to submit an Equal Employment Opportunity (EEO) plan at a pre-award conference. The plan must include bidding opportunities offered by the Bidder to minority subcontractors.

On October 13, 1971, President Nixon issued Executive Order 11246 emphasizing the government's commitment to the promotion of minority business enterprise. Accordingly, the United States is firmly

committed to the utilization of available resources to support this important program. U.S. agencies are most interested in realizing minority participation on the subject. Achieving equal employment opportunity compliance is required through Executive Order 11246. WE cannot emphasize too strongly that minority subcontractors be extended subcontractors bidding opportunities as but one step in your affirmative action policy.

Due to the importance of this contract, U.S. Agencies may conduct an EEO Conference prior to the award of the Contract. It is suggested that the responsive Bidder confirm the minority subcontractors he contacted for bids or quotations in his EEO plan submitted at the conference.

#### I-2.18 EEO AFFIRMATIVE ACTION REQUIREMENTS

By the submission of a Proposal, each Bidder acknowledges that he understands and will agree to be bound by the equal opportunity requirements of Federal regulations which shall be applicable throughout the performance of work under any contract awarded pursuant to solicitation. Each Bidder agrees that if awarded a contract, he will similarly bind contractually each subcontractor. In policies, each Bidder further understands and agrees that if awarded a contract, he must engage in Affirmative Action directed to promoting and ensuring equal employment opportunity in the work force used under the contract (and he must require contractually the same effort of all subcontractors whose subcontracts exceed \$100,000). The Bidder understands and agrees that "Affirmative Action" as used herein shall constitute a good faith effort to achieve and maintain minority employment in each trade in the on-site work force used on the project. \*\*\*\*\* END of SECTION \*\*\*\*\*

## CITY OF TAMPA INSURANCE REQUIREMENTS

During the life of the award/contract the Awardee/Contractor shall provide, pay for, and maintain insurance with companies authorized to do business in Florida, with an A.M. Best rating of B+ (or better) Class VII (or higher), or otherwise be acceptable to the City if not rated by A.M. Best. All insurance shall be from responsible companies duly authorized to do business in the State of Florida.

All commercial general liability insurance policies (and Excess or Umbrella Liability Insurance policies, if applicable) shall provide that the City is an additional insured as to the operations of the Awardee/Contractor under the award/contract including the additional insured endorsement, the subrogation waiver endorsement, and the Severability of Interest Provision. In lieu of the additional named insured requirement, if the Awardee/Contractor's company has a declared existing policy which precludes it from including additional insureds, the City may permit the Contractor to purchase an Owners and Contractors Protective Liability policy. Such policy shall be written in the name of the City at the same limit as is required for General Liability coverage. The policy shall be evidenced on an insurance binder which must be effective from the date of issue until such time as a policy is in existence and shall be submitted to the City in the manner described below as applicable to certificates of insurance.

The insurance coverages and limits required must be evidenced by a properly executed Acord 25 Certificate of Insurance form or its equivalent. Each Certificate must be personally manually signed by the Authorized Representative of the insurance company shown in the Certificate with proof that he/she is an authorized representative thereof. Thirty days' written notice must be given to the City of any cancellation, intent not to renew, or reduction in the policy coverages, except in the application of the aggregate liability limits provisions. Should any aggregate limit of liability coverage be reduced, it shall be immediately increased back to the limit required by the contract. The insurance coverages required herein are to be primary to any insurance carried by the City or any self-insurance program thereof.

The following coverages are required:

A. Commercial General Liability Insurance shall be provided on the most current Insurance Services Office (ISO) form or its equivalent. This coverage must be provided to cover liability arising from premises and operations, independent contractors, products and completed operations, personal and advertising injury, contractual liability, and XCU exposures (if applicable). Completed operations liability coverage shall be maintained for a minimum of one-year following completion of work. The amount of Commercial General Liability insurance shall not be less than the amount specified.

(a) \$1,000,000 per occurrence and a \$2,000,000 general aggregate for projects valued at \$2,000,000 or less. General aggregate limit for projects over that price shall equal or exceed the price of the project. An Excess or Umbrella Liability insurance policy can be provided to meet the required limit. Risk Management may be contacted for additional information regarding projects of this nature.

B. Automobile Liability Insurance shall be maintained in accordance with the laws of the State of Florida, as to the ownership, maintenance, and use of all owned, non-owned, leased, or hired vehicles. The amount of Automobile Liability Insurance shall not be less than the amount specified.

(a) \$500,000 combined single limit each occurrence bodily injury & property damage- for projects valued at \$100,000 and under

(b) \$1,000,000 combined single limit each occurrence bodily injury & property damage – for projects valued over \$100,000

C. Worker's Compensation and Employer's Liability Insurance shall be provided for all employees engaged in the work under the contract, in accordance with the Florida Statutory Requirements. The amount of the Employer's Liability Insurance shall not be less than:

(a) \$500,000 bodily injury by accident and each accident, bodily injury by disease policy limit, and bodily injury by disease each employee – for projects valued at \$100,00 and under

(b) \$1,000,000 bodily injury by accident and each accident, bodily injury by disease policy limit, and bodily injury by disease each –for projects valued over \$100,000

D. Excess Liability Insurance or Umbrella Liability Insurance may compensate for a deficiency in general liability, automobile, or worker's compensation insurance coverage limits. If the Excess or Umbrella policy is being provided as proof of coverage, it must name the City of Tampa as an additional insured (**IF APPLICABLE**).

E. Builder's Risk Insurance, specialized policy designed to cover the property loss exposures that are associated with construction of buildings. The amount of coverage should not be less than the amount of the project. **(IF APPLICABLE)**.

F. Installation Floater- a builder's risk type policy that covers specific type of property during its installation, is coverage required for highly valued equipment or materials such as compressors, generators, or other machinery that are not covered by the builder's risk policy **(IF APPLICABLE)**.

G. Longshoreman's & Harbor Worker's Compensation Act/Jones Act coverage shall be maintained for work being conducted upon navigable water of the United States. The limit required shall be the same limit as the worker's compensation/employer's liability insurance limit **(IF APPLICABLE)**.

H. Professional Liability shall be maintained against claims of negligence, errors, mistakes, or omissions in the performance of the services to be performed and furnished by the Awardee/Contractor or any of its subcontractors when it acts as a DESIGN PROFESSIONAL. The amount of coverage shall be no less than amount specified **(IF APPLICABLE)**.

(a) \$1,000,000 per incident and general aggregate. Note all claims made policies must provide the date of retroactive coverage.

The City may waive any or all of the above referenced insurance requirements based on the specific nature of goods or services to be provided under the award/contract.

ADDITIONAL INSURED - The City must be included as an additional insured by on the general and (Excess or Umbrella liability policies) if applicable. Alternatively, the Contractor may purchase a separate owners protective liability policy in the name of the City in the specified amount as indicated in the insurance requirements.

CLAIMS MADE POLICIES - If any liability insurance is issued on a claims made form, Contractor agrees to maintain uninterrupted coverage for a minimum of one year following completion and acceptance of the work either through purchase of an extended reporting provision, or through purchase of successive renewals with a retroactive

date not later than the beginning of performance of work for the City. The retroactive date must be provided for all claims made policies.

CANCELLATION/NON-RENEWAL - Thirty (30) days written notice must be given to the City of any cancellation, intent to non-renew or material reduction in coverages (except aggregate liability limits). However, ten (10) days notice may be given for non-payment of premium. Notice shall be sent to the City of Tampa Department of Public Works, 306 E. Jackson Street, Tampa, FL 33602.

NUMBER OF POLICIES - General and other liability insurance may be arranged under single policies for the full amounts required or by a combination of underlying policies with the balance provided by an excess or umbrella liability insurance policy.

WAIVER OF SUBROGATION - Contractor waives all rights against City, its agents, officers, directors and employees for recovery of damages to the extent such damage is covered under the automobile or excess liability policies.

SUBCONTRACTORS - It is the Contractor's responsibility to require all subcontractors to maintain adequate insurance coverage.

PRIMARY POLICIES - The Contractor's insurance is primary to the City's insurance or any self insurance program thereof.

RATING - All insurers shall be authorized to do business in Florida, and shall have an A.M. Best rating of B+ (or better), Class VII (or higher), or otherwise be acceptable to the City if not rated by A.M. Best.

DEDUCTIBLES - The Contractor is responsible for all deductibles. In the event of loss which would have been covered but for the presence of a deductible, the City may withhold from payment to Contractor an amount equal to the deductible to cover such loss should full recovery not be obtained under the insurance policy.

INSURANCE ADJUSTMENTS - These insurance requirements may be increased, reduced, or waived at the City's sole option with an appropriate adjustment to the Contract price.

Document updated on 12/22/2009 by RLD (Risk Management)

SOLICITATION FOR SUBCONTRACTOR QUOTES

From:  
OUR COMPANY NAME:  
TELEPHONE NUMBER:  
ADDRESS:  
FAX NUMBER:  
E-MAIL ADDRESS:

To Subcontractor:

Our firm is in the process of preparing a bid for a **City of Tampa Contract**. Please accept this notice as our request for quotes for the scope of work identified below. Please respond to this request by filling in the information below and returning via e-mail or fax to the address or number provided. Please contact us if you need any assistance in obtaining bonding, lines of credit, insurance, assistance in obtaining necessary equipment, supplies, materials, participation in a City-sponsored mentor-protégé program, or if you have any questions.

Plans and Specs for this project are posted at:  
[http://www.tampagov.net/dept\\_contract\\_administration/programs\\_and\\_services/construction\\_project\\_bidding/](http://www.tampagov.net/dept_contract_administration/programs_and_services/construction_project_bidding/)

CONTRACT NO.:  
CONTRACT NAME:  
CITY'S BID OPENING DATE:  
DEADLINE FOR YOUR SUBCONTRACTOR BID OR RESPONSE:  
SPECIFIC SCOPE OF WORK:

Please complete and submit with your subcontract bid or response:

YOUR FIRM'S NAME:  
MAILING ADDRESS:  
CITY:  
STATE:  
ZIP:  
FAX NUMBER:  
E-MAIL ADDRESS:

Yes, my company is interested in quoting this project for the following items of work:

No, my company will not quote this project for the following reason(s):

(Sample Suggested Sub Solicitation 3-9-9 Tampa MBDO)

Contract 10-C-00016; La Casa Subdivision Alley Project

PROPOSAL

To the Mayor and City Council of the City of Tampa, Florida:

Name of Bidder \_\_\_\_\_

Business Phone Number \_\_\_\_\_

Business Name and Mailing Address \_\_\_\_\_

Phone Number and Name of Contact Regarding Permits \_\_\_\_\_

Contractor/Qualifiers Name and Federal Identification Number \_\_\_\_\_

Date of Proposal \_\_\_\_\_

(If Bidder is a firm, fill in the following blanks):

Names and Residential Addresses of Partners \_\_\_\_\_

\_\_\_\_\_  
\_\_\_\_\_

(If Bidder is a corporation, fill in the following blanks):

Organized under the laws of the State of \_\_\_\_\_

Names and Address of President \_\_\_\_\_

\_\_\_\_\_  
\_\_\_\_\_

Name and Address of Vice President \_\_\_\_\_

\_\_\_\_\_  
\_\_\_\_\_

Name and Address of Secretary \_\_\_\_\_

\_\_\_\_\_  
\_\_\_\_\_

Names and Address of Treasurer \_\_\_\_\_

\_\_\_\_\_  
\_\_\_\_\_

The above-named Bidder affirms and declares:

- (1) That the Bidder is of lawful age and that no other person, firm or corporation has any interest in this Proposal or in the Contract proposed to be entered into.
- (2) That this Proposal is made without any understanding, agreement or connection with any other person, firm, or corporation making Proposal for the same purposes, and is in all respects fair and without collusion or fraud.
- (3) That the Bidder is not in arrears to the City of Tampa, upon debt or contract, and is not a defaulter, as surety or otherwise, upon any obligation to the City of Tampa.
- (4) That no officer or employee or person whose salary is payable in whole or in part from the City Treasury is, shall be or become interested, directly or indirectly, as a contracting party, partner, stockholder, surety or otherwise, in this Proposal, or in the performance of the Contract, or in the supplies, materials, or equipment and work or labor to which it relates, or in any portion of the profits thereof.
- (5) That the Bidder has carefully examined the site of the work and that, from his own investigations, he has satisfied himself as to the nature and location of the work, the character, quality, and quantity of materials and the kinds and extent of equipment and other facilities needed for the performance of the work, the general and local conditions and all difficulties to be encountered, and all other items which may, in any way, affect the work or its performance.
- (6) That the Bidder  
\_\_\_\_\_ Has; Treasury Number \_\_\_\_\_  
\_\_\_\_\_ Has not  
(Check applicable box)  
previously performed work under the President's Executive Order Nos. 11246 and 11375.
- (7) That the undersigned, as Bidder, also declares that he has carefully examined and fully understands all the component parts of the Contract Documents and agrees that he will execute the Contract and finish the required Performance Bond and will completely perform the work in strict accordance with the terms of the Contract and the Contract Documents therein referred to for the following prices, to wit:

Contract Item No.	Estimated Quantity	Description and Price in Words	Computed Total Price for Item in Figures
BASE BID	LS	This includes the furnishing of all labor, equipment, and material for the construction of an asphalt alley, concrete curb, sidewalk, any allowances that may be listed in Section 01020, and with all associated work required for a complete project in accordance with the Contract Documents.	
		_____ _____ dollars	
		and _____ cents	
	(BASE BID)	LS	\$ _____

Computed Total Price In Words:

\_\_\_\_\_ dollars and \_\_\_\_\_ cents.

Computed Total Price in Figures: \$ \_\_\_\_\_

The bidder acknowledges that the following addenda have been received and that the changes covered by the addendum(s) have been taken into account in this proposal: #1 \_\_\_ #2 \_\_\_ #3 \_\_\_ #4 \_\_\_ #5 \_\_\_.

The bidder acknowledges the requirements of the City of Tampa's Equal Business Opportunity Program.

Bidder acknowledges that included in the various items of the proposal and the Total Bid Price are costs for complying with the Florida Trench Safety Act (90096), (Laws of Fla.) effective October 1, 1990. The bidder further identifies the costs to be summarized below:

	Trench Safety Measure (Description)	Unit of Measure (LF, SY)	Unit Quantity	Unit Cost	Extended Cost
A.	_____	_____	_____	_____	_____
B.	_____	_____	_____	_____	_____
C.	_____	_____	_____	_____	_____
D.	_____	_____	_____	_____	_____
				Total Cost \$	_____

Signed \_\_\_\_\_

Failure to complete the above may result in the bid being declared non-responsive.

Contract 10-C-00016; La Casa Subdivision Alley Project

Accompanying this Proposal is a certified check, cashier's check or Bid Bond (from included herein must be used) on the for at least five (5) percent of the total amount of the Proposal which check shall become the property of the

\_\_\_\_\_ of \_\_\_\_\_  
(Name of Bank or Surety) (City & State)

City of Tampa, or which bond shall become forthwith due and payable to the City of Tampa, if this Proposal shall be accepted by the City of Tampa and the undersigned shall fail to execute a contract with and to furnish the required Performance Bond and Payment Bond to the City of Tampa within twenty (20) days after the date of receipt of written Notice of Award by the City of Tampa to the undersigned so to do.

Dated \_\_\_\_\_, 2010

\_\_\_\_\_  
(Name of Bidder)

\_\_\_\_\_  
(Address of Bidder)

\_\_\_\_\_  
(Signature)

\_\_\_\_\_  
(Title)

Where Bidder is a Corporation:

Attest:

\_\_\_\_\_  
Secretary

AFFIX  
CORPORATE  
SEAL

(ACKNOWLEDGMENT OF PRINCIPAL)

STATE OF \_\_\_\_\_ )  
 ) SS:  
COUNTY OF \_\_\_\_\_ )

For a Corporation:

STATE OF \_\_\_\_\_  
COUNTY OF \_\_\_\_\_

The foregoing instrument was acknowledged before me this \_\_\_\_ of \_\_\_\_\_, 2010 by \_\_\_\_\_ of \_\_\_\_\_, a \_\_\_\_\_ corporation, on behalf of the corporation. He/she is \_\_\_\_ personally known or has \_\_\_\_ produced \_\_\_\_\_ as identification.

\_\_\_\_\_  
Notary

My Commission Expires:  
\_\_\_\_\_

For an Individual:

STATE OF \_\_\_\_\_  
COUNTY OF \_\_\_\_\_

The foregoing instrument was acknowledged before me this \_\_\_\_ of \_\_\_\_\_, 2010 by \_\_\_\_\_ who is \_\_\_\_ personally known to me or has \_\_\_\_ produced \_\_\_\_\_ as identification.

\_\_\_\_\_  
Notary

My Commission Expires:  
\_\_\_\_\_

For a Firm:

STATE OF \_\_\_\_\_  
COUNTY OF \_\_\_\_\_

The foregoing instrument was acknowledged before me this \_\_\_\_ of \_\_\_\_\_, 2010 by \_\_\_\_\_ who signed on behalf of the said firm. He/she is \_\_\_\_ personally known or has \_\_\_\_ produced \_\_\_\_\_ as identification.

\_\_\_\_\_  
Notary

My Commission Expires:  
\_\_\_\_\_  
\_\_\_\_\_

**Good Faith Effort Compliance Plan** for Small Local Business Subcontracting  
City of Tampa - Equal Business Opportunity Program

Contract \_\_\_\_\_ Bid Date \_\_\_\_\_

Bidder \_\_\_\_\_

Signature \_\_\_\_\_ Date \_\_\_\_\_

Name \_\_\_\_\_ Title \_\_\_\_\_

The following Compliance Plan is a true report of Good Faith Efforts made to accomplish subcontracting goals for Small Local Business Enterprises, SLBEs, on the referenced contract:

The goal for SLBE participation has been met or exceeded. See the DMI form reporting subcontractors to be utilized.  
(Check Box, if appropriate; the remainder of the Compliance Plan need not be reported.)

The goal for SLBE participation has not been met. The following is a recap of Good Faith Efforts made:  
(Check applicable boxes below. Enclose additional documents, and/or add remarks below as needed.)

- (1) Soliciting through reasonable and available means the interest of SLBEs that have the capability to perform the work of the contract. The Bidder or Contractor must solicit this interest within sufficient time to allow the SLBEs to respond. The Bidder or Contractor must take appropriate steps to follow up initial solicitations with interested SLBEs.  See DMI report forms for subcontractors solicited.  See enclosed supplemental data on solicitation efforts.  Remarks:
- (2) Providing interested SLBEs with adequate information about the plans, specifications, and requirements of the contract, including addenda, in a timely manner to assist them in responding to the solicitation.  See enclosed sample solicitation.  Remarks:
- (3) Negotiating in good faith with interested SLBEs that have submitted bids. Documentation of negotiation must include the names, addresses, and telephone numbers of SLBEs that were solicited; the date of each such solicitation; a description of the information provided regarding the plans and specifications for the work selected for subcontracting; and evidence as to why agreements could not be reached with SLBEs to perform the work. That there may be some additional costs involved in soliciting and using SLBEs is not a sufficient reason for a contractor's failure to meet the goals, as long as such costs are reasonable. Bidders are not required to accept higher quotes in order to meet the goal.  DMI subcontractor-utilized forms reflect successful negotiations  This project is of a low-bid nature and negotiations are limited to clarifications of scope and specifications.  See enclosed document.  Remarks:
- (4) Not rejecting SLBEs as being unqualified without sound reasons based on a thorough investigation of their capabilities. The SLBEs standing within its industry, membership in specific groups, organizations, or associations and political or social affiliations are not legitimate causes for rejecting or not soliciting bids to meet the goals.  Not applicable.  See attached explanation for rejection of a low-bidding subcontractor's bid.  Remarks:
- (5) Making a portion of the work available to SLBE subcontractors and suppliers and to select those portions of the work or material consistent with the available SLBE subcontractors and suppliers, so as to facilitate meeting the goal.  Sub-Contractors were allowed to bid on their own choice of work or trade without restriction to a pre-determined portion.  See enclosed comments.  Remarks:
- (6) Making good faith efforts, despite the ability or desire of a Bidder or Contractor to perform the work of a contract with its own organization. A Bidder or Contractor who desires to self-perform the work of a contract must demonstrate good faith efforts unless the goal has been met.  Sub-Contractors were not prohibited from submitting bids on work not usually sub-contracted.  Remarks:
- (7) Selecting portions of the work to be performed by SLBEs in order to increase the likelihood that the goals will be met. This includes, where appropriate, breaking out contract work items into economically feasible units to facilitate SLBE participation, even when the Bidder or Contractor might otherwise prefer to perform these work items with its own forces.  Sub-Contractors were allowed to bid on their own choice of work or trade without restriction to a pre-determined portion.  Sub-Contractors were not prohibited from submitting bids on work not usually sub-contracted.  See enclosed comments.  Remarks:
- (8) Making efforts to assist interested SLBEs in obtaining bonding, lines of credit, or insurance as required by the city or contractor.  See enclosed sample solicitation  see enclosed document.  Remarks:
- (9) Making efforts to assist interested SLBEs in obtaining necessary equipment, supplies, materials, or related assistance or services, including participation in a City-sponsored mentor-protégé program.  See enclosed sample solicitation.  See enclosed document.  Remarks:
- (10) Effectively using the services of the City and other organizations that provide assistance in the recruitment and placement of SLBEs.  See enclosed document.  The following services were used:

Other Supporting Good Faith Efforts:  See enclosed document.  Remarks:

## **Compliance Plan: Guidance For Meeting Good Faith Efforts**

1. All firms on the SLBE Goal Setting List must be solicited and documentation provided for email, fax, letters, phone calls, and other communication with the listed firms. The DMI Solicited and DMI-Utilized forms must be completed for all firms solicited or utilized. Other opportunities for subcontracting may be explored by consulting the City of Tampa and/or Hillsborough County certification listings of SLBE's.
2. Solicitation of SLBEs, via written or electronic notification, should provide specific information on the services needed, where plans can be reviewed and assistance offered in obtaining these, if required. Solicitations should be typically be sent a week or more before the bid date. Sample copies of the bidder's solicitations should be provided.
3. With any quotes received, a follow-up should be made whenever needed to confirm scope of work. For any SLBE low quotes rejected, an explanation should be provided detailing negotiation efforts.
4. If a low bid SLBE is rejected or deemed unqualified the contractor must provide an explanation and supporting documentation for this decision.
5. Prime should break down portions of work into economical feasible opportunities for subcontracting. The SLBE directory can be useful in identifying additional subcontracting opportunities and firms not listed in the "SLBE Goal Setting Firms List."
6. Contractor should not preclude SLBEs from bidding on any part of work, even if the Contractor can self-perform the work.
7. Contractor should avoid relying solely on subcontracting out work where availability is not sufficient to attain pre-determined goal.
8. In its solicitations, the Bidder should offer assistance to SLBEs in obtaining bonding, insurance, etc, if required of subcontractors by the City or Prime Contractor.
9. In its solicitation, the Bidder should offer assistance in obtaining equipment for a specific job to SLBEs, if needed.
10. Contractor should use the services offered by such agencies as the Minority Business Development Office of the City of Tampa, Hillsborough County and the NAACP Empowerment Center for the recruitment and placement of SLBEs.



## Instructions for completing The Sub-(Contractors/Consultants/ Suppliers) Solicited Form

This form must be submitted with all bids or proposals. All subcontractors solicited and subcontractors from whom unsolicited quotations were received must be included on this form. The instructions that directly follow are for the form heading information pertaining to the project and prime.

**Contract No.** This is the number assigned by the City of Tampa for the bid or proposal

**Contract Name.** This is the name of the contract assigned by the City of Tampa for the bid or proposal.

**Contractor Name.** The name of your business.

**Address.** The physical address of your business.

**Federal ID. FIN.** A number assigned to your business for tax reporting purposes.

**Phone.** Telephone number to contact business.

**Fax.** Fax number for business.

**Email.** Provide email address for electronic correspondence.

**No Subcontracting Opportunities existed for this Contract.** Checking the box indicates that your business will not use subcontractors and will self-perform all work. If during the administration of the contract you use subcontractors, the "Sub-(Contractors/Consultants/Suppliers) Payments" form must be submitted with your invoices.

**No Firms were contracted because.** Provide brief explanation as to why no subcontractor were used.

**See attached documents.** Check if you have provided any additional documentation relating to the payment data.

The following instructions are for information of any and all subcontractors solicited.

**SLBE.** Enter "S" for firms Certified by the City of Tampa as Small Local Business Enterprises. Change order.

**Federal ID. FIN.** A number assigned to a business for tax reporting purposes. This information is critical in proper identification of the subcontractor.

**Company Name, Address, Phone & Fax.** Provide company information for verification of payments.

**Type of Ownership.** Indicate the Ethnicity and Gender of the owner of the subcontracting business.

**Trade, Services, or Materials** Indicate the trade, service, or material provided by the subcontractor.

NIGP codes are listed at top section of document.

**Contract Method L=letter, F=fax, E=Email, P=Phone.** Indicate with letter the method of soliciting for bid.

**Quote or Resp. (response) Rec'd (received) Y/N.** Indicate "Y" Yes if you received a quotation or if you received a response to your solicitation. Indicate "N" No if you received no response to your solicitation from the subcontractor.

If any additional information is required or you have any questions, you may call the Minority Business Development Office at (813) 274-5522.



## **Instructions for completing The Sub-(Contractors/Consultants/ Suppliers) to be Utilized Form**

This form must be submitted with all bids or proposals if subcontracting will be performed. All subcontractors projected to be utilized must be included on this form.

**Contract No.** This is the number assigned by the City of Tampa for the bid or proposal

**Contract Name.** This is the name of the contract assigned by the City of Tampa for the bid or proposal.

**Contractor Name.** The name of your business.

**Address.** The physical address of your business.

**Federal ID. FIN.** A number assigned to your business for tax reporting purposes.

**Phone.** Telephone number to contact business.

**Fax.** Fax number for business.

**Email.** Provide email address for electronic correspondence.

**See attached documents.** Check if you have provided any additional documentation relating to the payment data.

The following instructions are for information of any and all subcontractors solicited.

**Federal ID. FIN.** A number assigned to a business for tax reporting purposes. This information is critical in proper identification of the subcontractor.

**SLBE.** Enter "S" for firms Certified by the City as Small Local Business Enterprises.

**Company Name, Address, Phone & Fax.** Provide company information for verification of payments.

**Type of Ownership.** Indicate the Ethnicity and Gender of the owner of the subcontracting business.

**Trade, Services, or Materials (NIGP code if Known)** Indicate the trade, service, or material provided by the subcontractor. NIGP codes are available at <http://www.tampagov.net/mbd>.

**Amount of Quote, Letters of Intent** (required for Women/Minority Business Enterprises)

**Percent of Contract.** Indicate the percent of the total contract price the subcontract(s) represent.

If any additional information is required or you have any questions, you may call the Minority Business Development Office at (813) 274-5522.

TAMPA BID BOND  
Contract 10-C-00016; La Casa Subdivision Alley Project

KNOW ALL MEN BY THESE PRESENTS, that we, \_\_\_\_\_

\_\_\_\_\_ (hereinafter called the Principal) and \_\_\_\_\_

(hereinafter called the Surety) a Corporation chartered and existing under the laws of the State of \_\_\_\_\_, with its principal offices in the City of \_\_\_\_\_, and authorized to do business in the State of Florida, are held and firmly bound unto the City of Tampa, a Municipal Corporation of Hillsborough County, Florida, in the full and just sum of 5% of the amount of the (Bid) (Proposal) good and lawful money of the United States of America, to be paid upon demand of the City of Tampa, Florida, to which payment will and truly be made we bind ourselves, our heirs, executors, administrators, successors, and assigns, jointly and severally and firmly these presents.

WHEREAS, the Principal is about to submit, or has submitted to the City of Tampa, Florida, a Proposal for the construction of certain facilities for the City designated Contract 10-C-00016, La Casa Subdivision Alley Project.

WHEREAS, the Principal desires to file this Bond in accordance with law, in lieu of a certified Bidder's check otherwise required to accompany this Proposal.

NOW, THEREFORE: The conditions of this obligation are such that if the Proposal be accepted, the Principal shall, within twenty (20) days after the date of receipt of written Notice of Award, execute a contract in accordance with the Proposal and upon the terms, conditions and price set forth therein, in the form and manner required by the City of Tampa, Florida and execute a sufficient and satisfactory Performance Bond and Payment Bond payable to the City of Tampa, Florida in an amount of one hundred percent (100%) of the total contract price, in form and with security satisfactory to said City, then this Bid Bond obligation is to be void; otherwise to be and remain in full force and virtue in law, and the Surety shall, upon failure of the Principal to comply with any or all of the foregoing requirements within the time specified above, immediately pay to the aforesaid City, upon demand, the amount thereof, in good and lawful money of the United States of America, not as a penalty, but as liquidated damages.

IN TESTIMONY THEREOF, the Principal and Surety have caused these presents to be duly signed and sealed this \_\_\_\_\_ day of \_\_\_\_\_, 2010.

Principal \_\_\_\_\_

BY \_\_\_\_\_

TITLE \_\_\_\_\_

BY \_\_\_\_\_

TITLE \_\_\_\_\_

Countersigned:  
(SEAL)

\_\_\_\_\_  
Local Resident Producing Agent

\_\_\_\_\_  
Local Resident Producing Agent's Address

\_\_\_\_\_  
Name of Local Agency

\_\_\_\_\_  
The addition of such phrases as "not to exceed" or like import shall render the (Bid) (Proposal) non-responsive.

AGREEMENT

For furnishing all labor, materials and equipment, together with all work incidental thereto, necessary and required for the performance of the work for the construction of Contract 10-C-00016 in accordance with your Proposal dated \_\_\_\_\_, amounting to a total of \$ \_\_\_\_\_ as completed in accordance with subsections I-2.09 and I-2.10 of the Instruction to Bidders.

THIS AGREEMENT, made and entered into in triplicate, this \_\_\_\_ day of \_\_\_\_\_, 2010, between the City of Tampa, Florida, hereinafter called the City, and hereinafter called the Contractor.

WITNESSETH that, in consideration of the mutual stipulations, agreements, and covenants herein contained, the parties hereto have agreed and hereby agree with each other, the Party of the First Part for itself, its successors and assigns, and the Party of the Second Part for itself, or himself, or themselves, and its successors and assigns, or his or their executors, administrators and assigns, as follows:

Contract 10-C-00016; La Casa Subdivision Alley Project, shall include, but not be limited to, construction of an asphalt alley, concrete curb, sidewalk with all associated work required for a complete project in accordance with the Contract Documents.

Contract Documents referred to in Article 1.01 of this Agreement also includes this volume, applicable standard drawings, the plans and any provisions referred to whether actually attached or not.

# TAMPA AGREEMENT

## SECTION 1 GENERAL

### ARTICLE 1.01 THE CONTRACT

Except for titles, subtitles, headings, running headlines, and tables of contents (all of which are printed herein merely for convenience), the following, except for such portions thereof as may be specifically excluded, constitute the Contract:

The Notice to Bidders;  
The Instructions to Bidders, including Special Instructions and General Instructions;  
The Proposal;  
The Bid Bond;  
The Certification of Nonsegregated Facilities;  
The Notice of Award;  
The Agreement;  
The Performance Bond;  
The Notice To Proceed;  
The Specifications, including the General Provisions, the Workmanship and Materials, the Specific Provisions or the Contract Items  
The Plans;  
All Supplementary Drawings Issued after award of the Contract;  
All Addenda issued by the City prior to the receipt of proposals;  
All provisions required by law to be inserted in this Contract, whether actually inserted or not.

### ARTICLE 1.02 DEFINITIONS

The following words and terms, or pronouns used in their stead, shall, wherever they appear in this Contract, be construed as follows, unless different meaning is clear from the context:

(a)"City" shall mean the City of Tampa, Florida, represented by its Mayor and City Council, Party of the First Part, or such other City official as shall be duly empowered to act for the City on matters relating to this Contract.

(b)"Contractor" shall mean the Party of the Second Part hereto, whether corporation, firm or individual, or any combination thereof, and its, their, or his successors, personal representatives, executors, administrators, and assigns, and any person, firm or corporation who or which shall at any time be substituted in the place of the Party of the Second Part under this Contract.

(c)"Engineer" shall mean the Director of the Department or his duly authorized representative.

(d)"Consultant" shall mean the engineering or architectural firm or individual employed by the City to consult with and advise the City in the construction of the project.

(e)"Surety" shall mean any person, firm or corporation that has executed as Surety the Contractor's Performance Bond securing the performance of this Contract.

(f)"The Work" shall mean everything expressly or implied required to be furnished and done by the Contractor under the Contract, and shall include both Contract Work

and Extra Work.

(g)"Contract Work" shall mean everything expressly or implied required to be furnished and done by the Contractor by any one or more of the Contract parts referred to in Article 1.01 hereof, except Extra Work, as hereinafter defined; it being understood that, in case of any inconsistency in or between any part or parts of this Contract, the Engineer shall determine which shall prevail.

(h)"Contract" or "Contract Documents" shall mean each of the various part of the Contract referred to in Article 1.01 hereof, both as a whole and severally.

(i)"Extra Work" shall mean work other than that required either expressly or implied by the contract in its present form.

(j)"Plans" shall mean only those drawings specifically referred to as such in these documents, or in any Addendum. Drawings issued after the execution of the Contract to explain further, or to illustrate, or to show changes in the work, will be known as "Supplementary Drawings" and shall be binding upon the Contractor with the same force as the Plans.

(k)"Specifications" shall mean all of the directions, requirements, and standards of performance applying to the work, as hereinafter detailed and designated as such, or which may be issued in an addendum.

(l)"Addendum or Addenda" shall mean the additional contract provisions issued in writing prior to the receipt of bids.

(m)"Notice" shall mean written notice. Notice shall be served upon the Contractor, either personally or by leaving the said notice at his residence or with any employee found on the work, or addressed to the Contractor at the residence or place of business given in his proposal and deposited in a postpaid wrapper in any post office box regularly maintained by the United States Post Office.

(n)"Project" shall mean the entire improvement package or related work. The "project" may consist of several different, but related, contracts.

(o)"Site" shall mean, and be limited to, the area upon or in which the Contractor's operations are carried on and such other appropriate areas as may be designed as such by the Engineer.

(p)"Subcontractor" shall mean any person, firm, or corporation, other than employees of the Contractor, who or which contracts with the Contractor to furnish, or actually furnishes labor, or labor and materials, or labor and equipment or labor, materials, and equipment at the site.

(q)Whenever in the Contract the words "directed", "required", "permitted", "ordered", "designated", "prescribed", and words of like import are used, they shall imply the direction, requirement, permission, order, designation, or prescription of the Engineer; and "approved", "acceptable", "satisfactory", "in the judgement of", and words of like import shall mean approved by, or acceptable to, or satisfactory to, or in the judgment of the Engineer.

(r)Whenever in the Contract the word "day" is used, it shall mean calendar day.

(s)"Final Acceptance" shall mean acceptance of the

work as evidenced by an official resolution of the City. Such acceptance shall be deemed to have taken place only if and when an approving resolution has been adopted by the City Council. The final acceptance shall be signed only after the City has assured itself by tests, inspection, or otherwise, that all of the provisions of the Contract have been carried out to its satisfaction.

(t)"Eastern Standard Time" shall be construed as the time being observed in the City on the day proposals are received or other documents issued or signed.

## **SECTION 2 POWERS OF THE CITY'S REPRESENTATIVES**

### **ARTICLE 2.01 THE ENGINEER**

It is covenanted and agreed that the Engineer, in addition to those matters elsewhere herein expressly made subject to his determination, direction, or approval, shall have the power, subject to such express provisions and limitations herein contained as are not in conflict herewith, and subject to review by the Mayor and City Council:

(a)To monitor the performance of the work.

(b)To determine the amount, kind, quality, sequence, and location of the work to be paid for hereunder and, when completed, to measure such work for payment.

(c)To determine all questions of an engineering character in relation to the work, to interpret the Plans, Specifications and Addenda.

(d)To determine how the work of this Contract shall be coordinated with the work of other contractors engaged simultaneously on this project.

(e)To make minor changes in the work as he deems necessary, provided such changes do not result in a net increase in the cost to the City or to the Contractor of the work to be done under the Contract.

(f)To amplify the Plans, add explanatory information and furnish additional Specifications and Drawings consistent with the intent of the Contract Documents.

The power of the Engineer shall not be limited to the foregoing enumeration, for it is the intent of this Contract that all of the work shall be subject to his determinations and approval, except where the determination or approval of someone other than the Engineer is expressly called for herein and except as subject to review by the Mayor and City Council. All orders of the Engineer requiring the Contractor to perform work as Contract work shall be promptly obeyed by the Contractor.

The Engineer shall not, however, have the power to issue an extra work order, and the performance of such work on the order of the Engineer without previously obtaining written confirmation thereof from the Mayor in accordance with Article 7.02 hereof may constitute a waiver of any right to extra compensation therefor. The Contractor is warned that the Engineer has no power to change the terms and provisions of this Contract, except minor changes where such change results in no net increase in the Contract Price.

### **ARTICLE 2.02 DIRECTOR**

The Director of the Department in addition to those matters

expressly made subject to his determination, direction or approval in his capacity as "Engineer", shall also have the power:

(a)To review any and all questions in relation to this Contract and its performance, except as herein otherwise specifically provided, and his determination upon such review shall be final and conclusive upon the Contractor.

(b)With the approval of the Mayor and City Council to authorize modifications or changes in the Contract so as to require: (1) the performance of extra work, or (2) the omission of Contract work whenever he deems it in the interest of the City to do so, or both.

(c)To suspend the whole or any part of the work whenever, in his judgment, such suspension is required: (1) in the interest of the City generally, or (2) to coordinate the work of the various Contractors engaged on this project, or (3) to expedite the completion of the entire project, even though the completion of this particular Contract may be thereby delayed, without compensation to the Contractor for such suspension other than extending the time for the completion of the work, as much as it may have been, in the opinion of the City, delayed by such a suspension.

(d)If, before the final acceptance of all the work contemplated herein, it shall be deemed necessary to take over, use, occupy, or operate any part of the completed or partly completed work, the Engineer shall have the right to do so and the Contractor will not, in any way, interfere with or object to the use, occupation, or operation of such work by the City after receipt of notice in writing from the Engineer that such work or part thereof will be used by the City on and after the date specified in such notice. Such taking over, use, occupancy or operation of any part of the completed or partially completed work shall not constitute final acceptance or approval of any such part of the work.

### **ARTICLE 2.03 NO ESTOPPEL**

The City shall not, nor shall any department, officer, agent, or employee thereof, be bound, precluded, or estopped by any determination, decision, acceptance, return, certificate, or payment made or given under or in connection with this Contract by any officer, agent or employee of the City at any time either before or after final completion and acceptance of the work and payment therefor: (a) from showing the true and correct classification, amount, quality, or character of the work done, or that any determination, decision, acceptance, return certificate or payment is untrue, incorrect or improperly made in any particular, or that the work or any part thereof does not in fact conform to the requirements of the Contract Documents, and (b) from demanding and recovering from the Contractor any overpayments made to him or such damages as it may sustain by reason his failure to comply with the requirements of the Contract of Documents, or both.

### **ARTICLE 2.04 NO WAIVER OF RIGHTS**

Neither the inspection, nor any order, measurements or certificate of the City or its employees, officers, or agents, nor by any order of the City for payment of money, nor any money, nor payments for or acceptance of the whole or any part of the work by the City, nor any extension of time, nor any changes in the Contract, Specifications or Plans, nor any possession by the City or its employees shall operate as a

waiver of any provisions of this Contract, nor any power herein provided nor shall any waiver of any breach of this Contract be held as a waiver of any other subsequent breach.

Any remedy provided in this Contract shall be taken and construed as cumulative, namely, in addition to each and every other suit, action, or legal proceeding. The City shall be entitled as of right to an injunction against any breach of the provisions of this Contract.

### **SECTION 3 PERFORMANCE OF WORK**

#### **ARTICLE 3.01 CONTRACTOR'S RESPONSIBILITY**

The Contractor shall do all the work and furnish, at his own cost and expense, all labor, materials, equipment, and other facilities, except as herein otherwise provided, as may be necessary and proper for performing and completing the work under this Contract. The Contractor shall be responsible for the entire work until completed and finally accepted by the City.

The work shall be performed in accordance with the true intent and meaning of the Contract Documents. Unless otherwise expressly provided, the work must be performed in accordance with the best modern practice, with materials as specified and workmanship of the highest quality, all as determined by and entirely to the satisfaction of the Engineer.

Unless otherwise expressly provided, the means and methods of construction shall be such as the Contractor may choose, subject, however, to the approval of the Engineer. Only adequate and safe procedure, methods, structures and equipment shall be used. The Engineer's approval or the Engineer's failure to exercise his right thereon shall not relieve the Contractor of obligations to accomplish the result intended by the Contract, nor shall such create a cause of action for damages.

#### **ARTICLE 3.02 COMPLIANCE WITH LAWS**

The Contractor must comply with all local, State and Federal laws, rules, ordinances and regulations applicable to this Contract and to the work done hereunder, and must obtain, at his own expense, all permits, licenses or other authorization necessary for the prosecution of the work.

No work shall be performed under this Contract on Sundays, legal holidays or after regular working hours without the express permission of the Engineer. Where such permission is granted, the Engineer may require that such work be performed without additional expense to the City.

#### **ARTICLE 3.03 INSPECTION**

During the progress of the work and up to the date of final acceptance, the Contractor shall, at all times, afford the representatives of the City, the Florida Department of Environmental Regulation, and if applicable, the Federal Environmental Protection Agency and the Federal Department of Labor every reasonable, safe and proper facility for inspecting the work done or being done at the

site. The inspection of any work shall not relieve the Contractor of any of his obligations to perform proper and satisfactory work as herein specified. Finished or unfinished work found not to be in strict accordance with the Contract shall be replaced as directed by the Engineer, even though such work may have been previously approved and payment made therefor.

The City shall have the right to reject materials and workmanship which are defective or require their correction. Rejected work and materials must be promptly removed from the site, which must at all times be kept in a reasonably clean and neat condition.

Failure or neglect on the part of the City to condemn or reject bad or inferior work or materials shall not be construed to imply an acceptance of such work or materials, if it becomes evident at any time prior to the final acceptance of the work by the City. Neither shall it be construed as barring the City at any subsequent time from the recovery of damages of such a sum of money as may be needed to build anew all portions of the work in which inferior work or improper materials were used, wherever found.

Should it be considered necessary or advisable by the City at any time before final acceptance of the entire work to make examinations of work already completed, by removing or tearing out all or portions of such work, the Contractor shall, on request, promptly furnish all necessary facilities, labor, and material for that purpose. If such work is found to be defective in any material respect, due to the fault of the Contractor or his subcontractors, he shall defray all expenses of such examination and of satisfactory reconstruction. If, however, such work is found to meet the requirements of the Contract, the cost of examination and restoration of the work shall be considered an item of extra work to be paid for in accordance with the provisions of Article 7.02 hereof.

#### **ARTICLE 3.04 PROTECTION**

During performance and until final acceptance, the Contractor shall be under an absolute obligation to protect the finished and unfinished work against any damage, loss, or injury. The Contractor shall take proper precaution to protect the finished work from loss or damage, pending completion and the final acceptance of all the work included in the entire Contract, provided that such precaution shall not relieve the Contractor from any and all liability and responsibility for loss or damage to the work occurring before final acceptance by the City. Such loss or damage shall be at the risk of and borne by the Contractor, whether arising from acts or omissions of the Contractor or others. In the event of any such loss or damage, the Contractor shall forthwith repair, replace, and make good the work without extension of time therefor, except as may be otherwise provided herein.

The provisions of this Article shall not be deemed to create any new right of action in favor of third parties against the Contractor or the City.

#### **ARTICLE 3.05 PRESERVATION OF PROPERTY**

The Contractor shall preserve from damage all property along the line of the work, or which is in the vicinity of or is in anywise affected by the work, the removal or destruction of which is not called for by the Plans. This applies, but is not limited, to the public utilities, trees, lawn areas, building monuments, fences, pipe and underground structures, public streets (except natural wear and tear of streets resulting from legitimate use thereof by the Contractor), and wherever such property is damaged due to the activities of the Contractor, it shall be immediately restored to its original condition by the Contractor and at his own expense.

In case of failure on the part of the Contractor to restore such property, or make good such damage or injury, the City may, upon forty-eight (48) hour written notice, proceed to repair, rebuild, or otherwise restore such property as may be deemed necessary, and the cost thereof will be deducted from any monies due or which may become due the Contractor under this Contract. Nothing in this clause shall prevent the Contractor from receiving proper compensation for the removal, damage, or replacement of any public or private property not shown on the Plans, when this is made necessary by alteration of grade or alignment authorized by the Engineer, provided that such property has not been damaged through fault of the Contractor, his employees or agents.

**ARTICLE 3.06 BOUNDARIES**

The Contractor shall confine his equipment, apparatus, the storage of materials, supplies and apparatus of his workmen to the limits indicated on the plans, by law, ordinances, permits or direction of the Engineer.

**ARTICLE 3.07 SAFETY AND HEALTH REGULATIONS**

The Contractor shall comply with the Department of Labor Safety and Health Regulations for construction promulgated under the Occupational Safety and Health Act of 1970 (PL 91- 596) and under Section 107 of the Contract Work Hours and Safety Standards Act (PL91-54).

**ARTICLE 3.08 TAXES**

All taxes of any kind and character payable on account of the work done and materials furnished under this Contract shall be paid by the Contractor and shall be deemed to have been included in his bid. The laws of the State of Florida provide that sales and use taxes are payable by the Contractor upon the tangible personal property incorporated in the work and such taxes shall be paid by the Contractor and shall be deemed to have been included in his bid.

**ARTICLE 3.09 ENVIRONMENTAL CONSIDERATIONS**

The Contractor, in the performance of the work under this Contract, shall comply with all Local, State and Federal laws, statutes, ordinances, rules and regulations applicable to protection of the environment; and, in the event he violates any of the provisions of same, he shall be answerable to the Local, State and Federal agencies designated by law to protect the environment. In the event the City receives, from any of the environmental agencies, a citation which is occasioned by an act or omission of the Contractor or his

subcontractor or any officers, employees or agents of either, it is understood and agreed that the Contractor shall automatically become a party-respondent under said citation; and the City immediately shall notify the Contractor and provide him with a copy of said citation.

The Contractor shall comply with the requirements of the citation and correct the offending conditions(s) within the time stated in said citation and further shall be held fully responsible for all fines and/or penalties.

**SECTION 4  
TIME PROVISIONS**

**ARTICLE 4.01 TIME OF START AND COMPLETION**

The Contractor must commence work within thirty (30) days subsequent to the date of the receipt of the "Notice to Proceed" by the City unless otherwise provided in the Specific Provisions and Special Instructions. Time being of the essence of this Contract, the Contractor shall thereafter prosecute the work diligently, using such means and methods of construction as well as secure its full completion in accordance with the requirements of the Contract Documents no later than the date specified therefor, or on the date to which the time for completion may be extended.

The Contractor must complete the work covered by this Contract in the number of consecutive calendar days set forth in the Instructions to Bidders, unless the date of completion is extended pursuant to the provisions of Article 4.05 hereof.

The period for performance shall start from the date of signing of this Agreement by the City.

The actual date of completion will be established after a final inspection as provided in Article 4.07 hereof.

**ARTICLE 4.02 PROGRESS SCHEDULE**

To enable the work to be laid out and prosecuted in an orderly and expeditious manner, the Contractor shall submit to the Engineer a proposed progress schedule within fifteen (15) days after the award of this Contract.

The schedule shall state the Contract starting date, time for completion and date of completion and shall show the anticipated time of starting and completion of each of the various operations to be performed under this Contract, together with all necessary and appropriate information regarding sequence and correlation of work and an estimated time required for the delivery of all materials and equipment required for the work. The proposed schedule shall be revised as directed by the Engineer until finally approved by him, and, after such approval, shall be strictly adhered to by the Contractor. The approved progress schedule may be changed only with the written permission of the Engineer.

If the Contractor shall fail to adhere to the approved progress schedule or the schedule as revised, he shall promptly adopt such other or additional means and methods of construction as will make up for the time lost, and will assure completion in accordance with the contract time.

**ARTICLE 4.03 APPROVAL REQUESTS**

From time to time, as the work progresses and in the sequence indicated by the approved schedule, the Contractor must submit to the Engineer a specific request, in writing, for each item of information or approval required of him by the Contract. These requests must be submitted sufficiently in advance of the date upon which the information or approval is actually required by the Contractor to allow for the time the Engineer may take to act upon such submissions or resubmissions. The Contractor shall not have any right to an extension of time on account of delays due to his failure to submit his requests for the required information or the required approval in accordance with these requirements.

**ARTICLE 4.04 COORDINATION WITH OTHER CONTRACTORS**

During progress of the work, other Contractors may be engaged in performing other work on this project or on other projects on the site. In that event, the Contractor shall coordinate the work to be done hereunder with the work of such other Contractors in such manner as the Engineer may direct.

**ARTICLE 4.05 EXTENSION OF TIME**

If such an application is made, the Contractor shall be entitled to an extension of time for delay in completion of the work should the Contractor be obstructed or delayed in the commencement, prosecution or completion of any part of said work by any act or delay of the City, or by acts or omissions of other Contractors on this project, or by a riot, insurrection, war, pestilence, acts of public authorities, fire, lightning, hurricanes, earthquakes, tornadoes, floods, extremely abnormal and excessive inclement weather as indicated by the records of the local weather bureau for a five-year period preceding the date of the Contract, or by strikes, or other causes, which causes of delay mentioned in this Article, in the opinion of the City, are entirely beyond the expectation and control of the Contractor.

The Contractor shall, however, be entitled to an extension of time for such causes only for the number of days of delay which the City may determine to be due solely to such causes and only to the extent that such occurrences actually delay the completion of the project and then only if the Contractor shall have strictly complied with all of the requirements of Articles 4.01, 4.02, 4.03 and 4.04 hereof. It is hereby understood that the determination by the Engineer as to the order and sequence of the work shall not in itself constitute a basis for extension of time.

The determination made by the City on an application for an extension of time shall be binding and conclusive on the Contractor.

Delays caused by failure of the Contractor's materialmen, manufacturers, and dealers to furnish approved working drawings, materials, fixtures, equipment, appliances, or other fittings on time or failure of subcontractors to perform their work shall not constitute a basis of extension of time.

The Contractor agrees to make no claim for damages for delay in the performance of this Contract occasioned by any

act or omission to act of the City or any of its representatives or because of any injunction which may be brought against the City or its representatives and agrees that any such claim shall be fully compensated for by an extension of time to complete performance of the work as provided herein.

**ARTICLE 4.06 LIQUIDATED DAMAGES**

It is mutually agreed between the parties that time is the essence of this Contract and that there will be on the part of the City considerable monetary damage in the event the Contractor should fail to complete the work within the time fixed for completion in the Contract or within the time to which such completion may have been extended.

The amount per day set forth in the Instructions to Bidders is hereby agreed upon as the liquidated damages for each and every calendar day that the time consumed in completing the work under this Contract exceeds the time allowed.

This amount shall, in no event, be considered as a penalty or otherwise than as the liquidated and adjusted damages to the City because of the delay and the Contractor and his Surety agree that the stated sum per day for each such day of delay shall be deducted and retained out of the monies which may become due hereunder and if not so deductible, the Contractor and his Surety shall be liable therefor.

**ARTICLE 4.07 FINAL INSPECTION**

When the work has been completed in accordance with the requirements of the Contract and final cleaning up performed, a date for final inspection of the work by the Engineer shall be set by the Contractor in a written request therefor, which date shall be not less than ten (10) days after the date of such request. The work will be deemed complete as of the date so set by the Contractor if, upon such inspection, the Engineer determines that no further work remains to be done at the site.

If such inspection reveals interms of work still to be performed, however, the Contractor shall promptly perform them and then request a reinspection. If, upon such inspection, the Engineer determines that the work is complete, the date of final completion shall be deemed to be the last day of such reinspection.

**SECTION 5  
SUBCONTRACTS AND ASSIGNMENTS**

**ARTICLE 5.01 LIMITATIONS AND CONSENT**

The Contractor shall not assign, transfer, convey, sublet or otherwise dispose of this Contract or of his right, title, or interest therein, or his power to execute such Contract, or to assign any monies due or to become due thereunder to any other person, firm or corporation unless the previous written consent of the City shall first be obtained thereto and the giving of any such consent to a particular subcontract or assignment shall not dispense with the necessity of such consent to any further or other assignment.

Before making any subcontract, the Contractor must submit a

written statement to the Engineer, giving the name and address of the proposed contractor, the portion of the work and materials which he is to perform and furnish and any other information tending to prove that the proposed subcontractor has the necessary facilities, skill, integrity, past experience and financial resources to perform the work in accordance with the terms and conditions of this Contract.

If the City finds that the proposed subcontractor is qualified, the Contractor will be notified in writing. The City may revoke approval of any subcontractor when such subcontractor evidences an unwillingness or inability to perform his work in strict accordance with these Contract Documents. Notice of such revocation of approval will be given in writing to the Contractor.

The Contractor will promptly, upon request, file with the City a conformed copy of the subcontract. The Contractor shall cause appropriate provisions to be inserted in all subcontracts relative to the work to bind subcontractors to the Contractor by the terms of these Contract Documents, insofar as applicable to the work of subcontractors, and to give the Contractor the same power as regards terminating any subcontracts that the City may exercise over the Contractor under provisions of these Contract Documents.

The Contractor shall be required to perform with his own forces at least twenty-five (25) percent of the work, unless written consent to subcontract a greater percentage of the work is first obtained from the City.

**ARTICLE 5.02 RESPONSIBILITY**

The approval by the City of a subcontractor shall not relieve the Contractor of any of his responsibilities, duties, and liabilities hereunder. The Contractor shall be solely responsible to the City for the acts or defaults or omissions of his subcontractor and of such subcontractor's officers, agents, and employees, each of whom shall for all purposes be deemed to be the agent or employee of the Contractor. Nothing contained in the Contract Documents shall create any contractual relationship between any subcontractor and the City.

**SECTION 6  
SECURITY AND GUARANTY**

**ARTICLE 6.01 CONTRACT SECURITY**

The Contractor shall execute and deliver to the City a Performance Bond on the form as provided herein, in an amount at least equal to one hundred (100) percent of the full Contract price, such Bond to be executed by a surety company acceptable to the City. The surety on such Performance Bond shall be a surety company duly authorized to do business in the State of Florida, and the Bond shall be issued or countersigned by a local resident producing agent of such surety company who is a resident of the State of Florida, regularly commissioned and licensed in said State, and satisfactory evidence of the authority of the person or persons executing such Bond shall be submitted with the Bond. The Performance Bond shall serve as security for the faithful performance of this Contract, including

maintenance and guaranty provisions, and for the payment of all persons performing labor and furnishing materials in connection with the Contract. The premiums on the Performance Bond shall be paid by the Contractor.

If, at any time, the City shall become dissatisfied with any surety or sureties then upon the Performance Bond, or if for any other reason such bond shall cease to be adequate security for the City, the Contractor shall, within five days after notice so to do, substitute an acceptable Bond in such form and sum and signed by such other sureties as may be satisfactory to the City. The premiums on such Bond shall be paid by the Contractor. No further partial payments shall be deemed due or shall be made until the new sureties have qualified.

**ARTICLE 6.02 CONTRACTORS INSURANCE**

Insurance required shall be as indicated on Special Instructions pages beginning with "INS-1"

**ARTICLE 6.03 AGAINST CLAIMS AND LIENS**

The City may withhold from the Contractor as much as any approved payments to him as may, in the opinion of the City, be necessary to secure (a) just claims of any persons supplying labor or materials to the Contractor or any of his subcontractors for the work then due and unpaid; (b) loss due to defective work not remedied, or (c) liability, damage, or loss due to injury to persons or damages to the work or property of other contractors, subcontractors, or others, caused by the act or neglect of the Contractor or of any of his subcontractors. The City shall have the right, as agent for the Contractor, to apply any such amounts so withheld in such manner as the City may deem proper to satisfy such claims or to secure such protection. Such application of such money shall be deemed payments for the account of the Contractor.

**ARTICLE 6.04 MAINTENANCE AND GUARANTY**

The Contractor hereby guarantees all the work furnished under this Contract against any defects in workmanship and materials for a period of one year following the date of final acceptance of the work by the City. Under this guarantee, the Contractor hereby agrees to make good, without delay, at his own expense, any failure of any part of the work due to faulty materials or manufacture, construction, or installation, or the failure of any equipment to perform satisfactorily all the work put upon it within the limits of the Contract Documents, and further, shall make good any damage to any part of the work caused by such failure. It is hereby agreed that the Performance Bond shall fully cover all guarantees contained in this Article.

It is also agreed that all warranties, expressed or implied, inure to the benefit of the City and are enforceable by the City.

**SECTION 7  
CHANGES**

**ARTICLE 7.01 MINOR CHANGES**

The City reserves the right to make such additions, deductions, or changes to this Contract from time to time as

it deems necessary and in a manner not materially affecting the substance thereof or materially changing the price to be paid in order to carry out and complete more fully and perfectly the work herein agreed to be done and performed. This Contract shall in no way be invalidated by any such additions, deductions, or changes, and no claim by the Contractor shall be made for any loss of anticipated profits thereby.

Construction conditions may require that minor changes be made in the location and installation of the work and equipment to be furnished and other work to be performed hereunder, and the Contractor when ordered by the Engineer, shall make such adjustments and changes in said locations and work as may be necessary, without additional cost to the City, provided such adjustments and changes do not alter the character, quantity or cost of the work as a whole, and provided further that Plans and Specifications showing such adjustments and changes are furnished to the Contractor by the City within a reasonable time before any work involving such adjustment and changes is begun. The Engineer shall be the sole judge of what constitutes a minor change for which no additional compensation shall be allowed.

#### **ARTICLE 7.02 EXTRA WORK**

The City may at any time by a written order and without notice to the sureties require the performance of such extra work as it may find necessary or desirable. An order for extra work shall be valid only if issued in writing and signed by the Mayor and the work so ordered must be performed by the Contractor.

The amount of compensation to be paid to the Contractor for any extra work as so ordered shall be determined as follows:

(a) By such applicable unit prices, if any, as are set forth in the Proposal; or

(b) If no such unit prices are set forth then by a lump sum or other unit prices mutually agreed upon by the City and the Contractor; or

(c) If no such unit prices are set forth in the Proposal and if the parties cannot agree upon a lump sum or other unit prices then by the actual net cost in money to the Contractor of the extra work performed, which cost shall be determined as follows:

(1) For all labor and foreman in direct charge of the authorized operations, the Contractor shall receive the current local rate of wages to be agreed upon, in writing, before starting such work for each hour that said labor and foremen are actually engaged thereon, to which shall be added an amount equal to 25 percent of the sum thereof which shall be considered and accepted as full compensation for general supervision, FICA taxes, contributions under the Florida Unemployment Compensation Act, insurance, bond, subcontractor's profit and overhead, the furnishing of small tools and miscellaneous equipment used, such as picks, shovels, hand pumps, and similar items.

(2) For all materials used, the Contractor shall receive the actual cost of such materials delivered at the site or previously approved delivery point as established by original receipted bills. No percentage shall be added to this cost.

(3) For special equipment and machinery such as power-driven pumps, concrete mixers, trucks, and tractors, or other equipment, required for the economical performance of the authorized work, the Contractor shall receive payment based on the average local area rental price for each item of equipment and the actual time of its use on the work. No percentage shall be added to this sum.

(4) Records of extra work done under this procedure shall be reviewed at the end of each day by the Contractor or his representative and the Engineer. Duplicate copies of accepted records shall be made and signed by both Contractor or his representative and the Engineer, and one copy retained by each.

Request for payment for approved and duly authorized extra work shall be submitted in the same form as Contract work or in the case of work performed under paragraph (c) (1) above upon a certified statement supported by receipted bills. Such statement shall be submitted for the current Contract payment for the month in which the work was done.

#### **ARTICLE 7.03 DISPUTED WORK**

If the Contractor is of the opinion that any work required, necessitated, or ordered violates the terms and provisions of this Contract, he must promptly notify the Engineer, in writing, of his contentions with respect thereto and request a final determination thereof. If the Engineer determines that the work in question is Contract work and not extra work or that the order complained of is proper, he will direct the Contractor to proceed and the Contractor shall promptly comply. In order, however, to reserve his right to claim compensation for such work or damages resulting from such compliance, the Contractor must, within five (5) days after receiving notice of the Engineer's determination and direction, notify the City in writing that the work is being performed or that the determination and direction is being complied with under protest. Failure of the Contractor to notify shall be deemed as a waiver of claim for extra compensation or damages therefor.

Before final acceptance by the City, all matters of dispute must be adjusted to the mutual satisfaction of the parties thereto. Final determinations and decisions, in case any questions shall arise, shall constitute a condition precedent to the right of the Contractor to receive the money therefor until the matter in question has been adjusted.

#### **ARTICLE 7.04 OMITTED WORK**

The City may at any time by a written order and without notice to the sureties require the omission of such Contract work as it may find necessary or desirable.

An order for omission of work shall be valid only if signed by the Mayor and the work so ordered must be omitted by the Contractor. The amount by which the Contract price shall be reduced shall be determined as follows:

(a) By such applicable unit prices, if any, as are set forth in the Contract; or

(b) By the appropriate lump sum price set forth in the Contract; or

(c) By the fair and reasonable estimated cost to the City

of such omitted work as determined by the Engineer and approved by the City.

## **SECTION 8 CONTRACTOR'S EMPLOYEES**

### **ARTICLE 8.01 CHARACTER AND COMPETENCY**

The Contractor and his subcontractors shall employ upon all parts of the work herein contracted for only competent, skillful, and trustworthy workers. Should the Engineer at any time give notice, in writing, to the Contractor or his duly authorized representative on the work that any employee in his opinion is incompetent, unfaithful, disorderly, careless, unobservant of instructions, or in any way a detriment to the satisfactory progress of the work, such employee shall immediately be dismissed and not again allowed upon the site.

### **ARTICLE 8.02 SUPERINTENDENCE**

The Contractor shall give his personal supervision to the faithful prosecution of the work and in case of his absence shall have a competent, experienced, and reliable supervisor or superintendent, acceptable to the Engineer on the site who shall follow without delay all instructions of the Engineer in the prosecution and completion of the work and every part thereof, in full authority to supply workers, material, and equipment immediately. He shall keep on hand at all times copies of the Contract Documents.

### **ARTICLE 8.03 EMPLOYMENT OPPORTUNITIES**

The Contractor shall, in the performance of the work required to be done under this Contract, employ all workers without discrimination regarding race, creed, color, sex or national origin and must not maintain or provide facilities that are segregated on the basis of race, color, creed or national origin.

### **ARTICLE 8.04 RATES OF WAGES**

On federally assisted projects, the rates of wages to be paid under this Contract shall not be less than the rates of wages set forth in Section 12 of this Agreement.

On other projects, no wage rate determination is included. Florida's Prevailing Wage Law (Section 215.19, Florida Statutes) was repealed effective April 25, 1979.

### **ARTICLE 8.05 PAYROLL REPORTS**

The Contractor and each subcontractor shall, if requested to do so, furnish to the Engineer a duly certified copy of his payroll and also any other information required by the Engineer to satisfy him that the provisions of the law as to the hours of employment and rate of wages are being observed.

Payrolls shall be prepared in accordance with instructions furnished by the City and on approved forms. The Contractor shall not carry on his payroll any persons not employed by him. Subcontractor's employees shall be carried only on the payrolls of the employing subcontractor.

## **SECTION 9 CONTRACTOR'S DEFAULT**

### **ARTICLE 9.01 CITY'S RIGHT AND NOTICE**

It is mutually agreed that: (a) if the Contractor fails to begin work when required to do so, or (b) if at any time during the progress of the work it shall appear to the Engineer that the Contractor is not prosecuting the work with reasonable speed, or is delaying the work unreasonably and unnecessarily, or (c) if the force of workmen or quality or quantity of material furnished are not sufficient to insure completion of the work within the specified time and in accordance with the Specifications hereto attached, or (d) if the Contractor shall fail to make prompt payments for materials or labor or to subcontractors for work performed under the Contract, or (e) if legal proceedings have been instituted by others than the City in such manner as to interfere with the progress of the work and may subject the City to peril of litigation or outside claims of (f) if the Contractor shall be adjudged a bankrupt or make an assignment for the benefit of creditors, or (g) if in any proceeding instituted by or against the Contractor an order shall be made or entered granting an extension of time of payment, composition, adjustment, modification, settlement or satisfaction of his debts or liabilities, or (h) if a receiver or trustee shall be appointed for the Contractor or the Contractor's property, or (i) if the Contract or any part thereof shall be sublet without the consent of the City being first obtained in writing, or (j) if this Contract or any right, monies, or claim thereunder shall be assigned by the Contractor, otherwise than as herein specified, or (k) if the Contractor shall fail in any manner of substance to observe the provisions of this Contract, or (l) if any of the work, machinery, or equipment shall be defective, and shall not be replaced as herein provided, or (m) if the work to be done under this Contract shall be abandoned, then such fact or conditions shall be certified by the Engineer and thereupon the City without prejudice to any other rights or remedies of the City, shall have the right to declare the Contractor in default and so notify the Contractor by a written notice, setting forth the ground or grounds upon which such default is declared and the Contractor must discontinue the work, either as a portion of the work or the whole thereof, as directed.

### **ARTICLE 9.02 CONTRACTOR'S DUTY UPON DEFAULT**

Upon receipt of notice that his Contract is in default, the Contractor shall immediately discontinue all further operations on the work or such part thereof, and shall immediately quit the site or such part thereof, leaving untouched all plant, materials, equipment, tools, and supplies.

### **ARTICLE 9.03 COMPLETION OF DEFAULTED WORK**

The City, after declaring the Contractor in default, may then have the work completed or the defective equipment or machinery replaced or anything else done to complete the work in strict accordance with the Contract Documents by such means and in such manner, by Contract with or without public letting, or otherwise, as it may deem advisable,

utilizing for such purpose without additional cost to the City such of the Contractor's plant, materials, equipment, tools, and supplies remaining on the site, and also such subcontractors as it may deem advisable.

The City shall reimburse all parties, including itself, for the expense of such completion, including liquidated damages, if any, and the cost of reletting. The City shall deduct this expense from monies due or to become due to the Contractor under this Contract, or any part thereof, and in case such expense is more than the sum remaining unpaid of the original contract price, the Contractor and his sureties shall pay the amount of such deficiency to the City.

#### **ARTICLE 9.04 PARTIAL DEFAULT**

In case the City shall declare the Contractor in default as to a part of the work only, the Contractor shall discontinue such part, shall continue performing the remainder of the work in strict conformity with the terms of the Contract, and shall in no way hinder or interfere with any other contractor or person whom the City may engage to complete the work as to which the Contractor was declared in default.

### **SECTION 10 PAYMENTS**

#### **ARTICLE 10.01 PRICES**

For the Contractor's complete performance of the work, the City will pay and the Contractor agrees to accept, subject to the terms and conditions hereof, the lump sum prices or unit prices in the Contractor's Proposal and the award made therein, plus the amount required to be paid for any extra work ordered under Article 7.02 hereof, less credit for any work omitted pursuant to Article 7.04 hereof. Under unit price items, the number of units actually required to complete the work under the Contract may be more than stated in the Proposal. The Contractor agrees that no claim will be made for any damages or for loss of profits because of a difference between the quantities of the various classes of work assumed and stated in the Proposal Form as a basis for comparing Proposals and the quantities of work actually performed.

The sum as awarded for any lump sum Contract or lump sum Contract Item shall represent payment in full for all of the various classes of work, including materials, equipment, and labor necessary or required to complete, in conformity with the Contract Document, the entire work shown, indicated or specified under the lump sum Contract or lump sum Contract Item.

The amount as awarded as a unit price for any unit price Contract Item shall represent payment in full for all the materials, equipment, and labor necessary to complete, in conformity with the Contract Documents, each unit of work shown, specified, or required under the said unit price Contract Item.

No payment other than the amount as awarded will be made for any class of work included in a lump sum Contract Item or a unit price Contract Item, unless specific provision is

made therefor in the Contract Documents.

#### **ARTICLE 10.02 SUBMISSION OF BID BREAKDOWN**

Within fifteen (15) days after the execution of this Contract, the Contractor must submit to the Engineer in duplicate an acceptable breakdown of the lump sums and unit prices bid for items of the Contract, showing the various operations to be performed under the Contract, as described in the progress schedule required under Article 4.02 hereof, and the value of each of such operations, the total of such items to equal the total price bid. The Contractor shall also submit such other information relating to the bid prices as may be required and shall revise the bid breakdown as directed. Thereafter, the breakdown may be used for checking the Contractor's applications for partial payments hereunder but shall not be binding upon the City or the Engineer for any purpose whatsoever.

#### **ARTICLE 10.03 REPORTS, RECORDS AND DATA**

The Contractor shall furnish to the Engineer such schedules of quantities and costs, progress schedules, reports, invoices, delivery tickets, estimates, records, and other data as the Engineer may request concerning work performed or to be performed and the materials furnished under the Contract.

#### **ARTICLE 10.04 PAYMENTS BY CONTRACTOR**

The Contractor shall pay (a) for all transportation and utility services not later than the 20th day of the calendar month following that in which such services are rendered, (b) for all materials, tools, and equipment delivered at the site of the project, and the balance of the cost thereof not later than the 30th day following the completion of that part of the work in or on which such materials, tools, and equipment are incorporated or used, and (c) to each of his subcontractors, not later than the 5th day following each payment to the Contractor, the respective amounts allowed the Contractor on account of the work performed by his subcontractors, to the extent of each subcontractor's interest therein; and proof of such payments or releases therefor shall be submitted to the Engineer upon request.

#### **ARTICLE 10.05 PARTIAL PAYMENTS**

On or about the first of each month, the Contractor shall make and certify an estimate, on forms prescribed by the City, of the amount and fair value of the work done, and may apply for partial payment therefor. The Contractor shall revise the estimate as the Engineer may direct. When satisfactory progress has been made, and shows that the value of the work completed since the last payment exceeds one percent (1%) of the total Contract price in amount, the Engineer will issue a certificate that such work has been completed and the value thereof. The City will then issue a voucher to the Contractor in accordance with the following schedule:

#### **FOR CONTRACT AMOUNTS UNDER \$250,000**

(A) In the amount of ninety percent (90%) of the value of the work completed as certified until construction is one hundred percent (100%) complete (operational or beneficial occupancy), the withheld amount may be reduced below ten percent (10%), at the Engineer's option, to only that amount necessary to assure completion.

**FOR CONTRACT AMOUNTS OVER \$250,000**

(A) In the amount of ninety percent (90%) of the value of the work completed as certified until construction is fifty percent (50%) complete.

(B) When the dollar value, as determined by the Engineer, of satisfactorily completed work in place is greater than fifty percent (50%) of the original contract price, vouchers for partial payment will be issued by the City to the Contractor in the amount of one hundred percent (100%) of the value of the work, above 50%, completed as certified for that payment period.

(C) If the Contractor has performed satisfactorily and the work is substantially complete (operational or beneficial occupancy) the withheld amount may be reduced, at the Engineer's option, to only that amount necessary to assure completion.

In addition to the Conditions set forth in (A), (B), and (C) above, payments will always be less any sums that may be retained or deducted by the City under the terms of any of the contract documents and less any sums that may be retained to cover monetary guarantees for equipment, materials or progress performance.

Payment on estimates made on or about the first of the month may be expected on or about the 20th of the month.

Unless specified otherwise in the Contract Items, the delivered cost of equipment and nonperishable materials suitably stored at the site of the work and tested for adequacy may be included in the Contractor's application for partial payment provided, however, that the Contractor shall furnish evidence satisfactory to the City that the Contractor is the unconditional owner and in possession of such materials or equipment. The amount to be paid will be 90 percent of the invoice cost to the Contractor which cost shall be supported by receipted bills within 30 days of the date of payment by the City to the Contractor. Such payment shall not relieve the Contractor from full responsibility for completion of the work and for protection of such materials and equipment until incorporated in the work in a permanent manner as required by the Contract Documents.

Before any payment will be made under this Contract, the Contractor and every subcontractor, if required, shall deliver to the Engineer a written, verified statement, in satisfactory form, showing in detail all amounts then due and unpaid by such Contractor or subcontractor to all laborers, workmen, and mechanics, employed by him under the Contract for the performance of the work at the site thereof, for daily or weekly wages, or to other persons for materials, equipment, or supplies delivered at the site of the work during the period covered by the payment under consideration.

**ARTICLE 10.06 FINAL PAYMENT**

Under determination of satisfactory completion of the work under this Contract as provided in Article 4.07 hereof, the Engineer will prepare the final estimate showing the value of the completed work. This estimate will be prepared within 30 days after the date of completion or as soon thereafter as the necessary measurements and computations can be made.

All prior certificates and estimates, being approximate only, are subject to correction in the final estimate and payment.

When the final estimate has been prepared and certified by Engineer, he will submit to the Mayor and City Council the final certificate stating that the work has been completed and the amount based on the final estimate remaining due to the Contractor. The City will then accept the work as fully completed and will, not later than 30 days after the final acceptance, as defined in Article 1.02, of the work done under this Contract, pay the Contractor the entire amount so found due thereunder after deduction of all previous payments and all percentages and amounts to be kept and retained under provisions of this Contract; provided, however, and it is understood and agreed that, as a precedent to receiving final payment, the Contractor shall submit to the City a sworn affidavit that all bills for labor, service, materials, and subcontractors have been paid and that there are no suits pending in connection with this work. The City, at its option, may permit the Contractor to execute a separate surety bond in a form satisfactory to the City. The surety bond shall be in the full amount of the suit or suits.

Neither the final payment nor any part of the retained percentage shall be paid until the Contractor, if required, shall furnish the City with a complete release from any should remain unsatisfied after all payments are made, the Contractor shall refund to the City all monies which the City may be compelled to pay in discharging such claim, including incidental costs and attorney's fees.

**ARTICLE 10.07 ACCEPTANCE OF FINAL PAYMENT**

The acceptance by the Contractor, or by anyone claiming by or through him, of the final payment shall operate as and shall be a release to the City and every officer and agent thereof from any and all claims and liability to the Contractor for anything done or furnished in connection with the work or project and for any act or neglect of the Contractor or of any others relating to or affecting the work. No payment, however, final or otherwise, shall operate to release the Contractor or his sureties from any obligations under this Contract or the Performance Bond.

**SECTION 11 MISCELLANEOUS PROVISIONS**

**ARTICLE 11.01 CONTRACTOR'S WARRANTIES**

In consideration of, and to induce the award of this contract to him, the Contractor represents and warrants:

- (a) That he is not in arrears to the City upon debt or contract, and he is not a defaulter, as surety, contractor, or otherwise.
- (b) That he is financially solvent and sufficiently experienced and competent to perform the work.
- (c) That the work can be performed as called for by the Contract Documents.
- (d) That the facts stated in his proposal and the information given by him are true and correct in all respects.
- (e) That he is fully informed regarding all the conditions affecting the work to be done and labor and materials to be

furnished for the completion of this Contract, and that his information was secured by personal investigation and research.

**ARTICLE 11.02 PATENTED DEVICES, MATERIAL AND PROCESSES**

It is mutually understood and agreed that Contract prices include all royalties and costs arising from patents, trademarks, and copyrights in any way involved in the work. Whenever the Contractor is required or desires to use any design, device, material, or process covered by letters of patent or copyright, the Contractor shall indemnify and save harmless the City, its officers, agents and employees from any and all claims for infringement by reason of the use of any such patented design, device, tool, material, equipment, or process, to be performed under the Contract, and shall indemnify the said City, its officers, agents, and employees for any costs, expenses, and damages which may be incurred by reason of such infringement at any time during the prosecution or after completion of the work.

**ARTICLE 11.03 SUITS AT LAW**

In case any action at law or suit in equity may or shall be brought against the City or any of its officers, agents, or employees for or on account of the failure, omission, or neglect of the Contractor or his subcontractors, employees, or agents, to do or perform any of the covenants, acts, matters, or things by this Contract undertaken to be done or performed by the Contractor or his subcontractors, employees, or agents, or from any injuries done to property or persons and caused by the negligence or alleged negligence of the Contractor or his subcontractors, employees, or agents, or in any other manner arising out of the performance of this Contract, then the Contractor shall immediately assume and take charge of the defense of such actions or suits in like manner and to all intents and purposes as if said actions or suits have been brought directly against the Contractor, and the Contractor shall also indemnify and save harmless the City, its officers, agents, and employees from any and all loss, cost or damage whatever arising out of such actions or suits, in like manner and to all intents and purposes as if said actions or suits have been brought directly against the Contractor.

The Contractor shall and does hereby assume all liability for and agrees to indemnify the City or its Engineer against any or all loss, costs, damages, and liability for any or by reason of any lien, claims or demands, either for materials purchased or for work performed by laborers, mechanics, and others and from any damages, costs, actions, or causes of action and judgement arising from injuries sustained by mechanics, laborers, or other persons by reason of accidents or otherwise, whether caused by the carelessness or inefficiency or neglect of said Contractor, his subcontractors, agents, employees, workmen or otherwise.

**ARTICLE 11.04 CLAIMS FOR DAMAGES**

If the Contractor shall claim compensation for any damage sustained, other than for extra or disputed work covered by Article 7.02 and 7.03 hereof, by reason of any act or omission of the City, its agents, or any persons, he shall, within five days after sustaining such damage, make and

deliver to the Engineer a written statement of the nature of the damage sustained and of the basis of the claim against the City. On or before the 15th of the month succeeding that in which any damage shall have been sustained, the Contractor shall make and deliver to the Engineer an itemized statement of the details and amounts of such damage, duly verified by the Contractor. Unless such statements shall be made delivered within the times aforesaid, it is stipulated that and all claims for such compensation shall be forfeited and invalidated, and the Contractor shall not be entitled to payment on account of such claims.

**ARTICLE 11.05 NO CLAIMS AGAINST INDIVIDUALS**

No claim whatsoever shall be made by the Contractor against any officer, agent, employee of the City for, or on account of, anything done or omitted to be done in connection with this Contract.

**ARTICLE 11.06 LIABILITY UNAFFECTED**

Nothing herein contained shall in any manner create any liability against the City on behalf of any claim for labor, services, or materials, or of subcontractors, and nothing herein contained shall affect the liability of the Contractor or his sureties to the City or to any workmen or materialsmen upon bond given in connection with this Contract.

**ARTICLE 11.07 INDEMNIFICATION PROVISIONS**

Whenever there appears in this Agreement, or in the other Contract Documents made a part hereof, an indemnification provision within the purview of Chapter 725.06, Laws of Florida, the monetary limitation on the extent of the indemnification under each such provision shall be One Million Dollars or a sum equal to the total Contract price, whichever shall be the greater.

**ARTICLE 11.08 UNLAWFUL PROVISIONS DEEMED STRICKEN**

If this contract contains any unlawful provisions not an essential part of the Contract and which shall not appear to have a controlling or material inducement to the making thereof, such provisions shall be deemed of no effect and shall, upon notice by either party, be deemed stricken from the Contract without affecting the binding force of the remainder.

**ARTICLE 11.09 LEGAL PROVISIONS DEEMED INCLUDED**

Each and every provision of any law and clause required by law to be inserted in this Contract shall be deemed to be inserted herein, and the Contract shall be read and enforced as though it were included herein and if, through mistake or otherwise, any such provision is not inserted or is not correctly inserted, then upon application of either party the Contract shall forthwith be physically amended to make such insertion.

**ARTICLE 11.10 DEATH OR INCOMPETENCY OF CONTRACTOR**

In the event of death or legal incompetency of a Contractor who shall be an individual or surviving member of a contracting firm, such death or adjudication of incompetency

shall not terminate the Contract, but shall act as default hereunder to the effect provided in Article 9.01 hereof and the estate of the Contractor and his surety shall remain liable hereunder to the same extent as though the Contractor had lived. Notice of default, as provided in Article 9.01 hereof, shall not be required to be given in the event of such death or adjudication of incompetency.

**ARTICLE 11.11 NUMBER AND GENDER OF WORDS**

Whenever the context so admits or requires, all references herein in one number shall be deemed extended to and including the other number, whether singular or plural, and the use of any gender shall be applicable to all genders.

**ARTICLE 11.12 ACCESS TO RECORDS**

Representatives of Federal Agencies, if applicable, and the State of Florida shall have access to the work whenever it is in preparation of progress. On federally assisted projects the Federal Agency, the Comptroller General of the United States, or any authorized representative shall have access to any books, documents, papers, and records of the Contractor which are pertinent to the project for the purpose of making audit, examination, excerpts, and transcription thereof.

**SECTION 12  
LABOR STANDARDS**

**ARTICLE 12.01 LABOR STANDARDS**

The Contractor shall comply with all of the regulations set forth in "Labor Standards Provisions for Federally Assisted Construction Contracts", which may be attached, and any applicable Florida Statutes.

**ARTICLE 12.02 NOTICE TO LABOR UNIONS**

If required, the Contractor shall provide Labor Unions and other organizations of workers, and shall post, in a conspicuous place available to employees or applicants for employment, a completed copy of the form entitled "Notice to Labor Unions or Other Organizations of Workers" attached to and made a part of this Agreement.

**ARTICLE 12.03 SAFETY AND HEALTH REGULATIONS**

The Contractor shall comply with the Department of Labor Safety and Health Regulations for construction promulgated under the Occupational Safety and Health Act of 1970 (PL 91- 596) and under Section 107 of the Contract Work Hours and Safety Standards Act (PL 91-54). Nothing in these Acts shall be construed to supersede or in any manner affect any worker's compensation law or statutory rights, duties, or liabilities of employers and employees under any law with respect to injuries, diseases, or death of employees arising out of, or in the course of, employment.

**ARTICLE 12.04 EEO AFFIRMATIVE ACTION REQUIREMENTS**

The Contractor understands and agrees to be bound by the equal opportunity requirements of Federal regulations which shall be applicable throughout the performance of work under this Contract. The Contractor also agrees to similarly

bind contractually each subcontractor. In policies, the Contractor agrees to engage in Affirmative Action directed at promoting and ensuring equal employment opportunity in the work force used under the Contract (and the Contractor agrees to require contractually the same effort of all subcontractors whose subcontractors exceed \$100,000). The Contractor understands and agrees that "Affirmative Action" as used herein shall constitute a good faith effort to achieve and maintain minority employment in each trade in the on-site work force used on the Contract.

**ARTICLE 12.05 PREVAILING RATES OF WAGES**

Florida's prevailing wage law was repealed effective April 25, 1979.

For Federally assisted projects, appropriate prevailing wage rate determinations are indicated on pages beginning with WR-1.

\* \* \* \* \*

PUBLIC CONSTRUCTION BOND

Bond No. (enter bond number) \_\_\_\_\_

Name of Contractor: \_\_\_\_\_

Principal Business Address of Contractor: \_\_\_\_\_

Telephone Number of Contractor: \_\_\_\_\_

Name of Surety (if more than one list each): \_\_\_\_\_

Principal Business Address of Surety: \_\_\_\_\_

Telephone Number of Surety: \_\_\_\_\_

Owner is The City of Tampa, Florida

Principal Business Address of Owner: \_\_\_\_\_ 306 E Jackson St, Tampa, FL 33602

\_\_\_\_\_ Contract Administration Department (280A4N)

Telephone Number of Owner: \_\_\_\_\_ 813/274-8456

Contract Number Assigned by City to contract which is the subject of this bond: \_\_\_\_\_

Legal Description or Address of Property Improved or Contract Number is: \_\_\_\_\_

\_\_\_\_\_

\_\_\_\_\_

\_\_\_\_\_

General Description of Work and Services: \_\_\_\_\_

\_\_\_\_\_

\_\_\_\_\_

\_\_\_\_\_

KNOW ALL MEN BY THESE PRESENTS That we, \_\_\_\_\_

\_\_\_\_\_  
(Name of Contractor)

as Principal, hereinafter called CONTRACTOR, of the State of \_\_\_\_\_, and

\_\_\_\_\_  
(Name of Surety)

a corporation organized and existing under and by virtue of the laws of the State of \_\_\_\_\_, and regularly authorized to do business in the State of Florida, as SURETY, are held and firmly bound unto the City of Tampa, a municipal corporation organized and existing under the laws of the State of Florida, hereinafter called Owner, in the penal sum of \_\_\_\_\_ Dollars and \_\_\_\_\_ Cents (\$ \_\_\_\_\_), lawful money of the United States of America, for the payment whereof well and truly to be made, we bind ourselves, our heirs, executors, and administrators, successors and assigns, jointly and severally, firmly by these presents.

THE CONDITION OF THIS BOND is that if Principal:

1. Performs the contract dated \_\_\_\_\_, \_\_\_\_\_, 20\_\_\_\_, between Principal and Owner for construction of \_\_\_\_\_, the contract being made a part of this bond by reference, in the time and in the manner prescribed in the contract; and
2. Promptly makes payments to all claimants, as defined in Section 255.05(1) (Section 713.01), Florida Statutes, supplying Principal with labor, materials, or supplies, used directly or indirectly by Principal in the prosecution of the work provided for in the contract; and
3. Pays Owner all losses, damages, expenses, costs, and attorney's fees, including appellate proceedings, that Owner sustains because of a default by Principal under the contract; and
4. Performs the guarantee of all work and materials furnished under the contract for the time specified in the contract, then this bond is void; otherwise it remains in full force.
5. Contractor and Surety acknowledge that the Work for which this bond has been issued may be one of several such contract documents for a group of projects. This bond does not secure covenants to pay for or to perform design services survey or program management services. The Owner/Obligee is expected to reasonably account for damages that are caused to Owner with respect to Principal's (Contractor's) default in performance of the scope of the Work incorporated by reference into the bond, and notwithstanding any contractual or common law remedy permitted to Owner as against Contractor, the obligation of Surety for any damages under this bond shall be determined by the cost of completion of the Work less the contract balance unpaid upon default of Contractor for the Work plus liquidated damages at the rate of \$500.00 per day for delays by the Contractor and/or Surety in reaching substantial completion.
6. The notice requirements for claimants and conditions for entitlement to payment set forth in Section 255.05, Fla. Stat. and the limitations period to actions upon Section 255.05, Fla. Stat. bonds apply to claimants seeking payment from surety under this bond. Any action instituted by a claimant under this bond for payment must be in accordance with the notice and time limitation provisions in Section 255.05, Florida Statutes.
7. The Surety, for value received, hereby stipulates and agrees that no changes, extensions of time, alterations or additions to the terms of the contract documents or other Work to be performed hereunder, or the specifications referred to therein shall in any way affect its obligations under this bond, and it does hereby waive notice of any such changes, extensions of time, alterations or additions to the terms of the Contract or to Work or to the specifications.

8. The above SURETY states that it has read all of the Contract Documents made by the CONTRACTOR with the CITY, hereto attached, and the terms and conditions of the contract and work, and is familiar therewith and in particular those portions of the Agreement concerning the guaranty of such CONTRACTOR for a period of one year following the date of the final acceptance of the completed work under the Contract by the CITY, all of which this BOND includes.

DATED ON \_\_\_\_\_, 20\_\_

\_\_\_\_\_  
(Name of Principal)

\_\_\_\_\_  
(Name of Surety)

\_\_\_\_\_  
(Principal Business Address)

\_\_\_\_\_  
(Surety Address)

By \_\_\_\_\_

By \_\_\_\_\_  
(As Attorney in Fact)\*

Title \_\_\_\_\_

\_\_\_\_\_  
Telephone Number of Surety

\_\_\_\_\_  
Telephone Number of Principal

**Accepted by City of Tampa:**

**Countersignature:**

By \_\_\_\_\_  
Pam Iorio, Mayor

\_\_\_\_\_  
(Name of Local Agency)

Date: \_\_\_\_\_ 20\_\_

\_\_\_\_\_  
(Address of Resident Agent)

By \_\_\_\_\_

Approved as to legal sufficiency:

Title \_\_\_\_\_

By \_\_\_\_\_  
Assistant City Attorney

\_\_\_\_\_  
Telephone Number of Local Agency

Date: \_\_\_\_\_, 20\_\_

\*(As Attorney in Fact) attach Power of Attorney and Current Certificate with Original Signature

# SPECIFICATIONS GENERAL PROVISIONS

## SECTION 1 SCOPE AND INTENT

### **G-1.01 DESCRIPTION**

The work to be done consists of the furnishing of all labor, materials and equipment, and the performance of all work included in this Contract.

### **G-1.02 WORK INCLUDED**

The Contractor shall furnish all labor, superintendence, materials, plant, power, light, heat, fuel, water, tools, appliances, equipment, supplies, and other means of construction necessary or proper for performing and completing the work. He shall obtain and pay for all required permits. He shall perform and complete the work in the manner best calculated to promote rapid construction consistent with safety of life and property and to the satisfaction of the Engineer, and in strict accordance with the Contract Documents. The Contractor shall clean up the work and maintain it during and after construction, until accepted, and shall do all work and pay all costs incidental thereto. He shall repair or restore all structures and property that may be damaged or disturbed during performance of the work.

The cost of incidental work described in these General Provisions, for which there are no specific Contract Items, shall be considered as part of the overhead cost of doing the work and shall be included in the prices for the various Contract Items. No additional payment will be made therefor.

The Contractor shall provide and maintain such modern plant, tools, and equipment as may be necessary, in the opinion of the Engineer, to perform in a satisfactory and acceptable manner all the work required by this Contract. Only equipment of established reputation and proven efficiency shall be used. The Contractor shall be solely responsible for the adequacy of his plant and equipment, prior approval of the Engineer notwithstanding.

### **G-1.03 PUBLIC UTILITY INSTALLATIONS AND STRUCTURES**

Public utility installations and structures shall be understood to include all poles, tracks, pipes, wires, conduits, house service connections, vaults, manholes, and all other appurtenances and facilities pertaining thereto whether owned or controlled by the City, other governmental bodies or privately owned by individuals, firms, or corporations, and used to serve the public with transportation, traffic control, gas, electricity, telephone, sewerage, drainage, water or other public or private property which may be affected by the work.

The Contract Documents contain data relative to existing public utility installations and structures above and below the ground surface. These data are not guaranteed as to their completeness or accuracy and it is the responsibility of the Contractor to make his own investigations to inform himself

fully of the character, condition and extent of all such installations and structures as may be encountered and as may affect the construction operations.

The Contractor shall protect all public utility installations and structures from damage during the work. Access across any buried public utility installation or structure shall be made only in such locations and by means approved by the Engineer. The Contractor shall so arrange his operations as to avoid any damage to these facilities. All required protective devices and construction shall be provided by the Contractor at his expense. All existing public utilities damaged by the Contractor which are shown on the Plans or have been located in the field by the utility shall be repaired by the Contractor, at his expense, as directed by the Engineer. No separate payment shall be made for such protection or repairs to public utility installations or structures.

Public utility installations or structures owned or controlled by the City or other governmental body which are shown on the Plans to be removed, relocated, replaced or rebuilt by the Contractor shall be considered as a part of the general cost of doing the work and shall be included in the prices bid for the various Contract Items. No separate payment shall be made therefor.

Where public utility installations or structures owned or controlled by the City or other governmental body are encountered during the course of the work, and are not indicated on the Plans or in the Specifications, and when, in the opinion of the Engineer, removal, relocation, replacement or rebuilding is necessary to complete the work under this Contract, such work shall be accomplished by the utility having jurisdiction or such work may be ordered, in writing by the Engineer, for the Contractor to accomplish. If such work is accomplished by the utility having jurisdiction it will be carried out expeditiously and the Contractor shall give full cooperation to permit the utility to complete the removal, relocation, replacement or rebuilding as required. If such work is accomplished by the Contractor, it will be paid for as extra work as provided for in Article 7.02 of the Agreement.

The Contractor shall, at all times in performance of the work, employ approved methods and exercise reasonable care and skill so as to avoid unnecessary delay, injury, damage or destruction of public utility installations and structures; and shall, at all times in the performance of the work, avoid unnecessary interference with, or interruption of, public utility services, and shall cooperate fully with the owners thereof to that end.

All City and other governmental utility departments and other owners of public utilities, which may be affected by the work, will be informed in writing by the Engineer within two weeks after the execution of the Contract or Contracts covering the work. Such notice will set out, in general, and direct attention to, the responsibilities of the City and other governmental

utility departments and other owners of public utilities for such installations and structures as may be affected by the work and will be accompanied by one set of Plans and Specifications covering the work under such Contract or Contracts.

In addition to the general notice given by the Engineer, the Contractor shall give written notice to all City and other governmental utility departments and other owners of public utilities of the location of his proposed construction operations, at least forty-eight (48) hours in advance of breaking ground in any area or on any unit of the work. This can be accomplished by making the appropriate contact with the "Underground Utility Notification Center for Excavators (Call Candy)".

The maintenance, repair, removal, relocation, or rebuilding of public utility installations and structures, when accomplished by the Contractor as herein provided, shall be done by methods approved by the Engineer.

## **SECTION 2 PLANS AND SPECIFICATIONS**

### **G-2.01 PLANS**

The Plans referred to in the Contract Documents bear the general project name and number as shown in the Notice To Bidders.

When obtaining data and information from the Plans, figures shall be used in preference to scaled dimensions, and large scale drawings in preference to small scale drawings.

### **G-2.02 COPIES FURNISHED TO CONTRACTOR**

After the Contract has been executed, the Contractor will be furnished with five sets of paper prints, the same size as the original drawings, of each sheet of the Plans and five copies of the Specifications. Additional copies of the Plans and Specifications, when requested, may be furnished to the Contractor at cost of reproduction.

The Contractor shall furnish each of the subcontractors, manufacturers, and material suppliers such copies of the Contract Documents as may be required for his work.

### **G-2.03 SUPPLEMENTARY DRAWINGS**

When, in the opinion of the Engineer, it becomes necessary to explain more fully the work to be done or to illustrate the work further or to show any changes which may be required, drawings known as Supplementary Drawings, with specifications pertaining thereto, will be prepared by the Engineer and five paper prints thereof will be given to the Contractor.

The Supplementary Drawings shall be binding upon the Contractor with the same force as the Plans. Where such Supplementary Drawings require either less or more than the estimated quantities of work, credit to the City or compensation therefor to the Contractor shall be subject to the terms of the Agreement.

### **G-2.04 CONTRACTOR TO CHECK PLANS AND DATA**

The Contractor shall verify all dimensions, quantities, and details shown on the Plans, Supplementary Drawings, Schedules, Specifications, or other data received from the Engineer, and shall notify him of all errors, omissions, conflicts, and discrepancies found therein. Failure to discover or correct errors, conflicts or discrepancies shall not relieve the Contractor of full responsibility for unsatisfactory work, faulty construction or improper operation resulting therefrom nor from rectifying such conditions at his own expense. He will not be allowed to take advantage of any errors or omissions as full instructions will be furnished by the Engineer, should such errors or omissions be discovered. All schedules are given for the convenience of the Engineer and the Contractor and are not guaranteed to be complete. The Contractor shall assume all responsibility for the making of estimates of the size, kind, and quality of materials and equipment included in work to be done under the Contract.

### **G-2.05 SPECIFICATIONS**

The specifications consist of four parts, the General Provisions, the Technical Specifications, the Special Provisions and the Contract Items. The General Provisions and Technical Specifications contain general requirements which govern the work. The Special Provisions and the Contract Items modify and supplement these by detailed requirements for the work and shall always govern, whenever there appears to be conflict.

### **G-2.06 INTENT**

All work called for in the Specifications applicable to this Contract, but not shown on the Plans in their present form, or vice versa, shall be of like effect as if shown or mentioned in both. Work not specified in either the Plans or in the Specifications, but involved in carrying out their intent or in the complete and proper execution of the work, is required and shall be performed by the Contractor as though it were specifically delineated or described.

The apparent silence of the Specifications as to any detail, or the apparent omission from them of a detailed description concerning any work to be done and materials to be furnished, shall be regarded as meaning that only the best general practice is to prevail and that only material and workmanship of the best quality is to be used, and interpretation of these Specifications shall be made upon that basis.

## **SECTION 3 WORKING DRAWINGS**

### **G-3.01 SCOPE**

The Contractor shall promptly prepare and submit layout, detail and shop drawings to insure proper construction, assembly, and installation of the work using those materials and methods as hereafter specified under the Technical Specifications, Special Provisions and Contract Items.

These drawings shall accurately and distinctly present the following:

- a. All working and erection dimensions.
- b. Arrangements and sectional views.
- c. Necessary details, including complete information for making connections between work under this Contract and work under other Contracts.
- d. Kinds of materials and finishes.
- e. Parts listed and description thereof.

Drawings for mechanical equipment shall present, where applicable, such data as dimensions, weight and performance characteristics. These data shall show conformance with the performance characteristics and other criteria incorporated in the Plans and Specifications.

Each drawing shall be dated and shall contain the name of the project, Division number and description, the technical specifications section number, names of equipment or materials and the location at which the equipment or materials are to be installed. Location shall mean both physical location and location relative to other connected or attached material. The Engineer will return unchecked any submittal which does not contain complete data on the work and full information on related matters.

Stock or standard drawings will not be accepted for review unless full identification and supplementary information is shown thereon in ink or typewritten form.

The Contractor shall review all working drawing submittals before transmitting them to the Engineer to determine that they comply with requirements of the Specifications. Drawings which are incomplete or are not in compliance with the Contract Documents shall not be submitted for processing by the Engineer. The Contractor shall place his stamp of approval on all working drawings submitted to the Engineer to indicate compliance with the above.

#### **G-3.02 APPROVAL**

If the working drawings show departures from the Contract requirements, the Contractor shall make specific mention thereof in his letter of submittal; otherwise approval of such submittals shall not constitute approval of the departure. Approval of the drawings shall constitute approval of the subject matter thereof only and not of any structure, material, equipment, or apparatus shown or indicated.

The approval of drawings will be general and shall not relieve the Contractor of responsibility for the accuracy of such drawings, nor for the proper fitting and construction of the work, nor for the furnishing of materials or work required by the Contract and not indicated on the drawings. No work called for by working drawings shall be done until such drawings have been approved by the Engineer.

The procedure in seeking approval of the working drawings shall be as follows:

1. The Contractor shall submit four complete sets of drawings

and other descriptive data together with one copy of a letter of transmittal to the Engineer for approval. The letter of transmittal shall contain the name of the project, contract number, technical specifications section number, the name of the Contractor, a list of drawings with numbers and titles, and any other pertinent information.

2. Drawings or descriptive data will be stamped "Approved", "Approved Subject to Corrections Marked", or "Examined and Returned for Correction" and one copy with a letter of transmittal will be returned to the Contractor.

3. If a drawing or other data is stamped "Approved", the Contractor shall insert the date of approval on five additional copies of the document and transmit the five copies to the Engineer together with one copy of a letter of transmittal containing substantially the same information as described in Instruction 1. above.

4. If a drawing or other data is stamped "Approved Subject to Corrections Marked", the Contractor shall make the corrections indicated and proceed as in Instruction 3., above.

5. If a drawing or data is stamped "Examined and Returned for Correction", the Contractor shall make the necessary corrections and resubmit the documents as set forth in Instruction 1., above. The letter of transmittal shall indicate that this is a resubmittal.

The Contractor shall revise and resubmit the working drawings as required by the Engineer, until approval thereof is obtained.

## **SECTION 4 MATERIALS AND EQUIPMENT**

### **G-4.01 GENERAL REQUIREMENTS**

All materials, appliances, and types or methods of construction shall be in accordance with the Specifications and shall, in no event, be less than that necessary to conform to the requirements of any applicable laws, ordinances, and codes.

All materials and equipment shall be new, unused, and correctly designed. They shall be of standard first grade quality, produced by expert personnel, and intended for the use for which they are offered. Materials or equipment which, in the opinion of the Engineer, are inferior or of a lower grade than indicated, specified, or required will not be accepted.

The quality of Workmanship and Materials entering into the work under this Contract shall conform to the requirements of the pertinent sections, clauses, paragraphs, and sentences, both directly and indirectly applicable thereto, of that part of the Technical Specifications, whether or not direct reference to such occurs in the Contract Items.

Equipment and appurtenances shall be designed in conformity with ANSI, ASME, IEEE, NEMA and other

generally accepted standards and shall be of rugged construction and of sufficient strength to withstand all stresses which may occur during fabrication, testing, transportation, installation, and all conditions of operation. All bearings and moving parts shall be adequately protected against wear by bushings or other approved means and shall be fully lubricated by readily accessible devices. Details shall be designed for appearance as well as utility. Protruding members, joints, corners, gear covers, and the like, shall be finished in appearance. All exposed welds shall be ground smooth and the corners of structural shapes shall be mitered.

Equipment shall be of the approximate dimensions as indicated on the Plans or as specified, shall fit the spaces shown on the Plans with adequate clearances, and shall be capable of being handled through openings provided in the structure for this purpose. The equipment shall be of such design that piping and electrical connections, ductwork, and auxiliary equipment can be assembled and installed without causing major revisions to the location or arrangement of any of the facilities.

Machinery parts shall conform exactly to the dimensions shown on the working drawings. There shall be no more fitting or adjusting in setting up a machine than is necessary in assembling high grade apparatus of standard design. The equivalent parts of identical machines shall be made interchangeable. All grease lubricating fittings on equipment shall be of a uniform type. All machinery and equipment shall be safeguarded in accordance with the safety codes of the ANSI and applicable state and local codes.

#### **G-4.02 MANUFACTURER**

The names of proposed manufacturers, suppliers, material, and dealers who are to furnish materials, fixtures, equipment, appliances or other fittings shall be submitted to the Engineer for approval, as early as possible, to afford proper investigation and checking. Such approval must be obtained before shop drawings will be checked. No manufacturer will be approved for any materials to be furnished under this Contract unless he shall be of good reputation and have a plant of ample capacity. He shall, upon the request of the Engineer, be required to submit evidence that he has manufactured a similar product to the one specified and that it has been previously used for a like purpose for a sufficient length of time to demonstrate its satisfactory performance.

All transactions with the manufacturers or subcontractors shall be through the Contractor, unless the Contractor shall request, in writing to the Engineer, that the manufacturer or subcontractor deal directly with the Engineer. Any such transactions shall not in any way release the Contractor from his full responsibility under this Contract.

Any two or more pieces of material or equipment of the same kind, type or classification, and being used for identical types of service, shall be made by the same manufacturer.

#### **G-4.03 REFERENCE TO STANDARDS**

Whenever reference is made to the furnishing of materials or

testing thereof to conform to the standards of any technical society, organization or body, it shall be construed to mean the latest standard, code, specification or tentative specification adopted and published at the date of advertisement for proposals, even though reference has been made to an earlier standard, and such standards are made a part hereof to the extent which is indicated or intended.

Reference to a technical society, organization or body may be made in the Specifications by abbreviations, in accordance with the following list:

AASHTO for American Association of State Highway and Transportation Officials (formerly AASHO)  
ACI for American Concrete Institute  
AGMA for American Gear Manufacturer's Association  
AFBMA for Anti-Friction Bearing Manufacturer's Association  
AISC for American Institute of Steel Construction  
AISI for American Iron and Steel Institute  
ANSI for American National Standards Institute  
ASCE for American Society of Civil Engineers  
ASTM for American Society for Testing and Materials  
ASME for American Society of Mechanical Engineers  
AWS for American Welding Society  
AWWA for American Water Works Association  
AWPA for American Wood Preservers Association  
CEMA for Conveyor Equipment Manufacturers Association  
CIPRA for Cast Iron Pipe Research Association  
IEEE for Institute of Electrical and Electronic Engineers  
IPCEA for Insulated Power Cable Engineers Association  
NEC for National Electrical Code  
NEMA for National Electrical Manufacturers Association  
SAE for Society of Automotive Engineers  
SHBI for Steel Heating Boiler Institute  
Fed.Spec. for Federal Specifications  
Navy Spec. for Navy Department Specifications  
U.L.,Inc. for Underwriters' Laboratories, Inc.

When no reference is made to a code, standard or specification, the Standard Specifications of the ANSI, the ASME, the ASTM, the IEEE, or the NEMA shall govern.

#### **G-4.04 SAMPLES**

The Contractor shall, when required, submit to the Engineer for approval typical samples of materials and equipment. The samples shall be properly identified by tags and shall be submitted sufficiently in advance of the time when they are to be incorporated into the work, so that rejections thereof will not cause delay. A letter of transmittal, in duplicate, from the Contractor requesting approval must accompany all such samples.

#### **G-4.05 EQUIVALENT QUALITY**

Whenever, in the Contract Documents, an article, material, apparatus, equipment, or process is called for by trade name or by the name of a patentee, manufacturer, or dealer or by reference to catalogs of a manufacturer or dealer, it shall be understood as intending to mean and specify the article, material, apparatus, equipment or process designated, or any

equal thereto in quality, finish, design, efficiency, and durability and equally serviceable for the purposes for which it is intended.

Whenever material or equipment is submitted for approval as being equal to that specified, the decision as to whether or not such material or equipment is equal to that specified shall be made by the Engineer.

Upon rejection of any material or equipment submitted as the equivalent of that specifically named in the Contract, the Contractor shall immediately proceed to furnish the designated material or equipment.

Neither the approval by the Engineer of alternate material or equipment as being equivalent to that specified nor the furnishing of the material or equipment specified, shall in any way relieve the Contractor of responsibility for failure of the material or equipment, due to faulty design, material, or workmanship, to perform the functions required of them by the Specifications.

#### **G-4.06 DELIVERY**

The Contractor shall deliver materials in ample quantities to insure the most speedy and uninterrupted progress of the work so as to complete the work within the allotted time. The Contractor shall also coordinate deliveries in order to avoid a delay in, or impediment of, the progress of the work of any related Contractor.

#### **G-4.07 CARE AND PROTECTION**

The Contractor shall be solely responsible for properly storing and protecting all materials, equipment, and work furnished under the Contract from the time such materials and equipment are delivered at the site of the work until final acceptance thereof. He shall, at all times, take necessary precautions to prevent injury or damage by water, freezing, or by inclemencies of the weather to such materials, equipment and work. All injury or damage to materials, equipment, or work resulting from any cause whatsoever shall be made good by the Contractor.

The Engineer shall, in all cases, determine the portion of the site to be used by the Contractor for storage, plant or for other purposes. If, however, it becomes necessary to remove and restack materials to avoid impeding the progress of any part of the work or interference with the work to be done by any other Contractor, the Contractor shall remove and restack such materials at his own expense.

#### **G-4.08 TOOLS AND ACCESSORIES**

The Contractor shall, unless otherwise stated in the Contract Documents, furnish with each type, kind or size of equipment, one complete set of suitably marked high grade special tools and appliances which may be needed to adjust, operate, maintain, or repair the equipment. Such tools and appliances shall be furnished in approved painted steel cases, properly labeled and equipped with good grade cylinder locks and duplicate keys.

Spare parts shall be furnished as specified.

Each piece of equipment shall be provided with a substantial nameplate, securely fastened in place and clearly inscribed with the manufacturer's name, year of manufacture, serial number, weight and principal rating data.

#### **G-4.09 INSTALLATION OF EQUIPMENT**

The Contractor shall have on hand sufficient proper equipment and machinery of ample capacity to facilitate the work and to handle all emergencies normally encountered in work of this character.

Equipment shall be erected in a neat and workmanlike manner on the foundations at the locations and elevations shown on the Plans, unless directed otherwise by the Engineer during installation. All equipment shall be correctly aligned, leveled and adjusted for satisfactory operation and shall be installed so that proper and necessary connections can be made readily between the various units.

The Contractor shall furnish, install and protect all necessary anchor and attachment bolts and all other appurtenances needed for the installation of the devices included in the equipment specified. Anchor bolts shall be as approved by the Engineer and made of ample size and strength for the purpose intended. Substantial templates and working drawings for installation shall be furnished.

The Contractor shall, at his own expense, furnish all materials and labor for, and shall properly bed in non-shrink grout, each piece of equipment on its supporting base that rests on masonry foundations. Grout shall completely fill the space between the equipment base and the foundation.

#### **G-4.10 OPERATING INSTRUCTIONS**

The Contractor, through qualified individuals, shall adequately instruct designated employees of the City in the operation and care of all equipment installed hereunder, except for equipment that may be furnished by the City.

The Contractor shall also furnish and deliver to the Engineer three complete sets for permanent files, identified in accordance with Subsection G-3.01 hereof, of instructions, technical bulletins and any other printed matter, such as diagrams, prints or drawings, containing full information required for the proper operation, maintenance, and repair, of the equipment installed and the ordering of spare parts, except for equipment that may be furnished by the City.

In addition to the above three copies, the Contractor shall furnish any additional copies that may be required for use during construction and start-up operations.

#### **G-4.11 SERVICE OF MANUFACTURER'S ENGINEER**

The Contract prices for equipment shall include the cost of furnishing a competent and experienced engineer or superintendent who shall represent the manufacturer and shall assist the Contractor, when required, to install, adjust, test and place in operation the equipment in conformity with the Contract Documents. After the equipment is placed in

permanent operation by the City, such engineer or superintendent shall make all adjustments and tests required by the Engineer to provide that such equipment is in proper and satisfactory operating condition, and shall instruct such personnel as may be designated by the City in the proper operation and maintenance of such equipment.

## **SECTION 5 INSPECTION AND TESTING**

### **G-5.01 GENERAL**

The Contractor's attention is hereby directed to Article 3.03 of the Agreement.

Inspection and testing of materials will be performed by the City unless otherwise specified.

For tests specified to be made by the Contractor, the testing personnel shall make the necessary inspections and tests and the reports thereof shall be in such form as will facilitate checking to determine compliance with the Contract Documents. Five copies of the reports shall be submitted and authoritative certification thereof must be furnished to the Engineer as a prerequisite for the acceptance of any material or equipment.

If, in the making of any test of any material or equipment, it is ascertained by the Engineer that the material or equipment does not comply with the Contract, the Contractor will be notified thereof and he will be directed to refrain from delivering said material and equipment, or to remove it promptly from the site or from the work and replace it with acceptable material, without cost to the City.

Tests of electrical and mechanical equipment and appliances shall be conducted in accordance with recognized test codes of the ANSI, ASME, or the IEEE, except as may otherwise be stated herein.

The Contractor shall be fully responsible for the proper operation of equipment during tests and instruction periods and shall neither have nor make any claim for damage which may occur to equipment prior to the time when the City formally takes over the operation thereof.

### **G-5.02 COSTS**

All inspection and testing of materials furnished under this Contract will be performed by the City or duly authorized inspection engineers or inspection bureaus without cost to the Contractor, unless otherwise expressly specified.

The cost of shop and field tests of equipment and of certain other tests specifically called for in the Contract Documents shall be borne by the Contractor and such costs shall be deemed to be included in the contract price.

Materials and equipment submitted by the Contractor as the equivalent to those specifically named in the Contract may be tested by the City for compliance. The Contractor shall reimburse the City for the expenditures incurred in making

such tests on materials and equipment which are rejected for noncompliance.

### **G-5.03 INSPECTIONS OF MATERIALS**

The Contractor shall give notice, in writing to the Engineer, sufficiently in advance of his intention to commence the manufacture or preparation of materials especially manufactured or prepared for use in or as part of the permanent construction. Such notice shall contain a request for inspection, the date of commencement and the expected date of completion of the manufacture or preparation of materials. Upon receipt of such notice the Engineer will arrange to have a representative present at such times during the manufacture as may be necessary to inspect the materials or he will notify the Contractor that inspection will be made at a point other than the point of manufacture, or he will notify the Contractor that inspection will be waived. The Contractor must comply with these provisions before shipping any material. Such inspection shall not release the Contractor from the responsibility for furnishing materials meeting the requirements of the Contract Documents.

### **G-5.04 CERTIFICATE OF MANUFACTURE**

When inspection is waived or when the Engineer so requires, the Contractor shall furnish to him authoritative evidence in the form of Certificates of Manufacture that the materials to be used in the work have been manufactured and tested in conformity with the Contract Documents. These certificates shall be notarized and shall include copies of the results of physical tests and chemical analyses, where necessary, that have been made directly on the product or on similar products of the manufacturer.

### **G-5.05 SHOP TESTS OF OPERATING EQUIPMENT**

Each piece of equipment for which pressure, duty, capacity, rating, efficiency, performance, function, or special requirements are specified shall be tested in the shop of the maker in a manner which shall conclusively prove that its characteristics comply fully with the requirements of the Contract Documents. No such equipment shall be shipped to the work until the Engineer notifies the Contractor, in writing, that the results of such tests are acceptable.

Five copies of the manufacturer's actual test data and interpreted results thereof, accompanied by a certificate of authenticity sworn to by a responsible official of the manufacturing company, shall be forwarded to the Engineer for approval.

The cost of the shop tests and of furnishing manufacturer's preliminary and shop test data of operating equipment shall be borne by the Contractor.

### **G-5.06 PRELIMINARY FIELD TESTS**

As soon as conditions permit, the Contractor shall furnish all labor, materials, and instruments and shall make preliminary field tests of equipment. If the preliminary field tests disclose any equipment furnished under this Contract which does not comply with the requirements of the Contract Documents, the Contractor shall, prior to the acceptance tests, make all changes, adjustments, and replacements required.

## TEMPORARY STRUCTURES

### G-5.07 FINAL FIELD TESTS

Upon completion of the work and prior to final payment, all equipment and appliances installed under this Contract shall be subjected to acceptance tests as specified or required to prove compliance with the Contract Documents.

The Contractor shall furnish labor, fuel, energy, water and all other materials, equipment, and instruments necessary for all acceptance tests, at no additional cost to the City.

### G-5.08 FAILURE OF TESTS

Any defects in the materials and equipment or their failure to meet the tests, guarantees or requirements of the Contract Documents shall be promptly corrected by the Contractor by replacements or otherwise. The decision of the Engineer as to whether or not the Contractor has fulfilled his obligations under the Contract shall be final and conclusive. If the Contractor fails to make those corrections or if the improved materials and equipment, when tested, shall again fail to meet the guarantees or specified requirements, the City, notwithstanding its partial payment for work, and materials and equipment, may reject the materials and equipment and may order the Contractor to remove them from the site at his own expense.

In case the City rejects any materials and equipment, then the Contractor shall replace the rejected materials and equipment within a reasonable time. If he fails to do so, the City may, after the expiration of a period of thirty calendar days after giving him notice in writing, proceed to replace such rejected materials and equipment, and the cost thereof shall be deducted from any compensation due or which may become due the Contractor under this Contract.

The City agrees to obtain other equipment within a reasonable time and the Contractor agrees that the City may use the equipment furnished by him without rental or other charges until the new equipment is obtained.

Materials or work in place that fails to pass acceptability tests shall be retested at the direction of the construction engineer all such retests shall be at the Contractor's expense. The rates charged shall be in accordance with the Department of Public Works current annual inspection contract which is available for inspection at the offices of the Department of Public Works.

### G-5.09 FINAL INSPECTION

The procedures for final inspection shall be in accordance with the provisions of Article 4.07 of the Agreement. During such final inspections, the work shall be clean and free from water. In no case will the final estimate be prepared until the Contractor has complied with all the requirements set forth and the Engineer has made his final inspection of the entire work and is satisfied that the entire work is properly and satisfactorily constructed in accordance with the requirements of the Contract Documents.

## SECTION 6

### G-6.01 GENERAL

All false work, scaffolding, ladders, hoistways, braces, pumping plants, shields, trestles, roadways, sheeting, centering forms, barricades, drains, flumes, and the like, any of which may be needed in the construction of any part of the work and which are not herein described or specified in detail, must be furnished, maintained and removed by the Contractor, and he shall be responsible for the safety and efficiency of such works and for any damages that may result from their failure or from their improper construction, maintenance, or operation.

### G-6.02 PUBLIC ACCESS

At all points in the work where public access to any building, house, place of business, public road, or sidewalk would be obstructed by any action of the Contractor in executing the work required by this Contract, the Contractor shall provide such temporary structure, bridges or roadway as may be necessary to maintain public access at all times. At least one lane for vehicular traffic shall be maintained in streets in which the Contractor is working. Street closure permits are required from the Department of Public Works.

The Contractor shall provide suitable temporary bridges, as directed by the Engineer, at street intersections when necessary for the maintenance of vehicular and pedestrian traffic.

Prior to temporarily cutting of access to driveways and garages, the Contractor shall give twelve (12) hours notice to affected property owners. Interruptions to use of private driveways shall be kept to a minimum.

### G-6.03 CONTRACTOR'S FIELD OFFICE

The Contractor shall erect, furnish and maintain a field office with a telephone at the site during the entire period of construction. He or an authorized agent shall be present at this office at all times while his work is in progress. Readily accessible copies of both the Contract Documents and the latest approved working drawings shall be kept at this field office.

### G-6.04 TEMPORARY FENCE

If, during the course of the work, it is necessary to remove or disturb any fence or part thereof, the Contractor shall, at his own expense, if so ordered by the Engineer, provide a suitable temporary fence which shall be maintained until the permanent fence is replaced. The Engineer shall be solely responsible for the determination of the necessity for providing a temporary fence and the type of temporary fence to be used.

### G-6.05 RESPONSIBILITY FOR TEMPORARY STRUCTURES

In accepting the Contract, the Contractor assumes full responsibility for the sufficiency and safety of all temporary structures or work and for any damage which may result from their failure or their improper construction, maintenance, or operation and will indemnify and save harmless the City from

all claims, suits or actions and damages or costs of every description arising by reason of failure to comply with the above provisions.

## **SECTION 7 TEMPORARY SERVICES**

### **G-7.01 WATER**

The Contractor shall provide the necessary water supply at his own expense. He shall, if necessary, provide and lay necessary waterlines from existing mains to the place of using, shall secure all necessary permits and pay for all taps to water mains or hydrants and for all water used at the established rates.

### **G-7.02 LIGHT AND POWER**

The Contractor shall provide, at his own expense, temporary lighting and power facilities required for the proper prosecution and inspection of the work. If, in the opinion of the Engineer, these facilities are inadequate, the Contractor will not be permitted to proceed with any portion of the work affected thereby.

### **G-7.03 SANITARY REGULATIONS**

The Contractor shall prohibit and prevent the committing of nuisances on the site of the work or on adjoining property and shall discharge any employee who violates this rule.

Ample washrooms and toilet facilities and a drinking water supply shall be furnished and maintained in strict conformity with the law by the Contractor for use by his employees.

### **G-7.04 ACCIDENT PREVENTION**

Precautions shall be exercised at all times for the protection of persons and property. The safety provisions of applicable laws, building and construction codes shall be observed. The Contractor shall comply with the U. S. Department of Labor Safety and Health Regulations for construction promulgated under the Occupational Safety and Health Act of 1970 (PL 91-596), and under Section 107 of the Contract Work. Hours and Safety Standards Act (PL 91-54), except where state and local safety standards exceed the federal requirements and except where state safety standards have been approved by the Secretary of Labor in accordance with provisions of the Occupational Safety and Health Act.

### **G-7.05 FIRST AID**

The Contractor shall keep upon the site, at each location where work is in progress, a completely equipped first aid kit and shall provide ready access thereto at all times when men are employed on the work.

### **G-7.06 HEATING**

The Contractor shall provide temporary heat, at his own expense, whenever required on account of work being carried on during cold weather and to prevent freezing of water pipes and other damage to the work.

## **SECTION 8**

## **LINES AND GRADES**

### **G-8.01 GENERAL**

All work done under this Contract shall be constructed in accordance with the lines and grades shown on the Plans, or as given by the Engineer. The full responsibility for keeping alignment and grade shall rest upon the Contractor.

The Engineer will establish bench marks and base line controlling points. Reference remarks for lines and grades as the work progresses will be located to cause as little inconvenience to the prosecution of the work as possible. The Contractor shall so place excavation and other materials as to cause no inconvenience in the use of the use of the reference marks provided. He shall remove any obstructions placed by him contrary to this provision.

### **G-8.02 SURVEYS**

The Contractor shall furnish and maintain, at his own expense, stakes and other such materials, and give such assistance, including qualified helpers, as may be required by the Engineer for setting reference marks. The Contractor shall check such reference marks by such means as he may deem necessary and, before using them, shall call the Engineer's attention to any inaccuracies. The Contractor shall, at his own expense, establish all working or construction lines and grades as required from the reference marks set by the Engineer, and shall be solely responsible for the accuracy thereof. He shall, however, be subject to the check and review of the Engineer.

The Contractor shall keep the Engineer informed a reasonable time in advance as to his need for line and grade reference marks, in order that they may be furnished and all necessary measurements made for record and payment with the minimum of inconvenience to the Engineer or of delay to the Contractor.

It is the intention not to delay the work for the establishment of reference marks but, when necessary, working operations shall be suspended for such reasonable time as the Engineer may require for this purpose.

### **G-8.03 SAFEGUARDING MARKS**

The Contractor shall safeguard all points, stakes, grade marks, monuments and bench marks made or established on the work, bear the cost of reestablishing them if disturbed, and bear the entire expense of rectifying work improperly installed due to not maintaining or protecting or to removing without authorization such established points, stakes and marks.

The Contractor shall safeguard all existing and known property corners, monuments and marks adjacent to but not related to the work and, if required, shall bear the cost of reestablishing them if disturbed or destroyed.

### **G-8.04 DATUM PLANE**

All elevations indicated or specified refer to the Mean Sea Level Datum of the U.S.C. & G.S. (N.O.S.) which is 0.80 feet above the Mean Low Water Datum of the U. S. Army

Corps of Engineers.

## **SECTION 9 ADJACENT STRUCTURES AND LANDSCAPING**

### **G-9.01 RESPONSIBILITY**

The responsibility for removal, replacement, relocation, repair, rebuilding or protection of all public utility installations, including poles, tracks, pipes, wires, conduits, house service connections, vaults, manholes, sewers, traffic control and fire alarm signal circuit installations and other appurtenances and facilities shall be in accordance with G-1.02 and G-1.03.

The Contractor shall also be entirely responsible and liable for all damage or injury as a result of his operations to all other adjacent public and private property, structures of any kind and appurtenances thereto met with during the progress of the work. The cost of protection, replacement in their original locations and conditions or payment of damages for injuries to such adjacent public and private property and structures affected by the work, whether or not shown on the Plans, and the removal, relocation, and reconstruction of such items called for on the Plans or specified shall be included in the various Contract Items and no separate payment will be made therefor. Where such public and private property, structures of any kind and appurtenances thereto are not shown on the Plans and when, in the opinion of the Engineer, removal or relocation and reconstruction is necessary to avoid interference with the work, payment therefor will be made as provided for extra work in Article 7.02 of the Agreement.

### **G-9.02 PROTECTION OF TREES**

All trees and shrubs shall be adequately protected by the Contractor with boxes or otherwise and, within the City of Tampa, in accordance with ordinances governing the protection of trees. No excavated materials shall be placed so as to injure such trees or shrubs. Trees or shrubs destroyed by negligence of the Contractor or his employees shall be replaced by him with new stock of similar size and age, at the proper season, and at the sole expense of the Contractor.

Beneath trees or other surface structures, where possible, pipelines may be built in short tunnels, backfilled with excavated materials, except as otherwise specified, or the trees or structures carefully supported and protected from damage.

The City may order the Contractor, for the convenience of the City, to remove trees along the line of trench excavation. If so ordered, the City will obtain any permits required for removal of trees. Such tree removal ordered shall be paid for under the appropriate Contract Items.

### **G-9.03 LAWN AREAS**

Lawn areas shall be left in as good condition as before the starting of the work. Where sod is to be removed, it shall be carefully removed and later replaced, or the area where sod has been removed shall be restored with new sod in the

manner described in the Technical Specifications section.

### **G-9.04 RESTORATION OF FENCES**

Any fence, or part thereof, that is damaged or removed during the course of the work shall be replaced or repaired by the Contractor and shall be left in as good a condition as before the starting of the work. The manner in which the fence is repaired or replaced and the materials used in such work shall be subject to the approval of the Engineer. The cost of all labor, materials, equipment, and work for the replacement or repair of any fence shall be deemed included in the appropriate Contract Item or Items, or if no specific Item is provided therefor, as part of the overhead cost of the work, and no additional payment will be made therefor.

## **SECTION 10 PROTECTION OF WORK AND PUBLIC**

### **G-10.01 TRAFFIC REGULATIONS**

The Contractor shall arrange his work to comply with Article G-6.02. The work shall be done with the least possible inconvenience to the public and to that end the work may be confined by the Engineer to one block at a time.

### **G-10.02 BARRIERS AND LIGHTS**

During the prosecution of the work, the Contractor shall put up and maintain at all times such barriers, and lights, as will effectually prevent accidents. The Contractor shall provide suitable barricades, red lights, "danger" or "caution" or "street closed" signs and watchmen at all places where the work causes obstructions to the normal traffic or constitutes in any way a hazard to the public. Such barriers and signs shall be constructed to State of Florida Department of Transportation standards and placed as recommended by the Traffic Division of the City's Department of Public Works.

No open fires will be permitted.

### **G-10.03 SMOKE PREVENTIONS**

The Contractor shall use hard coal, coke, oil or gas as fuel for equipment generating steam. A strict compliance with ordinances regulating the production and emission of smoke will be required.

### **G-10.04 NOISE**

The Contractor shall eliminate noise to as great an extent as practicable at all times. Air compressing plants shall be equipped with silencers and the exhaust of all gasoline motors or other power equipment shall be provided with mufflers. In the vicinity of hospitals and schools, special care shall be used to avoid noise or other nuisances. The Contractor shall strictly observe all local regulations and ordinances covering noise control.

Except in the event of an emergency, no work shall be done between the hours of 7:00 p.m. and 7:00 a.m., or on Sundays.

If the proper and efficient prosecution of the work requires operations during the night, the written permission of the Engineer shall be obtained before starting such items of the work.

**SECTION 13  
CLEANING**

**G-10.05 ACCESS TO PUBLIC SERVICES**

Neither the materials excavated nor the materials or plant used in the construction of the work shall be so placed as to prevent free access to all fire hydrants, valves or manholes.

**G-10.06 DUST PREVENTION**

The Contractor shall prevent dust nuisance from his operations or from traffic by keeping the streets sprinkled with water at all times.

**G-10.07 PRIVATE PROPERTY**

The Contractor shall so conduct the work that no equipment, material, or debris will be placed or allowed to fall upon private property in the vicinity of the work unless he shall have obtained the owner's written consent thereto and shall have shown this consent to the Engineer.

**SECTION 11  
SLEEVES AND INSERTS**

**G-11.01 COORDINATION**

When the Contract requires the placing of conduits, saddles, boxes, cabinets, sleeves, inserts, foundation bolts, anchors, and other like work in floors, roofs, or walls of buildings and structures, they shall be promptly installed in conformity with the construction program. The Contractor who erects the floors, roofs, and walls shall facilitate such work by fully cooperating with the Contractors responsible for installing such appurtenances. The Contractor responsible for installing such appurtenances shall arrange the work in strict conformity with the construction schedule and avoid interference with the work of other contractors.

**G-11.02 OPENINGS TO BE PROVIDED**

In the event timely delivery of sleeves and other materials cannot be made and to avoid delay, the affected Contractor may arrange to have boxes or other forms set at the locations where the appurtenances are to pass through or into the floors, roofs, walls, or other work. Upon the subsequent installation of these appurtenances, the Contractor erecting the structure shall fill around them with materials as required by the Contract. The necessary expenditures incurred for the boxing out and filling in shall be borne by the Contractor or Contractors required to furnish the sleeves and inserts. Formed openings and later installation of sleeves will not be permitted at locations subject to hydrostatic pressure.

**SECTION 12  
CUTTING AND PATCHING**

**G-12.01 GENERAL**

The Contractor shall do all cutting, fitting, or patching of his portion of the work that may be required to make the several parts thereof join and coordinate in a manner satisfactory to the Engineer and in accordance with the Plans and Specifications. The work must be done by competent workmen skilled in the trade required by the restoration.

**G-13.01 DURING CONSTRUCTION**

During construction of the work, the Contractor shall, at all times, keep the site of the work and adjacent premises as free from material, debris, and rubbish as is practicable and shall remove the same from any portion of the site if, in the opinion of the Engineer, such material, debris, or rubbish constitutes a nuisance or is objectionable.

The Contractor shall remove from the site all of his surplus materials and temporary structures when no further need therefor develops.

**G-13.02 FINAL CLEANING**

At the conclusion of the work, all erection plant, tools, temporary structures and materials belonging to the Contractor shall be promptly taken away, and he shall remove and promptly dispose of all water, dirt, rubbish or any other foreign substances.

The Contractor shall thoroughly clean all equipment and materials installed by him and shall deliver such materials and equipment undamaged in a bright, clean, polished, and new appearing condition.

**SECTION 14  
MISCELLANEOUS**

**G-14.01 PROTECTION AGAINST SILTATION AND BANK EROSION**

The Contractor shall arrange his operations to minimize siltation and bank erosion on construction sites and on existing or proposed watercourses and drainage ditches.

**G-14.02 EXISTING FACILITIES**

The work shall be so conducted to maintain existing facilities in operation insofar as is possible. Work shall be scheduled to minimize bypassing during construction. Requirements and schedules of operations for maintaining existing facilities in service during construction shall be as described in the Special Provisions.

**G-14.03 USE OF CHEMICALS**

All chemicals used during project construction or furnished for project operation, whether herbicide, pesticide, disinfectant, polymer, reactant or of other classification, must show approval of either EPA or USDA. Use of all such chemicals and disposal of residues shall be in strict conformance with instructions.

\*\*\*\*\*

## SUPPLEMENTARY GENERAL PROVISIONS

### 1.0 GENERAL:

- 1.1 This Section sets forth modifications to the "General Provisions" of the Contract Documents which are referred to as Specifications, General Provisions.
- 1.2 Paragraph numbers and titles used herein refer to similarly numbered and titled articles in the General Provisions.
- 1.3 Only those paragraphs contained herein shall be assumed to be modified. Paragraphs not appearing herein shall apply as written in the General Provisions.
- 1.4 Any portion of the General Provisions, whether or not modified herein, may be further modified in Special Conditions and in the Instructions to Bidders of these Specifications.
- 1.5 Where the Supplementary General Provisions, Special Conditions and Instructions to Bidders conflict with the General Provisions, the Supplementary General Provisions, Special Conditions and the Instructions to Bidders shall take precedence.

### 2.0 MODIFICATIONS TO THE GENERAL PROVISIONS AS FOLLOWS:

#### 2.1 SECTION 1 SCOPE AND INTENT

##### G-1.02 WORK INCLUDED

The first paragraph shall be deleted in its entirety and replaced by the following paragraph:

"The Contractor shall furnish all labor, superintendence, materials, plant, power, light, heat, fuel, water, tools, appliances, equipment, supplies, and other means of construction necessary or proper for performing and completing the work. He shall obtain all required permits. He shall perform and complete the work in the manner best calculated to promote rapid construction consistent with safety of life and property and to the satisfaction of the Engineer, and in strict accordance with the Contract Documents. The Contractor shall clean up the work and maintain it during and after construction, until incidental thereto. He shall repair or restore all during performance of the work."

#### 2.2 SECTION 3 WORKING DRAWINGS

- a. Change to read as follows:

##### SECTION 3 SHOP DRAWINGS

- b. Replace the existing paragraphs in their entirety with the following paragraphs:

##### G-3.01 SCOPE

Shop drawings, schedules, etc., shall be submitted to the Engineer and/or Architect in quadruplet, accompanied by a letter of transmittal. Subcontractors and suppliers shall submit shop drawings and make requests for approvals through their respective prime Contractors.

The drawings shall be numbered consecutively and shall accurately and distinctly present the following:

- (1) Names of equipment or materials, and the locations at which the equipment or materials are to be installed in the work.

- (2) All working and erection dimensions.
- (3) Arrangement and sectional views.
- (4) Necessary details, including complete information for making connections between work under this contract and work under other contracts.
- (5) Kinds of materials and finishes.
- (6) Parts list and description thereof.

The Engineer and/or Architect may decline to consider any shop drawing that does not contain complete data on the work and full information of related matters.

Fax submittals will not be reviewed.

G-3.02 APPROVAL:

Shop drawings shall be examined by the Contractor prior to his transmitting them to the Engineer and/or Architect. Shop drawings submitted to the Engineer and/or Architect shall bear the Contractor's stamp of approval evidencing that he has examined and checked each drawing and that he has found said drawings to be in accordance with the Contract requirements. Any drawings submitted without this stamp will not be considered by the Engineer and/or Architect and will be returned to the Contractor for re- submission.

If the shop drawings show departures from the Contract requirements, the Contractor shall make specific mention thereof in his letter of submittal and the following shall be submitted:

- (1) Each request shall include a complete description of the proposed substitute and the name of the material or equipment for which it is to be substituted.
- (2) Furnish drawings, cut, manufacturer's printed specifications, performance and test data and any other data or information necessary for a complete evaluation of both the item specified and the proposed substitute item.

Approval of the drawings shall constitute approval of the subject matter thereof only and not of any structure, material, equipment or apparatus shown or indicated.

Approval of the drawings shall be general and shall not relieve the Contractor of responsibility for the accuracy of such drawings, nor for the quantities of materials and equipment, nor for the proper fitting and construction of the work, nor for the furnishing of materials, tools, equipment, etc., required by this contract and not indicated on the drawings.

No work called for by Shop Drawings shall be done until the said drawings have been approved by the Engineer and/or Architect.

The Contractor shall revise and resubmit the shop drawings as required by the Engineer and/or Architect until approval thereof is obtained.

The City shall retain four (4) copies of all submittals unless the Engineers and/or Architect makes a specific request for additional copies.

<u>Items</u>	<u>Submittals</u>	<u>*Approval</u>
All trade	Fourteen (14) Days	Fourteen (14) Days

\*From date of receipt of submittal.

Delays on account of tardy or untimely submittals will not be considered as causes of extension of time of the Contract or increases to the Contract Sum.

G-3.03 JOB SITE:

One (1) copy of all approved submittals SHALL BE available at the Contractor's Office at the job site.

2.3 SECTION 4 MATERIALS AND EQUIPMENT

G-4.01 GENERAL REQUIREMENTS

In the first paragraph, second line, delete the word "specifications" and substitute the words "Contract Documents".

G4.03 REFERENCE TO STANDARDS

The following paragraph shall be added in its entirety:

"Compliance with the Standard Building Code, latest edition, and all local electrical and plumbing codes shall be required. In the event of a conflict in code requirements, the most stringent code or standard shall apply."

G-4.05 EQUIVALENT QUALITY

Add the following sentence to paragraph two: "Any professional fees associated with shop drawing review of materials or equipment submitted for approval as equivalent to that specified shall be borne by the Contractor.

2.4 SECTION 5 INSPECTION AND TESTING

G-5.06 PRELIMINARY FIELD TESTS

G-5.07 FINAL FIELD TEST

A. Add the following sentence to BOTH of the above paragraphs:

The Contractor shall provide, at NO EXTRA COST to the City, ALL labor, tools, equipment, materials, etc., for the Engineer and/or Architect to make any field test that may be required in the judgment of the Engineer and/or Architect.

G-6.03 CONTRACTOR'S FIELD OFFICE

A. Delete this paragraph G-6.03 in its entirety.

G-7.07 TELEPHONE

The Contractor shall furnish the Engineer with a telephone number(s) by which the Engineer may contact the site.

## 2.7 SECTION 14 MISCELLANEOUS

### G-14.04 USE OF EXPLOSIVES:

Explosives will not be used on the work except when authorized by the Engineer and/or Architect. The use of same, if authorized, shall conform to laws or ordinances which may pertain to the use of same and the utmost care will be exercised by the Contractor so as not to endanger life or property. The Contractor will assume full responsibility in connection with use of any explosives even though authorized. Explosives will not be stored within the City limits.

### G-14.05 OWNERSHIP OF MATERIALS:

The removal of any underground and surface structures as required shall be performed in a careful manner to permit salvaging of as much material, such as pipe and brick, also broken section of sidewalk, as practical for use in repair and maintenance of City-owned facilities.

Such acceptable salvaged material remains the property of the City and shall be placed in stock piles so as not to interfere with new construction work but accessible for loading and hauling by the City or by the Contractor within the free haul limit of six (6) miles. The Engineer and/or Architect shall direct the Contractor as to the location of stockpile.

The paving material, such as vitrified brick, asphalt block and other paving materials removed from the excavated areas and suitable for reuse but not reused in the work, shall also be considered the property of the City. The handling of such materials shall be as set forth elsewhere in the Specifications or Special Provisions.

### G-14.06 NOTICE OR SERVICE THEREOF:

All notices, which shall include demands, instructions, requests, approvals and claims, shall be in writing.

Any notice to or demand upon the Contractor shall be sufficiently given if delivered to the office of the Contractor specified in the bid (or to such other office as the Contractor may, from time to time, designate to the City in writing), or if deposited in the United States mail in a sealed, postage-prepaid envelope, or delivered, with charges case addressed to such office.

All notices required to be delivered to the City shall, unless otherwise specified in writing to the Contractor, be delivered to the Engineer and/or Architect, Department of Public Works, Municipal Office Building, 4th Floor North, City Hall Plaza, Tampa, Florida 33602, and any notice to or demand upon the City shall be sufficiently given if delivered to the office of the said Engineer and/or Architect, or if deposited in the United States mail in a sealed, postage- prepaid envelope, or delivered with charges prepaid to any telegraph company for transmission, in each case addressed to said Engineer and/or Architect or to such other representative of the City or to such other address as the City may subsequently specify in writing to the Contractor for such purposes.

Any such notice or demand shall be deemed to have been given or made as of the time of actual delivery or (in the case of mailing) when the same should have been received in due course of post or (in the case of telegram) at the time of actual receipt, as the case may be.

### G-14.07 REQUIREMENTS FOR CONTROL OF THE WORK:

Prior to the start of the work included in this contract, a Preconstruction Conference will be held by the Engineer and/or Architect to be attended by the Contractor and representatives of the various utilities and others for the purpose of establishing a schedule of operations which will coordinate the work to be done under this contract with all related work to be done by others within the limits of the project. The Contractor shall be prepared for this meeting and shall present a comprehensive construction schedule for all items of work to be accomplished by him,

which will be used as the basis for the development of an overall operational schedule and a list of subcontractors to be used on this work.

All items of work on this contract shall be coordinated so that progress on each related work item will be continuous from week to week. The progress of the work will be reviewed by the Engineer and/or Architect at the end of each week, and if the progress on any item of work during that week is found to be unsatisfactory, the Contractor shall be required to adjust the rate of progress on that item or other items as directed by the Engineer and/or Architect.

The Contractor shall conduct his operations in such a manner as will result in a minimum of inconvenience to occupants of adjacent homes and business establishments and shall provide temporary access as directed or as conditions in any particular location may require.

G-14.08 WORK DIRECTIVE CHANGE:

"A Work Directive Change is a written directive to the Contractor, issued on or after the date of the execution of the Agreement, and signed by the Engineer on behalf of the City, ordering an addition, deletion or revision in the work, or responding to an emergency. A Work Directive Change will not change the contract price or the time for completion, but is evidence that the parties expect that the change directed or documented by a Work Directive Change will be incorporated in a subsequently issued Change Order following negotiations by the parties as to its effect, if any, on the contract price or the time for completion. "Without invalidating the Agreement, additions, deletions or revisions in the Work may, at any time or from time to time, be authorized by a Change Order or a Work Directive Change. Upon receipt of any such document, the Contractor shall promptly proceed with the work involved."

G-14.09 RESERVED PARKING SIGNS IN PARKING METER AREAS

Not Applicable.

G-14.10 EROSION AND SEDIMENT CONTROL:

During construction, the Contractor shall provide adequate erosion and sediment controls to prevent adverse effects to the environment and public and private property. He shall construct and maintain control structures necessary to prevent erosion and sediment. He shall conduct and schedule construction operations to avoid, prevent, and minimize erosion and sediment. He shall comply with City, County, State, and Federal codes, laws, and regulations and the plans and specifications for this project pertaining to erosion and sediment prevention and control.

At the Preconstruction Conference, the Contractor shall present a plan for erosion and sediment prevention and control. This plan shall include the operations methods, also temporary and permanent control measures and structures to be used on this project.

G-14.11 ENGINEER'S FIELD OFFICE:

Not Applicable.

G-14.12 PROJECT SIGNS:

The Contractor shall furnish and install, as directed by the Engineer and/or Architect, a project sign of design, size, color, etc., as per drawing pages SIGN-1 and SIGN-2.

END OF SECTION SGP

## SPECIAL CONDITIONS

### 1.0 PRECONSTRUCTION BRIEFING:

The Contractor, upon receiving notice that he has been awarded the contract for the construction of the project, shall make an appointment with the Engineer and/or Architect for said briefing. The Contractor shall bring to this meeting the following:

1. Contract Documents not yet submitted.
2. A detailed Job Progress Schedule.
3. Samples, questions, etc., he feels necessary.
4. List of subcontractors.

Failure to bring the above items to the meeting will result in cancellation of meeting. Once items have been submitted, meeting will be rescheduled by the City. Site access and commencement of work will not be allowed during period between meetings.

Contractor shall have representatives present at meeting that are familiar with, and conversant on, the scope of the work and Contract Document requirements. Failure to have such persons present will also result in cancellation and rescheduling of meeting until such a time when condition is corrected.

Elapsed time as a result of the Contractor's failure to comply with above will not result in an extension of contract time.

### 2.0 SITE REVIEW:

Before submitting Proposals, Bidders shall carefully examine the entire site of the proposed work and adjacent premises and the various means of approach and access to the site, and make all necessary investigations to inform themselves thoroughly as to the facilities for delivering, placing and operating the necessary construction equipment, and for delivering and handling materials at the site, and inform themselves thoroughly as to all difficulties involved in the completion of all the work in accordance with the Contract Documents.

The Contractor shall immediately, upon entering project site for the purpose of beginning work, review project site with the Engineer and/or Architect for the purpose of selecting area(s) to place materials for storage.

The Contractor must exercise proper precaution to verify all figures shown or indicated on the drawings, all existing trees, paved areas; utilities, etc., shall be located before beginning any work, and he shall be held responsible for any error resulting from his failure to exercise such precaution.

### 2.1 LAYING OUT WORK:

The Contractor shall locate all general reference points and take necessary action to prevent their destruction; lay out his own work and be responsible for all lines, elevations, measurements, grading, trenching, backfilling, utilities and other work to be executed by him for a complete project under this contract.

The Contractor shall lay out all work and have final approval by the Engineer and/or Architect before installation begins. Contractor shall be held responsible for any error resulting from his failure to exercise such approval. Said errors shall be corrected by the Contractor at NO EXTRA COST to the City.

The Contractor shall coordinate with the Parks Department and shall identify each and every tree to remain prior to the start of work. The specific trees to remain shall be approved by the Parks Department.

The final location of all work to be performed shall be made jointly by the Engineer and/or Architect and the Contractor at the project site.

### 3.0 SAFETY AND HEALTH STANDARDS:

The performance of all construction under this contract shall conform to ALL Local, State, Federal Occupation Safety and Health Act Standards.

At the end of each work day, all work areas shall be left in a safe condition. Barricades and/or warning devices shall be provided for at any open excavations or barriers on the project site.

The Contractor's attention is directed to paragraphs Article 3.07 (page A-10) and Article 12.03 (page A-31) of the Agreement, and paragraph G-7.04 (page G-18) of the General Provisions.

### 4.0 INFORMATION FOR COLOR SCHEDULES:

Not later than thirty (30) calendar days after authorization to proceed with contract work, the Contractor shall submit to the Engineer and/or Architect the names of all manufacturers and trade names for all materials involving selection based upon color or texture or other design appearance features which are to be used in this project. Where samples are necessary for such selection, furnish same.

If such information is not furnished by Contractor within thirty (30) day period, the Engineer and/or Architect will select colors and textures from products named in the Contract Documents.

### 5.0 RESPONSIBILITY OF CONTRACTOR:

The Contractor shall take all necessary precautions to protect all project surfaces and adjoining areas from mechanical damage from tools, equipment, materials, supports, etc., and shall provide adequate protection from leaking lubricants or fluids from his equipment.

Damage to said project surfaces and adjoining areas caused by a lack of protection or negligence by the Contractor shall be repaired and/or replaced at NO EXTRA COST to the City and to the full satisfaction of the Engineer and/or Architect.

The Contractor and all subcontractors are charged with the protection of the work and property, but the final responsibility for these provisions rests with the Contractor who shall take complete charge of the project site from start to finish of work.

The Contractor shall take particular precautions to protect existing trees and plant material. All trees and other plant material to remain shall be marked by the City prior to start of work.

Excavation, earthwork or sitework within the drip line of existing trees shall be done either manually or by methods approved by the City of Tampa Parks Department.

If the Contractor damages any tree or plant material in any way he shall be required to replace the damaged tree or plant material as follows:

1. Trees
  - a. Replace a 6" caliper or less with a 6" caliper of the same species.
  - b. Replace a 7"-10" caliper with two (2) 6" caliper of the same species.
  - c. Replace a 10"-15" caliper with three 6" caliper of the same species.
  - d. Replace a 16"-20" caliper with five (5) 6" caliper of the same species.

e. Replace a 21"-36" caliper with ten (10) 6" caliper of the same species.

2. Plant Material

Replace any damaged plant material with an equal size and quantity of the same material.

The replaced trees and plant material shall be guaranteed by the Contractor for a period of six (6) months.

6.0 COORDINATION WITH N.I.C. ITEMS:

The Contractor shall give to the Engineer and/or Architect, in writing, a time schedule for the installation or removal of all N.I.C. items at the beginning of the project. Failure of the Contractor to supply the Engineer and/or Architect with said schedule shall not be used for reason of time extension by the Contractor.

7.0 ELECTRICAL SERVICE LOCATION:

The Contractor shall verify and coordinate the service location with the local power company and the Engineer and/or Architect.

The Contractor shall coordinate with the local power company and shall include in his bid all costs for electrical service to work area(s) under this Contract, including but not limited to new service, connections from existing and/or new service and all required labor, equipment, materials etc. and all other associated electrical work.

8.0 SCHEDULING:

The Contractor shall provide the City with a detailed schedule prior to start of work.

The schedule shall be a fully developed, horizontal bar-chart type Contractor's construction schedule. Provide a separate time bar for each significant construction activity. Provide a continuous vertical line to identify the first working day of each week. Use the same breakdown of units of the Work as indicated in the "Schedule of Values".

Unless otherwise directed or approved, prepare schedule on a single 8-1/2" X 14" sheet of plain bond white paper.

Secure time commitments for performing critical elements of the Work from parties involved. Coordinate each element on the schedule with other construction activities; include minor elements involved in the sequence of the Work. Show each activity in proper sequence. Indicate graphically the sequences necessary for completion of related portions of the Work.

Contractor shall also prepare schedule in accordance with applicable portions of Section 4.02 of the Agreement.

9.0 ASSIGNMENT OF CONTRACT: Not applicable.

10.0 WORKMANSHIP AND MATERIALS:

Workmanship and materials shall be installed in accordance with accepted standards of the specific trade, as defined by the applicable recognized trade association(s). In the event of a conflict between these trade standards and the Contract Documents, the conflict shall be brought to the Engineer's and/or Architect's attention writing and the final decision shall be made by the Engineer and/or Architect.

11.0 RECORD DRAWINGS:

During the course of the work, Contractor shall maintain, at the site, a clean undamaged set of the Contract Documents. Contractor shall mark set, on a daily basis, with location and progress of all contract work, including but not limited to:

1. Sewer, water, stormwater and irrigation fabrication drawings showing to scale all manholes, all distances and angles between manholes, line dimension, grid co-ordinates, trunk lines, inverts and cleanouts,
2. Fencing, roadway, parking and sleeving,
3. Electrical service, and
4. General building location.

Drawings shall be on site at all times and available for review by the City. Failure of Contractor to have drawings on site and/or up to date may result in suspension of work until situation is corrected. Extension of contract will not be granted for such condition.

At conclusion of work, the Contractor shall provide the City with one complete set of Electronic Record Drawings incorporating changes described above, and four marked hard copy sets of as-built record drawings clean and damaged free shall also be submitted to the City at the same time. Electronic files will be issued to the Contractor by the City of Tampa. These files will be AutoCAD DWG, AutoCAD DWF or Adobe PDF latest versions.

A Work Directive Change is a written directive to the Contractor, issued on or after the date of the execution of the Agreement, and signed by the Engineer on behalf of the City, ordering an addition, deletion or revision in the work, or responding to an emergency. A Work Directive Change will not change the contract price or the time for completion, but is evidence that the parties expect that the change directed or documented by an Authorization to Proceed with Extra Work letter will be incorporated in a subsequently issued Change Order following negotiations by the parties as to its effect, if any, on the contract price or the time for completion.

Without invalidating the Agreement, additions, deletions or revisions in the work may, at any time or from time to time, be authorized by a Change Order or a Work Directive Change. Upon receipt of any such document, the Contractor shall promptly proceed with the work involved.

12.0 ON SITE RECYCLABLE CRITERIA:

Contractor shall make reasonable attempts to recycle and/or salvage at least 50% of non-hazardous construction and demolition debris. Contractor shall develop and implement a Construction Waste Management Plan that identifies the materials that are to be diverted from disposal by weight or volume and be directed to a recycling facility. Specific area(s) on the construction site shall be designated for collection and tracking of the designated materials as needed. Location of the recycling area on site shall be coordinated with the project owner's representative on site prior to construction start. The intent of this section is to encourage recycling where practical in the context of the scope of work.

Contractor shall submit the following but not limited to items related to this section:

1. Provide a submittal of the contractor's plan of action to recycle
2. Contractor is required to document all activities with above requirements and provide to the city upon request items that are recyclable, documentation of the quantity of material disposed at a recycling facility.



## **Instructions for completing The Sub-(Contractors/Consultants/ Suppliers) Payment Form**

This form must be submitted with all invoicing or payment requests where there has been subcontracting rendered for the pay period. If applicable, after payment has been made to the subcontractor, "Waiver and Release of Lien upon Progress Payment", "Affidavit of Contractor in Connection with Final Payment", or an affidavit of payment must be submitted with the amount paid for the pay period. The following will detail what data is required for this form. The instructions that directly follow are for the form heading information pertaining to the project and prime.

**Contract No.** This is the number assigned by the City of Tampa for the bid or proposal

**W.O.#** If the report covers a work order number (W.O.#) for the contract, please indicate it in that space.

**Contract Name.** This is the name of the contract assigned by the City of Tampa for the bid or proposal.

**Contractor Name.** The name of your business.

**Address.** The physical address of your business.

**Federal ID.** A number assigned to a business for tax reporting purposes.

**Phone.** Telephone number to contact business.

**Fax.** Fax number for business.

**Email.** Provide email address for electronic correspondence.

**Pay Period.** Provide start and finish dates for pay period. (e.g. 05/01/07 – 05/31/07)

**Payment Request/Invoice Number.** Provide sequence number for payment requests. (ex. Payment one, write 1 in space, payment three, write 3 in space provided.)

**City Department.** The City of Tampa department to which the contract pertains.

**Total Amount Requested for pay period.** Provide all dollars you are expecting to receive for the pay period.

**Total Contract Amount (including change orders).** Provide expected total contract amount. This includes any change orders that may increase or decrease the original contract amount.

**Signed/Name/Title/Date.** This is your certification that the information provided on the form is accurate.

**See attached documents.** Check if you have provided any additional documentation relating to the payment data. Located at the bottom middle of the form.

**Partial Payment.** Check if the payment period is a partial payment, not a final payment. Located at the top right of the form.

**Final Payment.** Check if this period is the final payment period. Located at the top right of the form.

The following instructions are for information of any and all subcontractors used for the pay period.

**(Type) of Ownership.** Indicate the Ethnicity and Gender of the owner of the subcontracting business or SLBE.

**Trade/Work Activity.** Indicate the trade, service, or material provided by the subcontractor.

**SubContractor/SubConsultant/Supplier.** Please indicate status of firm on this contract.

**Federal ID.** A number assigned to a business for tax reporting purposes. This information is critical in proper identification of the subcontractor.

**Company Name, Address, Phone & Fax.** Provide company information for verification of payments.

**Total Subcontract Amount.** Provide total amount of subcontract for subcontractor including change orders.

**Amount Paid To Date.** Indicate all dollars paid to date for the subcontractor.

**Amount Pending, Previously Reported.** Indicate any amount previously reported that payments are pending.

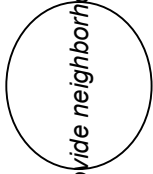
**Amount To Be Paid for this Period.** Provide dollar amount of dollars requested for the pay period.

**Sub Pay Period Ending Date.** Provide date for which subcontractor invoiced performed work.

*Forms must be signed and dated or will be considered incomplete. The company authorized representative must sign and certify the information is true and accurate. Failure to sign this document or return the document unsigned can be cause for determining a company is in non-compliance of Ordinance 2008-89.*

If any additional information is required or you have any questions, you may call the Minority Business Development Office at (813) 274-5522.

City to provide neighborhoods decal



**Project Manager :**

**Don Cermeno**

**DPW Construction Engineer**

**City of Tampa**

**Phone : (813) 635-3400**

**Email : don.cermeno@tampagov.net**

*contractor name here*

# City of Tampa Improvement Project

*brief project description (2 - 3 lines)*

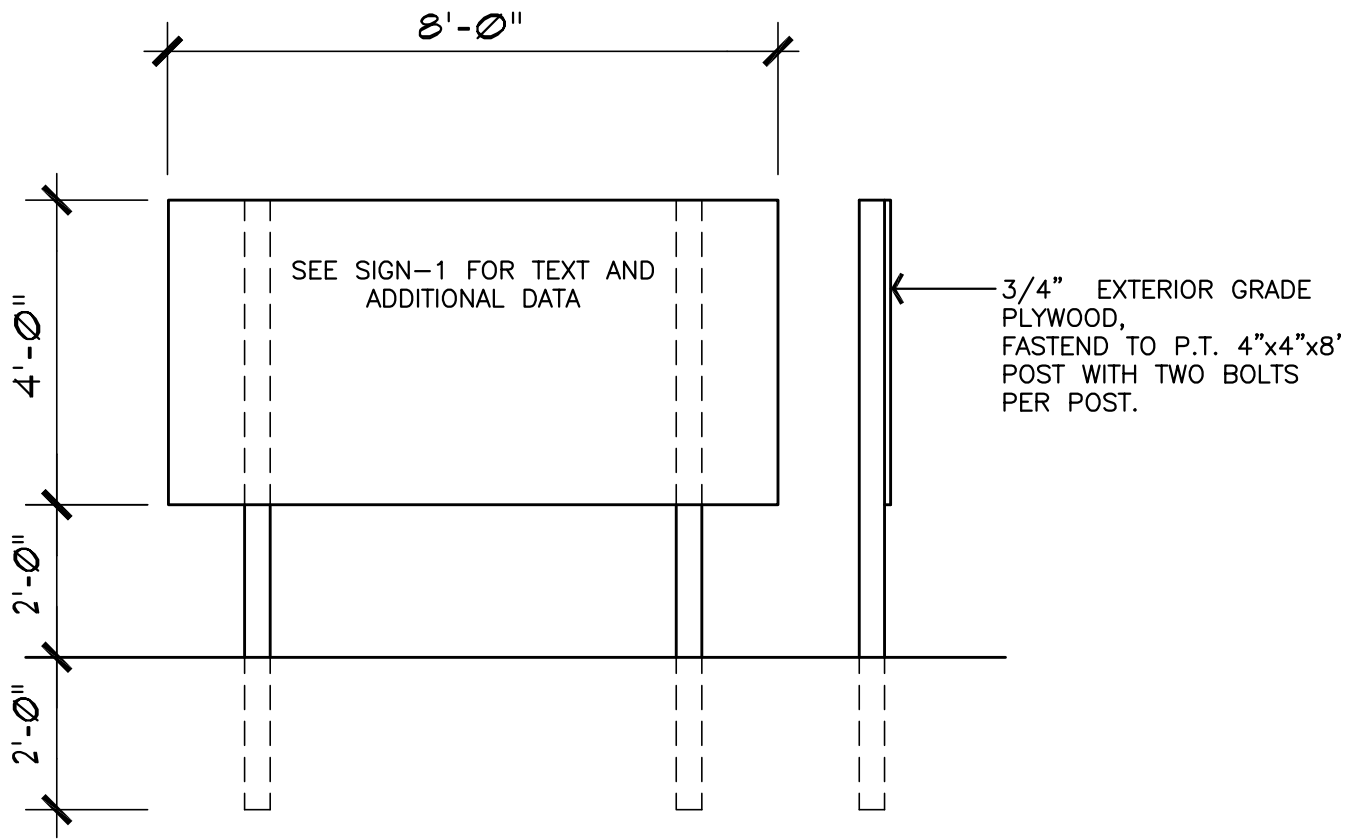
*total appropriated cost (round off) - duration of construction*

**Scheduled for completion in (date)**

*supplemental project description (max. 2 lines)*

**For information, please call : (813) 635-3400**

- NOTES :
1. Letter Color : Black, Font : Times New Roman, bold.
  2. Background Color (front, back and edges) : Benjamin Moore Paint, Natural Wicker OC-1.
  3. Post Color : Black.
  4. Contractor shall verify text with the City prior to sign fabrication.



SECTION 01010 - SUMMARY OF WORK

1.0 GENERAL:

The work shall consist of furnishing all materials, labor, equipment, tools, and all items and services required for the complete construction in conformity with Contract Documents of:

LaCasa Subdivision Alley Project  
Between North 17<sup>th</sup> and North 18<sup>th</sup> Streets  
North of East 15<sup>th</sup> Avenue and South of East Columbus Drive  
for the  
City of Tampa

All construction work and materials, in addition to complying with requirements of Contract Documents, shall fully comply with all requirements of local building codes, all ordinances, and regulations of other Federal, State and public authorities having jurisdiction over this type of work in the given area.

2.0 SCOPE:

The work shall include but not be limited to, construction of an asphalt alley, installation of brick pavers, concrete curb, sidewalk, with all associated work required for a complete project, as shown and indicated on the Drawings and in the Specifications.

3.0 LEGAL DESCRIPTION OF PROJECT SITE:

Legal description as shown on the drawings, Cover Sheet.

4.0 VERIFICATION OF OWNER'S SURVEY DATA:

Prior to commencing any work, the Contractor shall satisfy himself as to accuracy of all survey data which shall affect his work as indicated in these plans and specifications and/or provided by the City.

Should the Contractor discover any inaccuracies or errors which will affect his work, he shall notify the Engineer and/or Architect in order that proper adjustments can be ordered.

The exact location of the project is shown on the cover sheet of the drawings, conflict with this location shall be identified to the Engineer prior to construction to discuss adjustments and remedies. NO work shall commence until said final approval of the locations is made by the Engineer and/or Architect.

5.0 CONTRACT DOCUMENTS:

- a. BIDDING REQUIREMENTS
- b. GENERAL PROVISIONS, SUPPLEMENTARY GENERAL PROVISIONS, AND SPECIAL CONDITIONS

6.0 SPECIFICATIONS: (DATED: February, 2010)

Divisions: 1, 2.

7.0 DRAWINGS: (DATED: December, 2009)

Sheets:

Cover Sheet, G-2, G-3, C-1, C-2 and CD-1.

8.0 ADDENDA AND LETTERS OF CLARIFICATION:

All addenda and letters of clarification issued prior to bid opening time date.

SECTION 01020 - ALLOWANCES

PART 1 - GENERAL

RELATED DOCUMENTS

Drawings and general provisions of the Contract, including General and Supplementary Conditions and other Division 1 Specification Sections, apply to this Section.

SUMMARY

This Section includes administrative and procedural requirements governing allowances.

Types of allowances include the following:

Contingency allowances.

SELECTION AND PURCHASE

SUBMITTALS

Submit proposals for purchase of products or systems included in allowances, in the form specified for Change Orders.

Submit invoices or delivery slips to show the actual quantities of materials delivered to the site for use in fulfillment of each allowance.

CONTINGENCY ALLOWANCES

Use the contingency allowance only as directed by the Owner.

The Contractor's related costs for services, products and equipment ordered by the Owner under the contingency allowance are not part of the Contract Sum. These costs include delivery, installation, taxes, insurance, equipment rental, and similar costs.

Work Directive Change Orders authorizing use of funds from the contingency allowance will include Contractor's related costs and reasonable overhead and profit margins.

At Project closeout, credit unused amounts remaining in the contingency allowance to the Owner by Change Order.

PART 2 - PRODUCTS (Not Applicable)

PART 3 - EXECUTION

EXAMINATION

Examine products covered by an allowance promptly upon delivery for damage or defects.

PREPARATION

Coordinate materials and their installation for each allowance with related materials and installations to ensure that each allowance item is completely integrated and interfaced with related work.

SCHEDULE OF ALLOWANCES

Allowance No. 1: Include a contingency allowance of \$3,000 for use according to the Owner's instructions. The allowance shall be included in the Base Bid.

END OF SECTION 01020

## SECTION 01040 - PROJECT COORDINATION

### PART 1 - GENERAL

#### RELATED DOCUMENTS

Drawings and general provisions of Contract, including General and Supplementary Conditions and other Division-1 Specification Sections, apply to this Section.

#### SUMMARY

This Section specifies administrative and supervisory requirements necessary for Project coordination including, but not necessarily limited to:

- Coordination.
- Administrative and supervisory personnel.
- General installation provisions.
- Cleaning and protection.

#### COORDINATION

Coordination: Coordinate construction activities included under various Sections of these Specifications to assure efficient and orderly installation of each part of the Work. Coordinate construction operations included under different Sections of the Specifications that are dependent upon each other for proper installation, connection, and operation.

Where installation of one part of the Work is dependent on installation of other components, either before or after its own installation, schedule construction activities in the sequence required to obtain the best results.

Where availability of space is limited, coordinate installation of different components to assure maximum accessibility for required maintenance, service and repair.

Make adequate provisions to accommodate items scheduled for later installation.

Where necessary, prepare memoranda for distribution to each party involved outlining special procedures required for coordination. Include such items as required notices, reports, and attendance at meetings.

Prepare similar memoranda for the Owner and separate Contractors where coordination of their Work is required.

Administrative Procedures: Coordinate scheduling and timing of required administrative procedures with other construction activities to avoid conflicts and ensure orderly progress of the Work. Such administrative activities include, but are not limited to, the following:

- Preparation of schedules.
- Installation and removal of temporary facilities.
- Delivery and processing of submittals.
- Progress meetings.
- Project Close-out activities.

Conservation: Coordinate construction activities to ensure that operations are carried out with consideration given to conservation of energy, water, and materials.

Salvage materials and equipment involved in performance of, but not actually incorporated in, the work. Refer to other sections for disposition of salvaged materials that are designated as Owner's property.

### SUBMITTALS

Coordination Drawings: Prepare and submit coordination Drawings where close and careful coordination is required for installation of products and materials fabricated off-site by separate entities, and where limited space availability necessitates maximum utilization of space for efficient installation of different components.

Show the interrelationship of components shown on separate Shop Drawings.

Indicate required installation sequences.

Staff Names: At the Preconstruction Conference, submit a list of the Contractor's principal staff assignments, including the Superintendent and other personnel in attendance at the site; identify individuals, their duties and responsibilities; list their addresses and telephone numbers.

Post copies of the list in the Project meeting room, the temporary field office, and each temporary telephone.

### PART 2 - PRODUCTS (Not Applicable).

### PART 3 - EXECUTION

#### GENERAL INSTALLATION PROVISIONS

Inspection of Conditions: Require the Installer of each major component to inspect both the substrate and conditions under which Work is to be performed. Do not proceed until unsatisfactory conditions have been corrected in an acceptable manner.

Manufacturer's Instructions: Comply with manufacturer's installation instructions and recommendations, to the extent that those instructions and recommendations are more explicit or stringent than requirements contained in Contract Documents.

Inspect materials or equipment immediately upon delivery and again prior to installation. Reject damaged and defective items.

Provide attachment and connection devices and methods necessary for securing Work. Secure Work true to line and level. Allow for expansion and building movement.

Visual Effects: Provide uniform joint widths in exposed Work. Arrange joints in exposed Work to obtain the best visual effect. Refer questionable choices to the Architect for final decision.

Recheck measurements and dimensions, before starting each installation.

Install each component during weather conditions and Project status that will ensure the best possible results. Isolate each part of the completed construction from incompatible material as necessary to prevent deterioration.

Coordinate temporary enclosures with required inspections and tests, to minimize the necessity of uncovering completed construction for that purpose.

Mounting Heights: Where mounting heights are not indicated, install individual components at standard mounting heights recognized within the industry for the particular application indicated. Refer questionable mounting height decisions to the Architect for final decision.

### CLEANING AND PROTECTION

During handling and installation, clean and protect construction in progress and adjoining materials in place. Apply protective covering where required to ensure protection from damage or deterioration at Substantial Completion.

Clean and maintain completed construction as frequently as necessary through the remainder of the construction period. Adjust and lubricate operable components to ensure operability without damaging effects.

Limiting Exposures: Supervise construction activities to ensure that no part of the construction, completed or in progress, is subject to harmful, dangerous, damaging, or otherwise deleterious exposure during the construction period. Where applicable, such exposures include, but are not limited to, the following:

- Excessive static or dynamic loading.
- Excessive internal or external pressures.
- Excessively high or low temperatures.
- Thermal shock.
- Excessively high or low humidity.
- Air contamination or pollution.
- Water or ice.
- Solvents.
- Chemicals.
- Light.
- Radiation.
- Puncture.
- Abrasion.
- Heavy traffic.
- Soiling, staining and corrosion.
- Bacteria.
- Rodent and insect infestation.
- Combustion.
- Electrical current.
- High speed operation,
- Improper lubrication,
- Unusual wear or other misuse.
- Contact between incompatible materials.
- Destructive testing.
- Misalignment.
- Excessive weathering.
- Unprotected storage.
- Improper shipping or handling.
- Theft.
- Vandalism.

SPECIAL PROJECT COORDINATION ITEMS

1. The City of Tampa Parks and Recreation Department will perform all tree removal, root pruning and/or trimming. Contractor shall coordinate with the City during this work effort.
2. Public right of entry: the City has secured access agreements for the various properties affected by the work. Contractor shall minimize encroachment as properties to perform the work. Contractor shall restore all affected areas prior to completing the project.

END OF SECTION 01040

## SECTION 01045 - CUTTING AND PATCHING

### PART 1 - GENERAL

#### RELATED DOCUMENTS

Drawings and general provisions of Contract, including General and Supplementary Conditions and other Division-1 Specification Sections, apply to this Section.

#### SUMMARY

This Section specifies administrative and procedural requirements for cutting and patching.

Refer to other Sections for specific requirements and limitations applicable to cutting and patching individual parts of the Work.

Demolition of selected portions of the building for alterations is included in Section "Selective Demolition."

#### QUALITY ASSURANCE

Requirements for Structural Work: Do not cut and patch structural elements in a manner that would reduce their load-carrying capacity or load-deflection ratio.

Obtain approval of cutting and patching before cutting the following:

- Foundation construction.
- Bearing and retaining walls.
- Structural concrete.
- Structural steel.
- Lintels.
- Structural decking.
- Miscellaneous structural metals.
- Equipment supports.
- Piping, ductwork, vessels and equipment.

Operational and Safety Limitations: Do not cut and patch operating elements or safety related components in a manner that would result in reducing their capacity to perform as intended, or result in increased maintenance, or decreased operational life or safety.

Visual Requirements: Do not cut and patch construction exposed on the exterior or in occupied spaces, in a manner that would, in the Architect's opinion, reduce the building's aesthetic qualities, or result in visual evidence of cutting and patching. Remove and replace Work cut and patched in a visually unsatisfactory manner.

### PART 2 - PRODUCTS

#### MATERIALS

Use materials that are identical to existing materials. If identical materials are not available or cannot be used where exposed surfaces are involved, use materials that match existing adjacent surfaces to the fullest extent possible with regard to visual effect. Use materials whose installed performance will equal or surpass that of existing materials.

## PART 3 - EXECUTION

### INSPECTION

Before cutting existing surfaces, examine surfaces to be cut and patched and conditions under which cutting and patching is to be performed. Take corrective action before proceeding, if unsafe or unsatisfactory conditions are encountered.

### PREPARATION

Temporary Support: Provide temporary support of Work to be cut.

Protection: Protect existing construction during cutting and patching to prevent damage. Provide protection from adverse weather conditions for portions of the Project that might be exposed during cutting and patching operations.

Avoid interference with use of adjoining areas or interruption of free passage to adjoining areas.

Take all precautions necessary to avoid cutting existing pipe, conduit or ductwork serving the building, but scheduled to be removed or relocated until provisions have been made to bypass them.

### PERFORMANCE

General: Employ skilled workmen to perform cutting and patching. Proceed with cutting and patching at the earliest feasible time and complete without delay.

Cut existing construction to provide for installation of other components or performance of other construction activities and the subsequent fitting and patching required to restore surfaces to their original condition.

Cutting: Cut existing construction using methods least likely to damage elements to be retained or adjoining construction. Where possible review proposed procedures with the original installer; comply with the original installer's recommendations.

In general, where cutting is required use hand or small power tools designed for sawing or grinding, not hammering and chopping. Cut holes and slots neatly to size required with minimum disturbance of adjacent surfaces. Temporarily cover openings when not in use.

To avoid marring existing finished surfaces, cut or drill from the exposed or finished side into concealed surfaces.

Cut through concrete and masonry using a cutting machine such as a carborundum saw or diamond core drill.

Comply with requirements of applicable Sections of Division-2 where cutting and patching requires excavating and backfilling.

By-pass utility services such as pipe or conduit, before cutting, where services are shown or required to be removed, relocated or abandoned. Cut-off pipe or conduit in walls or partitions to be removed. Cap, valve or plug and seal the remaining portion of pipe or conduit to prevent entrance of moisture or other foreign matter after by-passing and cutting.

Patching: Patch with durable seams that are as invisible as possible. Comply with specified tolerances.

Where feasible, inspect and test patched areas to demonstrate integrity of the installation.

Restore exposed finishes of patched areas and extend finish restoration into retained adjoining construction in a manner that will eliminate evidence of patching and refinishing.

CLEANING

Thoroughly clean areas and spaces where cutting and patching is performed or used as access. Remove completely paint, mortar, oils, putty and items of similar nature. Thoroughly clean piping, conduit and similar features before painting or other finishing is applied. Restore damaged pipe covering to its original condition.

END OF SECTION 01045

SECTION 02070 – SELECTIVE DEMOLITION

PART 1 - GENERAL:

RELATED-DOCUMENTS:

Drawings and general provisions of Contract, including General and Supplementary Conditions and Division-1 Specification sections, apply to work of this section.

DESCRIPTION-OF WORK:

Extent of selective demolition work is indicated or readily implied on drawings.

Types-of Selective Demolition Work: Demolition requires the selective removal and subsequent offsite disposal of the following:

- Existing curbs and ramps as needed to install new adjacent materials.
- Portions of the existing culverts, as needed, to align the new work and construct an appropriate collar around connections.
- Existing shop entries and foundations as needed to install control curbs around pavers.
- Foundations and bases for existing lights, meter boxes, valve boxes etc.....to install pavers.

JOB CONDITIONS:

Condition of Structures: Owner assumes no responsibility for actual condition of items or structures to be demolished.

Conditions existing at time of commencement of contract will be maintained by Owner insofar as practicable.

Partial Demolition and Removal: Items indicated to be removed but of salvable value to Contractor may be removed from structure as work progresses. Transport salvaged items from site as they are removed. Existing granite curbing and decorative lighting are to be re-used for new work at this site.

Storage or sale of removed items on site will not be permitted.

Protections: Provide temporary barricades and other forms of protection as required to protect Owner's personnel and general public from injury due to selective demolition work. Provide protected access to all shops and all passage of pedestrian traffic on at least one side of the street.

Provide protective measures as required to provide free and safe passage of Owner's personnel and general public to and from the site, including but not limited to maintenance of traffic at the street, sidewalk and intersection. Work shall include, but not limited to, daily clean-up of areas providing access to existing shops.

Provide temporary weather protection from erosions as needed during interval between demolition and removal of existing surfaces, and installation of new construction to insure that no water or erosions damage occurs to existing structures or adjacent surfaces.

Remove all protections at completion of work.

Damages: Promptly repair all damages including these to adjacent shops and businesses caused by demolition work at no cost to Owner.

Traffic: Conduct selective demolition operations and debris removal in a manner to ensure minimum interference with roads, streets, walks, and other adjacent occupied or used facilities. Insure adherence to MOT plans on Drawing Sheets C7.0 and C7.1.

Do not close, block or otherwise obstruct streets, walks entries to shops and businesses other facilities without written permission from authorities having jurisdiction. Provide alternate routes around closed or obstructed traffic ways if required by governing regulations.

Explosives: Use of explosives will not be permitted.

Utility Services: Maintain existing utilities indicated to remain, keep in service, and protect against damage during demolition operations.

Do not interrupt existing utilities serving occupied or used facilities, except when authorized in writing by authorities having jurisdiction. Provide temporary services during interruptions to existing utilities, as acceptable to governing authorities.

Environmental Controls: Use water sprinkling, temporary enclosures, and other suitable methods to limit dust and dirt rising and scattering in air to lowest practical level. Comply with governing regulations pertaining to environmental protection.

Do not use water when it may create hazardous or objectionable conditions such as ice, flooding, and pollution.

PART 2 - PRODUCTS (Not Applicable).

PART 3 - EXECUTION

INSPECTION:

Prior to commencement of selective demolition work, inspect areas in which work will be performed. Photograph existing conditions to structure surfaces, equipment or to surrounding properties which could be misconstrued as damage resulting from selective demolition work; file with Owner's Representative prior to starting work.

PREPARATION:

Provide interior and exterior shoring, bracing, or support to prevent movement, settlement or collapse of structures to be demolished and adjacent facilities to remain.

Cease operations and notify the Owner's Representative immediately if safety of structure appears to be endangered. Take precautions to support structure until determination is made for continuing operations.

DEMOLITION:

Perform selective demolition work in a systematic manner. Use such methods as required to complete work indicated on Drawings in accordance with demolition schedule and governing regulations.

Provide services for effective air and water pollution controls as required by local authorities having jurisdiction.

If unanticipated mechanical, electrical or structural elements which conflict with intended function or design are encountered, investigate and measure both nature and extent of the conflict. Submit report to Owner's Representative in written, accurate detail. Pending receipt of directive from Owner's Representative rearrange selective demolition schedule as necessary to continue overall job progress without delay.

SALVAGE MATERIALS:

Salvage Items: Where indicated on Drawings as "Salvage-Deliver to Owner", carefully remove indicated items, clean, store and turn over to Owner and obtain receipt.

Historic artifacts, including cornerstones and their contents, commemorative plaques and tablets, antiques, granite curbing, decorative lighting and other articles of historic significance remain the property of the Owner. Notify Owner's Representative if such items are encountered and obtain acceptance regarding method of removal and salvage for Owner.

DISPOSAL OF DEMOLISHED MATERIALS:

Remove debris, rubbish and other materials resulting from demolition operations from building site. Transport and legally dispose of materials off site.

If hazardous materials are encountered during demolition operations, comply with applicable regulations, laws, and ordinances concerning removal, handling and protection against exposure or environmental pollution.

Burning of removed materials is not permitted on project site.

CLEAN-UP AND REPAIR:

Upon completion of demolition work, remove tools, equipment and demolished materials from site. Remove protections and leave interior areas broom clean.

Repair demolition performed in excess of that required. Return structures and surfaces to remain to condition existing prior to commencement of selective demolition work. Repair adjacent construction or surfaces soiled or damaged by selective demolition work.

END OF SECTION 02070

SECTION 02070a - SITE DEMOLITION

PART 1 - GENERAL

1.01 RELATED DOCUMENTS

- A. Drawings and general provisions of Contract, including General and Supplementary Conditions and Division-1 Specification sections, apply to work of this section.

1.02 DESCRIPTION OF WORK

- A. Extent of site demolition work is indicated on drawings.
- B. Types of Site Demolition Work: Demolition requires the site removal and subsequent off-site disposal of the following:
  - 1. Portions of structures and pavements indicated on drawings and as required to accommodate new construction.
  - 2. Removal or abandonment of underground utilities as indicated on drawings.
  - 3. Related work specified elsewhere:
    - a. Remodeling construction work and patching is included within the respective sections of specifications, including removal of materials for re-use and incorporated into remodeling or new construction.
    - b. Relocation of pipes, conduits, ducts, other mechanical and electrical work are specified by respective trades.

1.03 SUBMITTALS

- A. Schedule: Submit schedule indicating proposed methods and sequence of operations for site demolition work to Architect for review prior to commencement of work. Include coordination for shut-off, capping, and continuation of utility services as required, together with details for dust and noise control protection.
- B. Provide detailed sequence of demolition and removal work to ensure uninterrupted progress of Owner's on-site operations.

1.04 JOB CONDITIONS

- A. Occupancy: Owner will be continuously occupying areas of the building immediately adjacent to areas of site demolition. Conduct site demolition work in manner that will minimize need for disruption of Owner's normal operations. Provide minimum of 72 hours advance notice to Owner of demolition activities which will severely impact Owner's normal operations.
- B. Condition of Structures: Owner assumes no responsibility for actual condition of items or structures to be demolished.

1. Conditions existing at time of commencement of contract will be maintained by Owner insofar as practicable. However, variations may occur by Owner's removal and salvage operations prior to start of site demolition work.
- C. Partial Demolition and Removal: Items indicated to be removed but of salvable value to Contractor may be removed as work progresses. Transport salvaged items from site as they are removed.
1. Storage or sale of removed items on site will not be permitted.
- D. Protections: Provide temporary barricades and other forms of protection as required to protect Owner's personnel and general public from injury due to site demolition work.
1. Provide protective measures as required to provide free and safe passage of Owner's personnel and general public around the site demolition work area.
  2. Provide interior and exterior shoring, bracing, or support to prevent movement, settlement, or collapse of structure or element to be demolished, and adjacent facilities or work to remain.
  3. Protect from damage existing finish work that is to remain in place and becomes exposed during demolition operations.
  4. Remove protections at completion of work.
- E. Damages: Promptly repair damages caused to adjacent facilities by demolition work at no cost to Owner.
- F. Traffic: Conduct site demolition operations and debris removal in a manner to ensure minimum interference with roads, streets, walks, and other adjacent occupied or used facilities.
1. Do not close, block or otherwise obstruct streets, walks or other occupied or used facilities without written permission from authorities having jurisdiction. Provide alternate routes around closed or obstructed traffic ways if required by governing regulations.
- G. Explosives: Use of explosives will not be permitted.
- H. Utility Services: Maintain existing utilities indicated to remain, keep in service, and protect against damage during demolition operations.
1. Do not interrupt existing utilities serving occupied or used facilities, except when authorized in writing by authorities having jurisdiction. Provide temporary services during interruptions to existing utilities, as acceptable to governing authorities.

## PART 2 - PRODUCTS

Not applicable to this section.

### PART 3 - EXECUTION

#### 3.01 INSPECTION

- A. Prior to commencement of site demolition work, inspect areas in which work will be performed. Photograph existing conditions to structure surfaces, equipment or to surrounding properties which could be misconstrued as damage resulting from site demolition work; file with Architect prior to starting work.

#### 3.02 PREPARATION

- A. Provide shoring, bracing, or support to prevent movement, settlement or collapse of structures to be demolished and adjacent facilities to remain.
- B. Cease operations and notify the Architect immediately if safety of any structure appears to be endangered. Take precautions to support structure until determination is made for continuing operations.
- C. Cover and protect site furniture and equipment to remain from soiling or damage when demolition work is performed in areas from which such items have not been removed.
- D. Locate, identify, stub off and disconnect utility services that are not indicated to remain.
- E. Provide by-pass connections as necessary to maintain continuity of service to occupied areas of building. Provide minimum of 72 hours advance notice to Owner if shut-down of service is necessary during change-over.

#### 3.03 DEMOLITION

- A. Perform site demolition work in a systematic manner. Use such methods as required to complete work indicated on Drawings in accordance with demolition schedule and governing regulations.
- B. Demolish concrete and masonry in small sections. Cut concrete and masonry at junctures with construction to remain using power-driven masonry saw or hand tools; do not use power-driven impact tools.
- C. Provide services for effective water pollution controls as required by local authorities having jurisdiction.
- D. Completely fill below-grade areas and voids resulting from demolition work. Provide fill consisting of approved earth, gravel or sand, free of trash and debris, stones over 6" diameter, roots or other organic matter.
- E. If unanticipated elements which conflict with intended function or design are encountered, investigate and measure both nature and extent of the conflict. Submit report to Architect in written, accurate detail. Pending receipt of directive from Architect rearrange site demolition schedule as necessary to continue overall job progress without delay.

#### 3.04 SALVAGE MATERIALS

- A. Salvage Items: Carefully remove any salvagable items, clean, store and turn over to Owner and obtain receipt.
  - 1. Historic artifacts, including cornerstones and their contents, commemorative plaques and tablets, antiques, and other articles of historic significance remain the property of the Owner. Notify Architect if such items are encountered and obtain acceptance regarding method of removal and salvage for Owner.

### 3.05 DISPOSAL OF DEMOLISHED MATERIALS

- A. Remove debris, rubbish and other materials resulting from demolition operations from building site. Transport and legally dispose of materials off site.
- B. If hazardous materials are encountered during demolition operations, comply with applicable regulations, laws, and ordinances concerning removal, handling and protection against exposure or environmental pollution.
- C. Burning of removed materials is not permitted on project site.

### 3.06 CLEAN-UP AND REPAIR

- A. Upon completion of demolition work, remove tools, equipment and demolished materials from site. Remove protections and leave areas broom clean.
- B. Repair demolition performed in excess of that required. Return structures and surfaces to remain to condition existing prior to commencement of site demolition work. Repair adjacent construction or surfaces soiled or damaged by site demolition work.

END OF SECTION 02070a

SECTION 02110 - SITE CLEARING

PART 1 - GENERAL

1.01 SECTION INCLUDES

- A. Protection of existing trees.
- B. Removal of trees and other vegetation.
- C. Topsoil stripping.
- D. Clearing and grubbing.
- E. Removing above-grade improvements.
- F. Removing below-grade improvements.

1.02 PROJECT CONDITIONS

- A. Traffic.
  - 1. Provide maintenance of traffic plan as indicated on drawings or as required to complete construction operations and work of this section.
- B. Protection of Existing Improvements.
  - 1. Protect improvements on adjoining properties and on Owner's property.
  - 2. Restore damaged improvements to original condition.
- C. Protection of Existing Trees and Vegetation.
  - 1. Water trees and other vegetation: Remain within limits of contract work as required to maintain their health during the course of construction operations.
  - 2. Provide protection for roots over 1-1/2 inch diameter: Coat cut faces with an emulsified asphalt, or other acceptable coating formulated for use on damaged plant tissues; temporarily cover exposed roots with wet burlap to prevent roots from drying out and cover with earth as soon as possible.
  - 3. Repair or replace trees and vegetation indicated to remain which are damaged by construction operations.
  - 4. Replace trees which cannot be repaired and restored to full growth status: Determination by arborist and/or local regulatory agency having jurisdiction.

D. Improvements on Adjoining Property.

1. Extent of work on adjacent property is indicated on drawings.

PART 2 - PRODUCTS

Not applicable to this Section.

PART 3 - EXECUTION

3.01 SITE CLEARING

- A. General: Remove trees, shrubs, grass and other vegetation, improvements, or obstructions as required to permit installation of new construction. Similar items elsewhere on site or premises are to be removed only if specifically indicated. "Removal" includes digging out and off-site disposing of stumps and roots.
1. Cut minor roots and branches of trees indicated to remain in a clean and careful manner: Alter only where such roots and branches obstruct installation of new construction.
- B. Topsoil: Topsoil is defined as friable clay loam surface soil found in a depth of not less than 4 inches. Satisfactory topsoil is reasonably free of subsoil, clay lumps, stones, and other objects over 2 inches in diameter, and without weeds, roots, and other objectionable material.
1. Strip topsoil: Whatever depths encountered should be stripped in a manner to prevent intermingling with underlying subsoil or other objectionable material; remove heavy growths of grass from areas before stripping; where existing trees are indicated to remain, leave existing topsoil in place within drip lines to prevent damage to root system.
  2. Stockpile topsoil in storage piles in areas indicated or directed: Construct storage piles to provide free drainage of surface water; cover storage piles, if required, to prevent wind erosion.
- C. Clearing and Grubbing: Clear site of trees, shrubs and other vegetation, except for those indicated to be left standing shall be performed by City of Tampa Parks and Recreation Department.
1. Fill depressions caused by clearing and grubbing operations with satisfactory soil material (unless further excavation or earthwork is indicated): place fill material in horizontal layers not exceeding 6 inches loose depth and thoroughly compact to a density equal to adjacent original ground.
- D. Removal of Improvements: Remove existing above-grade and below-grade improvements as indicated and as necessary to facilitate new construction.
1. Abandonment or removal of certain underground pipe or conduits may be indicated on mechanical or electrical drawings, and is included under work of related Division 15 and 16 sections. Removal of abandoned underground piping or conduit interfering with construction is included under this Section.

3.02 DISPOSAL OF WASTE MATERIALS

- A. Burning on Owner's Property: Burning is not permitted on Owner's property.
- B. Removal from Owner's Property: Remove waste materials and unsuitable or excess topsoil from Owner's property, unless otherwise indicated.

END OF SECTION 02110

SECTION 02200 - EARTHWORK

PART 1 - GENERAL

1.01 SECTION INCLUDES

- A. Preparing of subgrade for walks, pavements and other site work outside building lines.
- B. Excavating and backfilling for utilities outside building lines.
- C. Rough and finish grading outside of building lines.
- D. General filling and compaction for site work.
- E. Placement and preparation of topsoil for lawns and planting, is specified in Division 2 Section, "Landscape Work."

1.02 DEFINITIONS

- A. Excavation consists of removal of material encountered to subgrade elevations indicated and subsequent disposal of materials removed.
- B. Unauthorized excavation consists of removal of materials beyond indicated subgrade elevations or dimensions without specific direction of Architect. Unauthorized excavation, as well as remedial work directed by Architect, shall be at Contractor's expense.
  - 1. Under structure bases or retaining walls, fill unauthorized excavation by extending indicated bottom elevation of footing or base to excavation bottom, without altering required top elevation. Lean concrete fill may be used to bring elevations to proper position, when acceptable to Architect.
  - 2. In locations other than those above, backfill and compact unauthorized excavations as specified for authorized excavations of same classification, unless otherwise directed by Architect.
- C. Additional Excavation: When excavation has reached required subgrade elevations, notify Architect, who will make an inspection of conditions. If Architect determines that bearing materials at required subgrade elevations are unsuitable, continue excavation until suitable bearing materials are encountered and replace excavated material as directed by Architect.
  - 1. Removal of unsuitable material and its replacement as directed will be paid on basis of Conditions of the Contract relative to changes in work.
- D. Subgrade: The undisturbed earth or the compacted soil layer immediately below granular subbase, drainage fill, or topsoil materials.
- E. Structure: Slabs, tanks, curbs, manholes, inlets or other man-made stationary features occurring above or below ground surface.

1.03 QUALITY ASSURANCE

- A. Codes and Standards: Perform excavation work in compliance with applicable requirements of authorities having jurisdiction.
- B. Testing and Inspection Service: Owner will employ and pay for a qualified independent geotechnical testing and inspection laboratory to perform soil testing and inspection service during earthwork operations. Contractor to coordinate testing schedule and requirements as specified herein.

#### 1.04 PROJECT CONDITIONS

- A. Site Information: Data in subsurface investigation reports was used for the basis of the design and are available to the Contractor for information only. Conditions are not intended as representations or warranties of accuracy or continuity between soil borings. The Owner will not be responsible for interpretations or conclusions drawn from this data by Contractor.
  - 1. Additional test borings and other exploratory operations may be performed by Contractor, at the Contractor's option; however, no change in the Contract Sum will be authorized for such additional exploration.
- B. Existing Utilities: Locate existing underground utilities in areas of excavation work. If utilities are indicated to remain in place, provide adequate means of support and protection during earthwork operations.
  - 1. Should uncharted, or incorrectly charted, piping or other utilities be encountered during excavation, consult utility owner immediately for directions. Cooperate with Owner and utility companies in keeping respective services and facilities in operation. Repair damaged utilities to satisfaction of utility owner.
  - 2. Do not interrupt existing utilities serving facilities occupied by Owner or others, during occupied hours, except when permitted in writing by Architect and then only after acceptable temporary utility services have been provided.
    - a. Provide minimum of 48-hour notice to Architect, and receive written notice to proceed before interrupting any utility.
  - 3. Demolish and completely remove from site existing underground utilities indicated to be removed. Coordinate with utility companies for shutoff of services if lines are active.
- C. Use of Explosives: Use of explosives is not permitted.
- D. Protection of Persons and Property: Barricade open excavations occurring as part of this work and post with warning lights.
  - 1. Operate warning lights as recommended by authorities having jurisdiction.
  - 2. Protect structures, utilities, sidewalks, pavements, and other facilities from damage caused by settlement, lateral movement, undermining, washout, and other hazards created by earthwork operations.
  - 3. Perform excavation by hand within drip line of large trees to remain. Protect root systems from damage or dryout to the greatest extent possible. Maintain moist condition for root

system and cover exposed roots with moistened burlap.

## PART 2 - PRODUCTS

### 2.01 SOIL MATERIALS

- A. Satisfactory soil materials are defined as those complying with ASTM D2487 soil classification groups GW, GP, GM, SW, and SP, free of rubble, organics, clay, debris and other similar unsuitable material.
- B. Unsatisfactory soil materials are defined as those complying with ASTM D2487 soil classification groups GC, SM, SC, ML, MH, CL, CH, OL, OH, and PT.
- C. Backfill and Fill Materials: Satisfactory soil materials free of clay, rock or gravel larger than 2 inches in any dimension, debris, waste, frozen materials, vegetation and other deleterious matter.

## PART 3 - EXECUTION

### 3.01 EXCAVATION

- A. Excavation is unclassified and includes excavation to subgrade elevations indicated, regardless of character of materials and obstructions encountered.

### 3.02 STABILITY OF EXCAVATIONS

- A. General: Comply with local codes, ordinances, and requirements of agencies having jurisdiction.
- B. Slope sides of excavations to comply with local codes, ordinances, and requirements of agencies having jurisdiction. Shore and brace where sloping is not possible because of space restrictions or stability of material excavated. Maintain sides and slopes of excavations in safe condition until completion of backfilling.
- C. Shoring and Bracing: Provide materials for shoring and bracing, such as sheet piling, uprights, stringers, and cross braces, in good serviceable condition. Maintain shoring and bracing in excavations regardless of time period excavations will be open. Extend shoring and bracing as excavation progresses.
  - 1. Provide permanent steel sheet piling or pressure- creosoted timber sheet piling wherever subsequent removal of sheet piling might permit lateral movement of soil under adjacent structures. Cut off tops a minimum of 2'-6" below final grade and leave permanently in place.

### 3.03 DEWATERING

- A. Prevent surface water and subsurface or ground water from flowing into excavations and from flooding project site and surrounding area.
  - 1. Do not allow water to accumulate in excavations. Remove water to prevent softening of structure bottoms and soil changes detrimental to stability of subgrades and structures. Provide and maintain pumps, well points, sumps, suction and discharge lines, and other dewatering system components necessary to convey water away from excavations.
  - 2. Establish and maintain temporary drainage ditches and other diversions outside excavation limits to convey rain water and water removed from excavations to collecting or runoff areas. Do not use trench excavations as temporary drainage ditches.

### 3.04 STORAGE OF EXCAVATED MATERIALS

- A. Stockpile excavated materials acceptable for backfill and fill where directed. Place, grade, and shape stockpiles for proper drainage.
  - 1. Locate and retain soil materials away from edge of excavations. Do not store within drip line of trees indicated to remain.
  - 2. Dispose of excess excavated soil material and materials not acceptable for use as backfill or fill.

### 3.05 EXCAVATION FOR STRUCTURES

- A. Conform to elevations and dimensions shown within a tolerance of plus or minus 0.10 foot, and extending a sufficient distance from structures to permit placing and removal of concrete formwork, installation of services, and other construction and for inspection.
  - 1. Excavation for Underground Tanks, Basins, and Mechanical or Electrical Structures: Conform to elevations and dimensions indicated within a tolerance of plus or minus 0.10 foot; plus a sufficient distance to permit placing and removal of concrete formwork, installation of services, and other construction and for inspection. Do not disturb bottom of excavations, intended for bearing surface.

### 3.06 EXCAVATION FOR PAVEMENTS

- A. Cut surface under pavements to comply with cross-sections, elevations and grades as indicated.

### 3.07 TRENCH EXCAVATION FOR PIPES AND CONDUIT

- A. Excavate trenches to uniform width, sufficiently wide to provide ample working room and a minimum of 6 to 9 inches of clearance on both sides of pipe or conduit.

- B. Excavate trenches and conduit to depth indicated or required to establish indicated slope and invert elevations and to support bottom of pipe or conduit on undisturbed soil. Beyond building perimeter, excavate trenches to allow installation of top of pipe below frost line.
1. Where rock is encountered, carry excavation 6 inches below required elevation and backfill with a 6-inch layer of crushed stone or gravel prior to installation of pipe.
  2. For pipes or conduit less than 6 inches in nominal size, and for flat-bottomed, multiple-duct conduit units, do not excavate beyond indicated depths. Hand-excavate bottom cut to accurate elevations and support pipe or conduit on undisturbed soil.
  3. For pipes and equipment 6 inches or larger in nominal size, shape bottom of trench to fit bottom of pipe for 90 degrees (bottom 1/4 of the circumference). Fill depressions with tamped sand backfill. At each pipe joint, dig bell holes to relieve pipe bell of loads ensure continuous bearing of pipe barrel on bearing surface.

### 3.08 COLD WEATHER PROTECTION

- A. Protect excavation bottoms against freezing when atmospheric temperature is less than 35 degrees F.

### 3.09 BACKFILL AND FILL

- A. General: Place soil material in layers to required subgrade elevations, for each area classification listed below, using materials specified in Part 2 of this Section.
1. Under grassed areas, use satisfactory excavated or borrow material.
  2. Under walks and pavements, use satisfactory excavated or borrow material, or a combination.
  3. Under steps, use satisfactory borrow material.
  4. Under piping and conduit and equipment, use satisfactory excavated or borrow material where required for correction of unauthorized excavation. Shape excavation bottom to fit bottom 90 degrees of cylinder.
  5. Backfill trenches with concrete where trench excavations pass within 18 inches of column or wall footings and that are carried below bottom of such footings or that pass under wall footings. Place concrete to level of bottom of adjacent footing.
    - a. Concrete is specified in Division 3.
    - b. Do not backfill trenches until tests and inspections have been made and backfilling is authorized by Architect. Use care in backfilling to avoid damage or displacement of pipe systems.

6. Provide 4-inch-thick concrete base slab support for piping or conduit less than 2'-6" below surface of roadways. After installation and testing of piping or conduit, provide minimum 4-inch-thick encasement (sides and top) of concrete prior to backfilling or placement of roadway subbase.
- B. Backfill excavations as promptly as work permits, but not until completion of the following:
1. Acceptance of construction below finish grade including, where applicable, damp proofing, waterproofing, and perimeter insulation.
  2. Inspection, testing, approval, and recording locations of underground utilities have been performed and recorded.
  3. Removal of concrete formwork.
  4. Removal of shoring and bracing, and backfilling of voids with satisfactory materials. Cut off temporary sheet piling driven below bottom of structures and remove in manner to prevent settlement of the structure or utilities, or leave in place if required.
  5. Removal of trash and debris from excavation.
  6. Permanent or temporary horizontal bracing is in place on horizontally supported walls.

### 3.10 PLACEMENT AND COMPACTION

- A. Ground Surface Preparation: Remove vegetation, debris, unsatisfactory soil materials, obstructions, and deleterious materials from ground surface prior to placement of fills. Plow strip, or break up sloped surfaces steeper than 1 vertical to 4 horizontal so that fill material will bond with existing surface.
1. When existing ground surface has a density less than that specified under "Compaction" for particular area classification, break up ground surface, pulverize, moisture-condition to optimum moisture content, and compact to required depth and percentage of maximum density.
- B. Place backfill and fill materials in layers not more than 8 inches in loose depth for material compacted by heavy compaction equipment, and not more than 4 inches in loose depth for material compacted by hand-operated tampers.
- C. Before compaction, moisten or aerate each layer as necessary to provide optimum moisture content. Compact each layer to required percentage of maximum dry density or relative dry density for each area classification. Do not place backfill or fill material on surfaces that are muddy, frozen, or contain frost or ice.
- D. Place backfill and fill materials evenly adjacent to structures, piping, or conduit to required elevations. Prevent wedging action of backfill against structures or displacement of piping or conduit by carrying material uniformly around structure, piping, or conduit to approximately same elevation in each lift.
- E. Control soil and fill compaction, providing minimum percentage of density specified for each area classification indicated below. Correct improperly compacted areas or lifts as directed by Architect if

soil density tests indicate inadequate compaction. Contractor to coordinate and adjust site preparation and compaction requirements as per the Geotechnical Report.

1. Percentage of Maximum Density Requirements: Compact soil to not less than the following percentages of maximum density, in accordance with ASTM D 1557:
  - a. Under structures and pavements, compact top 12 inches of subgrade and each layer of backfill or fill material at 98 percent maximum density.
  - b. Under lawn or unpaved areas, compact top 6 inches of subgrade and each layer of backfill or fill material at 90 percent maximum density.
  - c. Under walkways, compact top 6 inches of subgrade and each layer of backfill or fill material at 95 percent maximum density.
2. Moisture Control: Where subgrade or layer of soil material must be moisture conditioned before compaction, uniformly apply water to surface of subgrade or layer of soil material. Apply water in minimum quantity as necessary to prevent free water from appearing on surface during or subsequent to compaction operations.
3. Remove and replace, or scarify and air dry, soil material that is too wet to permit compaction to specified density.
4. Stockpile or spread soil material that has been removed because it is too wet to permit compaction. Assist drying by discing, harrowing, or pulverizing until moisture content is reduced to a satisfactory value.

### 3.11 GRADING

- A. General: Uniformly grade areas within limits of grading under this section, including adjacent transition areas. Smooth finished surface within specified tolerances, compact with uniform levels or slopes between points where elevations are indicated or between such points and existing grades.
- B. Grading Outside Building Lines: Grade areas adjacent to building lines to drain away from structures and to prevent ponding. Finish surfaces free from irregular surface changes and as follows:
  1. Lawn or Unpaved Areas: Finish areas to receive topsoil to within not more than 0.10 foot above or below required subgrade elevations.
  2. Walks: Shape surface of areas under walks to line, grade, and cross-section, with finish surface not more than 0.10 foot above or below required subgrade elevation.
  3. Pavements: Shape surface of areas under pavement to line, grade, and cross-section, with finish surface not more than ½ inch above or below required subgrade elevation.

- C. Compaction: After grading, compact subgrade surfaces to the depth and indicated percentage of maximum or relative density for each area classification.

### 3.12 FIELD QUALITY CONTROL

- A. Quality Control Testing During Construction: Allow testing service to inspect and approve each subgrade and fill layer before further backfill or construction work is performed.
  1. One field density test, in accordance with ASTM D 1556, will be performed per 5,000 square feet for asphalt or concrete parking/loading areas and drives.
  2. One field density test, in accordance with ASTM D 1556, will be performed around each manhole or inlet.
  3. One field density test, in accordance with ASTM D 1556, will be performed per 100 feet of trenched utilities for each lift. There shall be a minimum of one test between structures.
  4. Fill Material: Make at least one field density test for each 2,000 square feet of fill material, but in no case less than four tests. Tests shall be performed for each lift of fill.
  5. If in opinion of Engineer, based on testing service reports and inspection, subgrade of fills which have been placed are below specified density, provide additional compaction and testing at no additional charge to the Owner.

### 3.13 EROSION CONTROL

- A. Provide erosion control methods in accordance with requirements of authorities having jurisdiction.

### 3.14 MAINTENANCE

- A. Protection of Graded Areas: Protect newly graded areas from traffic and erosion. Keep free of trash and debris.
- B. Repair and reestablish grades in settled, eroded, and rutted areas to specified tolerances.
- C. Reconditioning Compacted Areas: Where completed compacted areas are disturbed by subsequent construction operations or adverse weather, scarify surface, reshape, and compact to required density prior to further construction.
- D. Settling: Where settling is measurable or observable at excavated areas during general project warranty period, remove surface (pavement, lawn, or other finish), add backfill material, compact, and replace surface treatment. Restore appearance, quality, and condition of surface or finish to match adjacent work, and eliminate evidence of restoration to greatest extent possible.

3.15 DISPOSAL OF EXCESS AND WASTE MATERIALS

- A. Removal from Owner's Property: Remove waste materials, including unacceptable excavated material, trash, and debris, and dispose of it off Owner's property.

END OF SECTION 02200

## SECTION 02900 - TREES, PLANTS AND GROUNDCOVERS

### PART 1 - GENERAL

#### 1.1 DESCRIPTION OF WORK:

Furnish all materials, equipment and labor as necessary for preparation of planting areas, soil treatment, planting of trees, shrubs, groundcovers and grass, relocation of designated plants, protection of plants, maintenance, guarantee and replacement of plants, and related items as required to complete the work as indicated on the drawings and specified herein.

Related Work:

1. Section 02441: Irrigation System.
2. Section 02930: Sodding

#### 1.2 DEFINITIONS:

- A. The following words and terms or pronouns used instead shall wherever they appear in these specifications, be construed as follows, unless a different meaning is clear from the context:

"Final Acceptance" shall mean that point in time when all requirements of project drawings and specifications are completed, including any punchlist items, to the satisfaction of the City of Tampa representative. The contractor shall be notified in writing of final acceptance by a City of Tampa representative.

"Warranty Period" shall be a six month period beginning at Final Acceptance.

"Maintenance Period" shall begin when plant material is installed and continue for ninety (90) days after notification of Final Acceptance.

"Final Maintenance Inspection" shall occur at the end of the ninety (90) day maintenance period.

#### 1.3 QUALITY ASSURANCE:

- A. The landscape installation shall be by a single firm specializing in landscape work.
- B. Plant names indicated shall comply with "Standardized Plant Names" as adopted by the latest edition of the American Joint Committee of Horticultural Nomenclature. Names of varieties not listed shall conform generally with names accepted by the nursery trade. Provide stock true to botanical name and legibly tagged.
- C. Comply with sizing and grading standards of the latest edition of "American Standard for Nursery Stock" (ANSI Z60 1) and, sizing and grading standards of the latest edition of "Grades and Standards for Nursery Plants: Part I and II" by the Florida Department of Agriculture and Consumer Services. All plant material shall be "Florida No. 1" or better.
1. Caliber measurement shall be taken six (6) inches above ground level if four (4) inches or less. If greater than 4 (four) inches, caliber measurement will be taken at twelve (12) inches above ground level.
- D. Do not make substitutions. If specified landscape material is not obtainable submit to City of Tampa representative in writing, proof of non-availability and proposal for use of equivalent material. When authorized, adjustment of contract amount will be made.
- E. All plants shall be nursery grown and 100% acclimatized to local planting conditions.

- F. Stock furnished shall be at least the minimum size indicated. Larger stock is acceptable, at no additional cost, providing that the larger plants will not be cut back to size indicated or rootbound in pots. Provide plants indicated by two measurements so that only a maximum of 25% are of the minimum size indicated and 75% are of the maximum size indicated. Height and spread specified will prevail over container size specified, for groundcover and shrub material only.
- G. All trees will be inspected and approved by the City of Tampa representative at the place of growth, for compliance with specification requirements for quality, size, and variety. When trees cannot be obtained locally, provide sufficient photographs of the proposed plants for approval.
1. Such approval shall not impair the right of inspection and rejection upon delivery at the site or during the progress of the work.
  2. Tag trees at the source of supply prior to inspection by City of Tampa representative.

#### 1.4 SUBMITTALS:

- A. Submit planting schedule showing scheduled dates for each type of planting in each area of site two weeks prior to beginning work.
- B. Submit certificates of inspection, as required by governmental authorities, and manufacturers or vendors certified analysis for soil amendments, herbicides, insecticides and fertilizer materials, submit other data substantiating that materials comply with specified requirements.
- C. Submit the following material samples:
1. Mulch
  2. Topsoil with verification of sterilization and source.
  3. One typical sample of each shrub and groundcover material as specified, prior to planting for approval.
    - a. Such approval shall not impair the right of inspection and rejection upon delivery at the site or during the progress of the work.
- D. Upon final acceptance of plant material, submit two (2) written maintenance instructions recommending procedures for maintenance of plant materials for a one year period.
- E. Provide landscape planting as-built drawings:
1. Legibly mark drawings to record actual installation.
  2. Identify field changes of dimension and detail and changes made by approving authority.

#### 1.5 DELIVERY, STORAGE AND HANDLING:

- A. Deliver fertilizer materials in original, unopened, and undamaged containers showing weight, analysis, and name of manufacturer. Store in manner to prevent wetting and deterioration.
- B. B&B Trees must be held and fully acclimatized over a period not less than eight (8) weeks prior to delivery to site.
- C. Take all precautions customary in good trade practice in preparing plants for moving. Workmanship that fails to meet the highest standards will be rejected. Spray deciduous plants in foliage with an approved "Anti-Desiccant" immediately prior to digging to prevent dehydration. Dig, pack, transport, and handle plants with care to ensure protection against injury. Inspection certificates required by law shall accompany each shipment invoice or order. Upon arrival the certificate shall be filed with the appropriate City of Tampa department.

Protect all plants from drying out. If plants cannot be planted immediately upon delivery, properly protect them with soil, wet peat moss, or in a manner acceptable to the City of Tampa representative. Water heeled-in plantings daily. No plant shall be bound with rope or wire in a manner that could damage or break the branches.

- D. Plant material that is stored improperly shall receive a special review of acceptance/rejection, established on a case by case basis.
- E. Cover plants transported on open vehicles with a protective covering to prevent wind burn.
- F. Topsoil shall be kept dry and loose for planting bed mixes.
- G. Label at least one (1) tree and one (1) shrub of each variety with a securely attached waterproof tag bearing legible designation of botanical and common name.

#### 1.6 JOB CONDITIONS:

- A. Work notification: Notify City of Tampa representative at least seven (7) working days prior to installation of plant material. All plant samples to be reviewed for approval prior to notification.
- B. Protect existing utilities, paving, and other facilities from damage caused by landscaping operations. Notify any affected utilities 48 hours prior to beginning work, if applicable.
- C. A complete list of plants, including a schedule of sizes, quantities, and other requirements are shown on the drawings. In the event that quantity discrepancies or material omission occur in the plant materials list, the planting plans shall govern.
- D. Examine the subgrade, verify the elevations, observe the conditions under which work is to be performed, and examine unsatisfactory conditions before proceeding with the work.
  - 1. When conditions detrimental to plant growth are encountered such as rubble fill, adverse drainage conditions or obstructions, notify City of Tampa representative before planting to determine alternative action.
  - 2. Contractor shall be responsible for the removal of existing vegetation deemed necessary by City of Tampa representative to carry out scope of project.
- E. The irrigation system shall be installed prior to planting, if applicable. Locate, protect and maintain the irrigation system during planting operations. Repair irrigation system components, new and existing, damaged during planting operations with like materials. Test system prior to installation of plant material.
- F. Any work taking place along a city, county or state road or median must comply with appropriate regulating authorities guidelines for "Traffic Controls for Construction and Maintenance Operations". Contractor shall be responsible to file and obtain any and all required agency permits.

## **PART 2 - PRODUCTS**

### 2.1 MATERIALS:

- A. Plants: Provide plants typical of their species or variety; with normal, densely developed branches and vigorous, fibrous root systems. Provide only sound, healthy vigorous plants free from defects, disfiguring knots, sunscald injuries, frost cracks, abrasion of the bark, plant diseases, insect eggs, borers, and all forms of infestation. All plants shall have a fully developed form without voids and open spaces.

1. All plant material shall be "Florida No.1", or better.
2. Dig balled and burlapped plants with firm, natural balls of earth of diameter and depth to encompass the fibrous and feeding root system necessary for full recovery of the plant. Provide ball sizes complying with the latest edition of the "American Standard for Nursery Stock". Cracked or mushroomed balls are not acceptable.
3. Container-grown stock: Grown in container for sufficient length of time for the root system to have developed to hold its soil together, firm and whole.
  - a. No plants shall be loose in the container.
  - b. Container stock shall not be pot bound.
4. Trees with included bark will not be accepted. Trees shall have a minimum of five (5) feet of trunk free from branching, unless otherwise specified.
5. Sanding of palm tree trunks will not be accepted. Palm tree fronds shall be tied up to protect bud from stress and damage. Fronds shall be tied with a material that will decompose naturally.  
DO NOT HURRICANE CUT PALMS. TRIM FRONDS ONLY.
6. Plants planted in rows shall be matched in form.
7. Plants larger than those specified in the plant list may be used when acceptable to the City of Tampa representative.
  - a. If the use of larger plants is acceptable, increase the spread of roots or root ball in proportion to the size of the plant.
8. The height of the trees, measured from the crown of the roots to the average height of the top of the tree, shall not be less than the minimum size designated in the plant list. Container size designated, if any, shall be minimum size required.
9. No pruning wounds shall be present with a diameter of more than 1" and such wounds must show vigorous bark on all edges.
10. Height and spread requirements, of shrub and groundcover material, indicated in the plant list shall prevail over container size indicated, unless otherwise specified.
11. Shrubs and small plants shall conform to the following standards:
  - a. The measurements for height shall be taken from the ground level to the average height of the top of the plant and not the longest branch.
  - b. Single stemmed or thin plants will not be accepted.
  - c. Side branches shall be generous, well-twigged, and the plant as a whole well-bushed to the ground, unless otherwise specified.
  - d. Plants shall be in a vigorous condition, free from dead wood, bruises, or other root or branch injuries.
12. Any plant material showing signs of shock will be judged on a case by case basis for acceptance or rejection.

## 2.2 ACCESSORIES:

- A. Refer to drawings and other portions of specifications for accessories specifically used on this project.
- B. Topsoil for Planting Beds: Fertile, friable, natural topsoil of loamy character, without admixture of subsoil material, obtained from

a well-drained arable site, reasonably free from clay, lumps, coarse sands, stones, plants, roots, sticks, and other foreign materials, with acidity range between pH 5.5 and 6.5. Mixture 50% coarse native sand and 50% peat as specified.

1. Expressly identify source location of topsoil and/or peat proposed for use on the project.
  2. Provide topsoil free of substances harmful to the plant material. Topsoil shall be sterilized.
- C. Peat: Brown to black in color, sterile, weed and seed free granulated raw peat, containing not more than 9% mineral on a dry basis.
- D. Fertilizer shall be complete with the following analysis and source compounds:
- 10% nitrogen derived from ammonium nitrate.
  - 2% phosphorous derived from super phosphate.
  - 10% potassium derived from potassium sulfate.
  - 4% magnesium derived from magnesium sulfate.
- The fertilizer shall be neutral and contain the essential micro-nutrients (Chelated Fe, Mn, Zn, Mo, Bo, Cu) in sulfates unless otherwise indicated in ppm. Fertilizer shall be slow release.
- E. Anti-Desiccant: Protective film emulsion providing a protective film over plant surfaces; permeable to permit transpiration. Mixed and applied in accordance with manufacturer's instructions.
- F. Mulch shall be derived from an invader tree species (unless specified otherwise on drawings) clean, bright and free from weeds, moss, sticks and other debris. Mulch shall be spread at minimum of two (2) inches deep and maximum of four (4) inches deep or as otherwise noted.
- G. Water: Free of substances harmful to plant growth. Water shall contain less than 300 ppm soluble salts and less than 10 ppm chlorine, fluoride and sodium. Hoses or other methods of transportation furnished by Contractor. Contractor shall furnish water supply from an acceptable source. Acceptable sources: deep wells, municipal potable supply and treated wastewater.
- H. Guys: All trees between 2" and 4" caliber shall be guyed using a 3/4" rubber elastic guy system such as Tree Saver. Attach fluorescent flagging to guys, minimum 18" length.
- I. Pre-emergent weed killer: Apply 2: granular "Chipco" Ronstar or approved equal, at a rate recommended by manufacturer.

### **PART 3 - EXECUTION**

#### **3.1 INSPECTION:**

Contractor shall examine proposed planting areas and conditions for installation. Do not start planting work until unsatisfactory conditions are corrected.

#### **3.2 PREPARATION:**

- A. Time of planting.
1. Deciduous material: If deciduous trees are planted in-leaf, they shall be sprayed with an anti-desiccant prior to planting operation.
- B. Planting shall be performed only by experienced workmen familiar with planting procedures under the supervision of a qualified

supervisor.

- C. Layout of individual tree locations shall be performed by the City of Tampa representative prior to starting work at each site. Give 48 hour notice of need for inspection. If obstructions are encountered that are not shown on the drawings, do not proceed with planting operations until alternate plant locations have been selected. Verify locations of existing utilities.
- D. Excavate circular plant pits with vertical sides, except for plants specifically indicated to be planted in beds. Provide shrub pits at least 12" greater than the diameter of the root system and 3 times greater than diameter of rootball for trees. Depth of pit shall accommodate the root system. Remove excavated materials from the site, as indicated under Site Clearing Section 21.10.
- E. Provide pre-mixed planting mixture for use around the balls and roots of the plants consisting of topsoil and 1/2 lb. plant fertilizer as specified, for each cu. yd. of mixture.
- F. Provide pre-mixed ground cover bed planting mixture consisting of topsoil and 1/2 lb. Plant fertilizer as specified, per cu. yd. Prepare planting bed as specified on drawings.
- G. Palm trees with clear trunk greater than six (6) feet in height shall be backfilled with soil indigenous to site.

### 3.3 INSTALLATION:

- A. Set plant material in the planting pit to proper grade and alignment. Set plants upright, plumb, and faced to give the best appearance or relationship to each other or adjacent structure. Set plant material 2"-3" above the finish grade. No filling will be permitted around trunks of stems. Backfill the pit with planting mixture until approximately 2/3 full, then water thoroughly before placing remainder of backfill. Repeat watering until no more is absorbed. Do not use muddy mixtures for backfilling. Form a ring of soil around the edge of each planting pit to retain water.

After balled and burlapped plants are set, place soil mixture around bases of balls and fill all voids.

- 1. Remove all burlap, ropes, and wires from the tops of balls.
- B. Space ground cover plants in accordance with indicated dimensions. Adjust spacing as necessary to evenly fill planting bed with indicated quantity of plants. Plant to within 4' of the trunks of trees and shrubs within planting bed and to within 1' of edge of bed.
- C. Apply anti-desiccant using power spray to provide adequate film over trunks, branches, stems, twigs and foliage.
- D. Mulch:
  - 1. Apply pre-emergent weed killer over grade prior to mulching, as specified by City of Tampa representative. Use rates recommended for specified product.
  - 2. Mulch tree, shrub planting pits and shrub beds with required mulching material 3" deep or as otherwise noted immediately after planting. Thoroughly water mulched areas. After watering, rake mulch to provide a uniform finished surface.
- E. Staking/Guying:
  - 1. Guy all trees over 2" in caliber immediately after lawn seeding or sodding operations and prior to acceptance. When high winds or other conditions which may effect tree survival or appearance occur, the City of Tampa representative may require immediate staking/guying.
  - 2. Brace all palm trees. Wrap with 5 layers burlap approximately 1/3 of the way up trunk. Attach lumber with cleats and hammer braces to lumber. Secure to ground with stake.

3. All work shall be acceptable to the City of Tampa representative.

F. Pruning:

1. Prune branches of B&B stock, prior to transplanting, to balance the loss of roots and preserve the natural character appropriate to the particular plant requirements. In general, remove 1/4 to 1/3 of the leaf bearing buds, proportion shall in all cases be acceptable to the City of Tampa representative. Remove or cut back broken, damaged, and unsymmetrical growth of new wood. Prune trees to retain required height and spread. Do not cut structural branches. Required sizes are the size after pruning.
2. Multiple leader plants: Preserve the leader which will best promote the symmetry of the plant. Cut branches at branch collars.

G. Care of Existing Trees:

1. All existing trees, if any, shall be protected through the duration of this project as outlined in the Tree Protection Standards of the City of Tampa Site Clearing Ordinance. These requirements and those attached at the end of this section are available in the City Hall Annex Building, Duplication office for a fee.

H. Tree Relocation:

1. Tree relocation shall be performed under the supervision of the City Arborist, 931-2121.

3.4 MAINTENANCE:

- A. Begin maintenance immediately after planting. Maintain all plant material until final acceptance and for an establishment period of ninety (90) days after final acceptance.

- B. Maintenance shall include but is not limited to pruning, cultivating, mowing, weeding, fertilizing, watering, and application of appropriate insecticides and fungicides necessary to maintain plants free of insects and disease.

1. Re-set settled plants to proper grade and position. Restore planting saucer and adjacent material and remove dead material.
2. Tighten and repair guys and stakes as required.
3. Correct defective work immediately after deficiencies become apparent and weather permits.
4. **In addition to irrigation system** or if no system exists, water trees every other day saturating the soil to depth of three (3) feet for the first two (2) weeks. If no irrigation system exists, water plant material per the following schedule:

1-30 days - water every other day, saturating the soil to a depth of 3 feet.

30-90 days - water twice a week, saturating the soil to a depth of three (3) feet.

90-365 days - water once a week, saturating the soil to a depth of three (3) feet.

Quantity of water applied should be adjusted in accordance to rainfall.

3.5 ACCEPTANCE:

- A. Inspection to determine acceptance of planted areas will be made by the City of Tampa representative upon Contractor's request. Provide notification at least 5 working days before requested inspection date.
  - 1. Planted areas will be accepted provided all requirements, including maintenance, have been complied with and plant materials are alive and in a healthy, vigorous condition.
- B. The City of Tampa representative will prepare a "punch list" of those items which must be corrected before reinspection for final acceptance. The City of Tampa representative will determine an appropriate time period in which punchlist items must be corrected. Provide 48 hour notification of need for reinspection.
- C. The owner will assume plant maintenance 30 days after final acceptance, at which time, the contractor shall request a final maintenance inspection for acceptance, where requirements as stated in 3.5 apply.

### 3.6 WARRANTY:

- A. Warrant plant material to remain alive and be in healthy, vigorous condition for a period of 1 year after completion and final acceptance of entire project.
- B. Replace, in accordance with the drawings and specifications, all plants that are dead or as determined by the City of Tampa representative to be in an unhealthy or unsightly condition, and have lost their natural shape due to contractor's negligence. The cost of such replacement(s) is at Contractor's expense. Warrant all replacement plants for six months after final acceptance.
- C. Warranty shall not include damage or loss of trees, plants, or ground covers caused by fires, floods, freezing, rains, lightning storms or winds over 75 miles per hour, winter kill caused by extreme cold and severe winter conditions not typical of planting area; acts of vandalism or negligence on the part of the owner.
- D. Remove and replace immediately all plants found to be dead or in unhealthy condition as determined by City of Tampa representative at any time during warranty period. Make replacements within four (4) weeks of notification.
  - 1. An inspection will be conducted at the end of the warranty period. Contractor will replace any plants found to be dead or in poor condition at this time within four (4) weeks of inspection. Contractor will also remove any tree bracing or guying determined by the city representative to be unnecessary at this point in the trees development.

### 3.7 CLEANING:

- A. Perform cleaning during installation of the work and upon completion of the work. Remove from site all excess materials, soil, debris, and equipment. Do not leave on site over night, unless arrangements have been made to do so with the City of Tampa representative. Coordinate with City Representative on site storage of debris and/or trash. Repair damage resulting from planting operations.

END OF SECTION 02900-12