


THE ENCLOSED DOCUMENT IS
PROVIDED FOR YOUR CONVENIENCE.

 **REGISTER AS A “PLANHOLDER”**
TO BE LISTED ON THE WEBPAGE,
TO BE FOUND BY POTENTIAL
SUB-CONTRACTORS,
AND TO BE OFFICIALLY NOTIFIED OF
ADDENDA.

FOR ASSISTANCE OR
TO REGISTER CONTACT:

MAILTO:BERNICE.WHEELER@TAMPA.GOV.NET
BERNICE WHEELER, (813)274-8456, FAX 274-8080
CONTRACT ADMINISTRATION DEPARTMENT
306 E. JACKSON ST. #280A4N
TAMPA, FL 33602

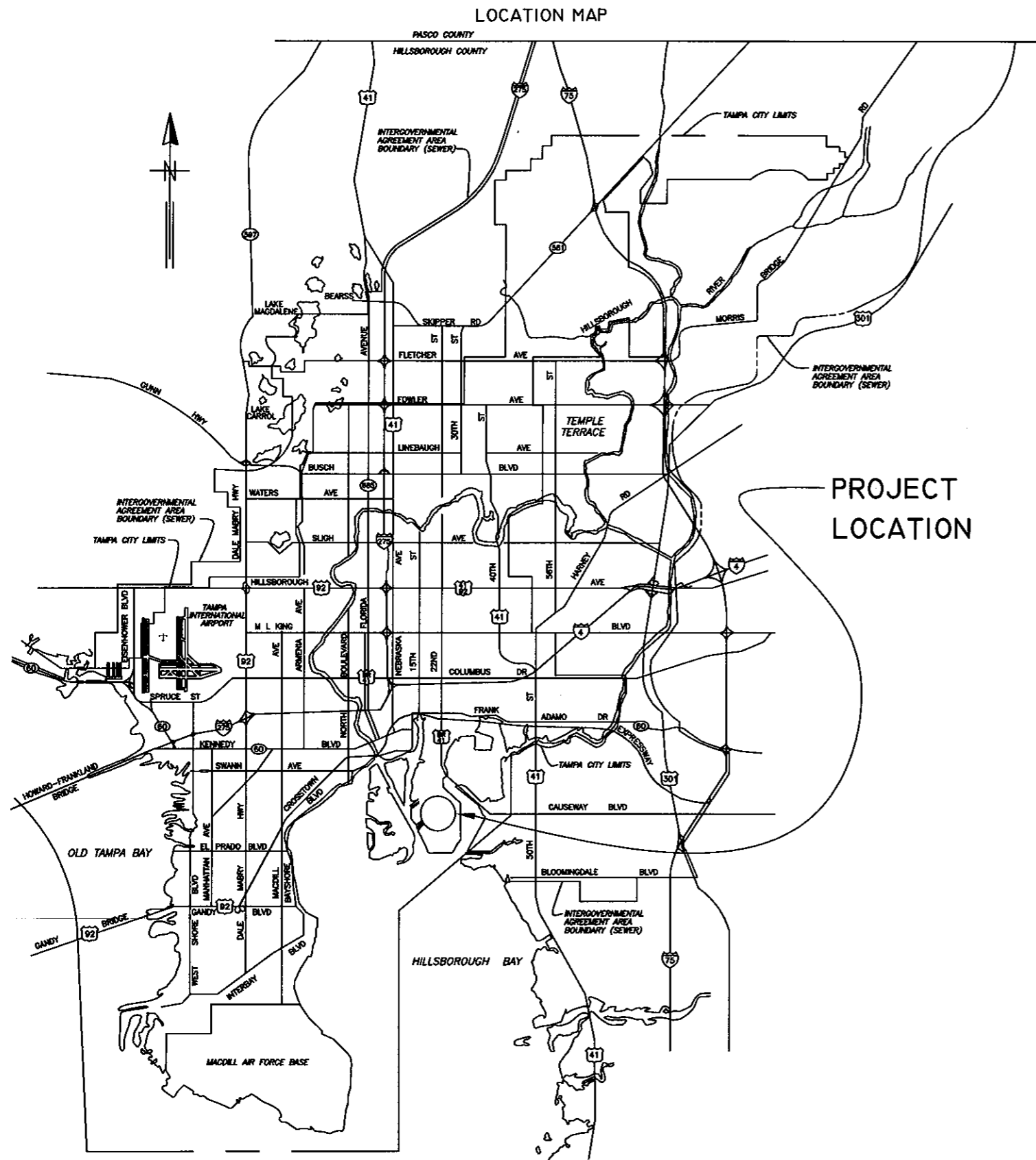
CITY of TAMPA



WASTEWATER DEPARTMENT

PLANS FOR
HFC AWTP PAINTING CONTRACT,
FY-08

CONTRACT NO. 8-C-00054



PROJECT
LOCATION

User: ss8k Drawing Name: K:\micat\autocad\DESIGN WORK\BOB MASON\AWTP Painting Sludge Storage And Drying Bed Piping\DWG\AWTP PAINTING.dwg Layout - COVER SHEET, Jun 26, 2008 - 12:32pm

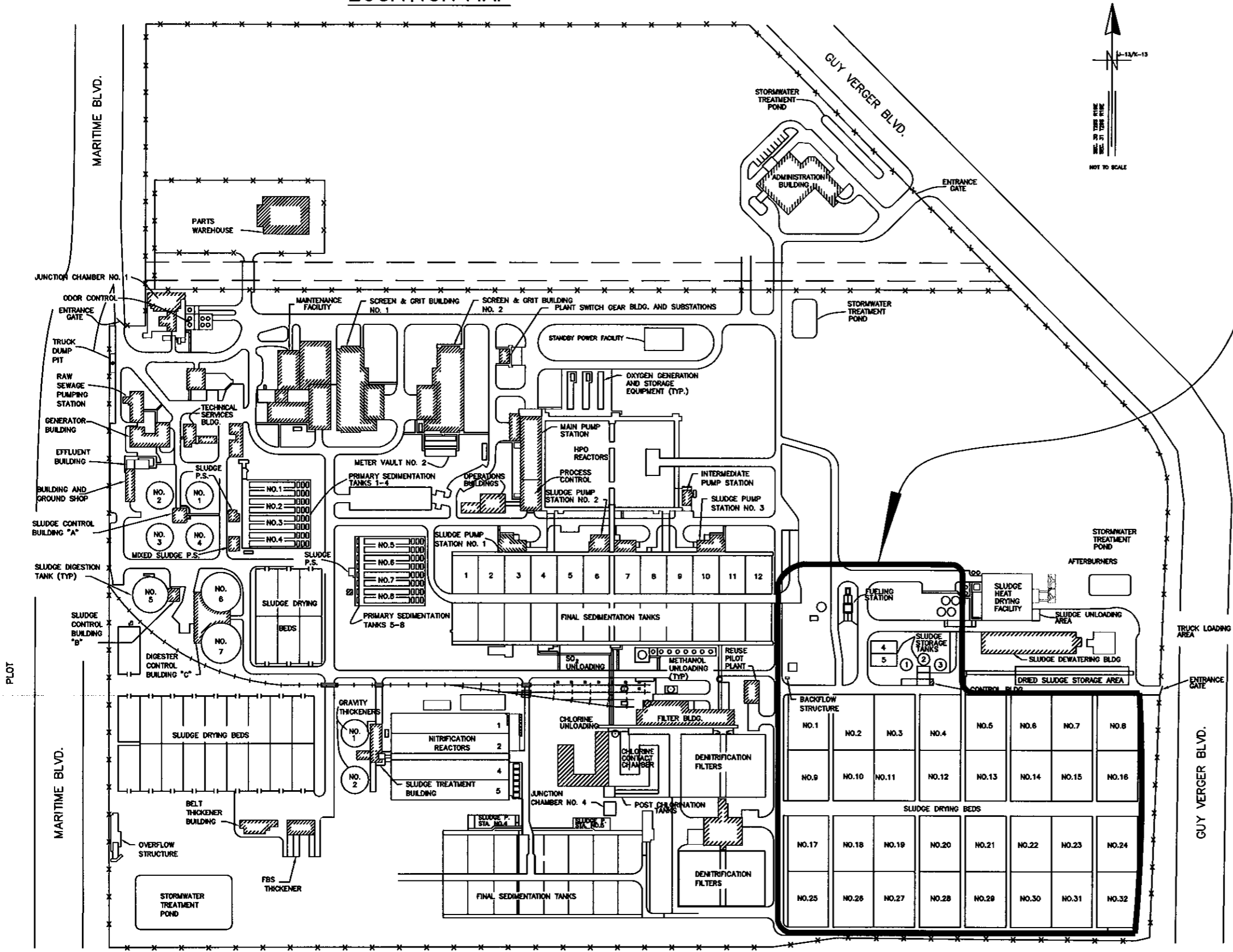
No.	DATE	REVISIONS
3		
2		
1		

DES: SK
DRN: MRL
CKD: JF
DATE: 6/27/08

CITY of TAMPA
WASTEWATER DEPARTMENT

COVER SHEET

LOCATION MAP



CITY OF TAMPA
HOWARD F. CURREN
ADVANCED WASTEWATER
TREATMENT PLANT

2700 MARITIME BLVD.
TAMPA, FL 33605
(813) 247-3451
FAX: (813) 248-5269

PROJECT
LOCATION
See Exhibits 1, 1A,
for project overview

INDEX

SHEET 1	COVER SHEET
SHEET 2	LOCATION MAP AND INDEX
SHEET 3	SITE PLAN & GENERAL NOTES
SHEET 4	FILTRATE PUMPING STATION
SHEET 5	VENT/ACCESS BACKWATER AND SED. TANK EFFLUENT
SHEET 6	SLUDGE DRYING BEDS AREA
SHEET 7	SLUDGE DRYING BEDS AREA
SHEET 8	SLUDGE DRYING BEDS AREA
SHEET 9	SLUDGE DRYING BEDS AREA
SHEET 10	SLUDGE DRYING BEDS AREA
SHEET 11	SLUDGE STORAGE TANKS 4 & 5 EAST PIPING
SHEET 12	SLUDGE STORAGE TANKS 4 & 5 OVERFLOW PIPING
SHEET 13	SLUDGE STORAGE TANKS EXTERIOR PIPING.
SHEET 14	SLUDGE STORAGE TANKS
SHEET 15	PLANT AIR/RECLAIMED WATER LINE DIAGRAM
SHEET 16	STORAGE OVERFLOW PIPING
SHEET 17	SLUDGE STORAGE TANKS 4 & 5 - EAST PIPING VALVE ACTUATOR LOCATIONS
SHEET 18	SLUDGE STORAGE TANKS 4 & 5 - WEST PIPING VALVE ACTUATOR LOCATIONS
SHEET 19	ACTUATOR DETAILS

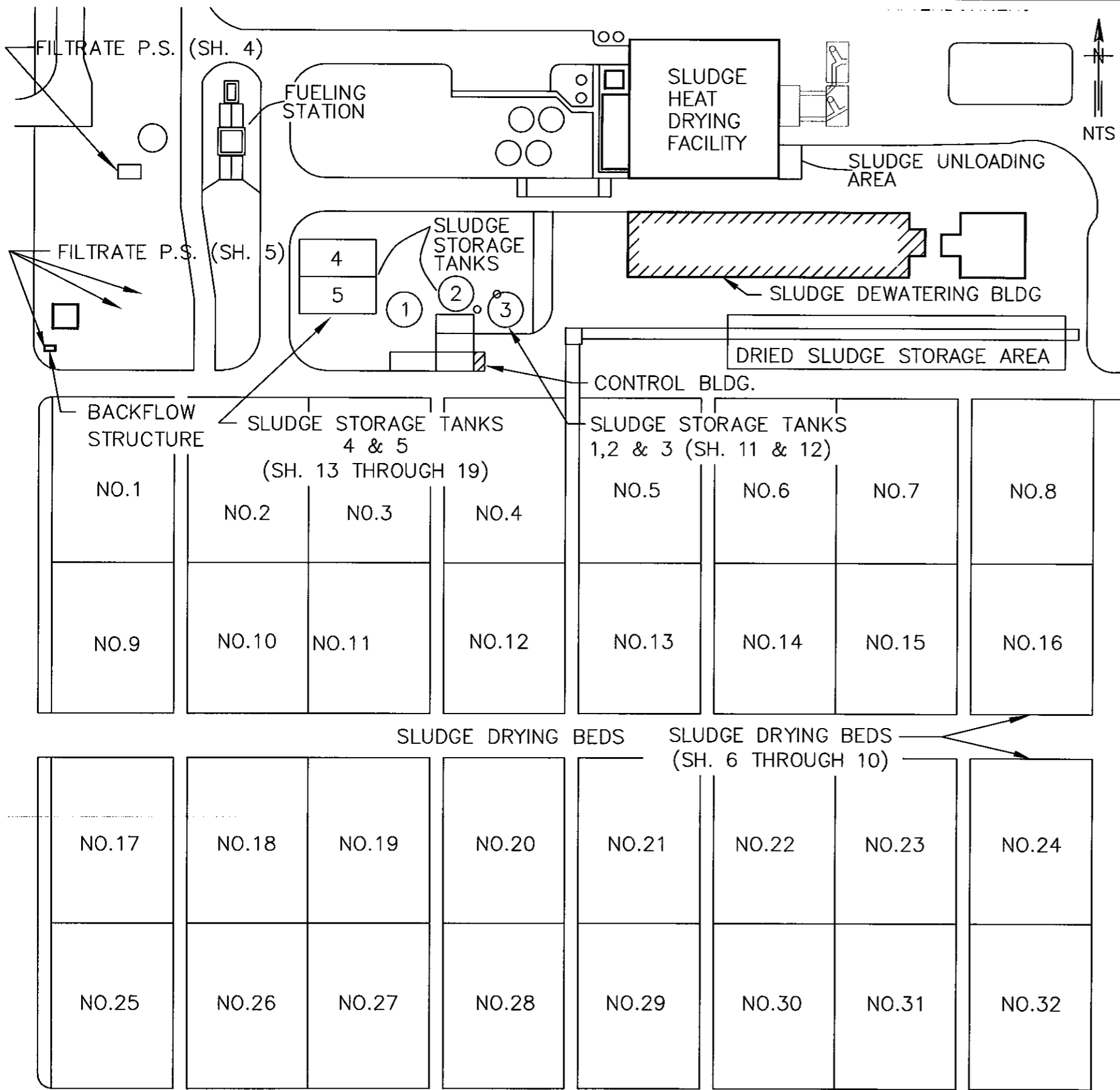
User: ss8k Drawing Name: K:\micah\autocad\DESIGN WORK\BOB MASON\AWTP Painting Sludge Storage And Drying Bed Piping\DWG\AWTP PAINTING.dwg Layout - LOCATION SHEET, Jun 26, 2008 - 12:32pm

No.	DATE	REVISIONS
3		
2		
1		

DES: SK
DRN: MRL
CKD: JF
DATE: 6/27/08

CITY of TAMPA
WASTEWATER DEPARTMENT

EXTERIOR PROTECTIVE COATING APPLICATION
LOCATION MAP AND INDEX



GENERAL

1. THE CONTRACTOR SHALL NOT INTERFERE WITH TREATMENT PLANT OPERATIONS AT ANY TIME DURING THE EXECUTION OF THE WORK.
2. SPRAY PAINTING IS NOT ALLOWED.
3. IT WILL BE THE RESPONSIBILITY OF THE CONTRACTOR TO PROVIDE FOR ANY NECESSARY INSPECTIONS FROM THE PAINT MANUFACTURER'S REPRESENTATIVE.
4. THE PAINT MANUFACTURER'S REPRESENTATIVE SHALL CONFIRM ABRASIVE BLAST CLEANLINESS STANDARDS HAVE BEEN MET PRIOR TO APPLYING COATINGS.
5. ALL DRY FINAL THICKNESS MEASUREMENTS OF APPLIED PRIMER COAT, INTERMEDIATE COAT, AND FINAL COAT SHALL CONFORM TO MINIMUM/MAXIMUM SPECIFICATION REQUIREMENTS.
6. ONLY 4 OF THE 32 SLUDGE DRYING BEDS MAY BE OUT OF SERVICE AT ANY TIME FOR PAINTING. CONTRACTOR IS TO PROVIDE A SCHEDULE TO BE APPROVED BY PLANT PERSONNEL PRIOR TO COMMENCING WORK.
7. ALL EXHIBITS AS CITED ON THE CONTRACT DRAWINGS CAN BE FOUND AT [HTTP://WWW.TAMPAGOV.NET/DEPT CONTRACT ADMINISTRATION/PROGRAMS AND SERVICES/CONSTRUCTION PROJECT BIDDING/INDEX.ASP](http://www.tampagov.net/dept_contract_administration/programs_and_services/construction_project_bidding/index.asp)
8. THE PAINTING OF THE PIPING SYSTEMS INCLUDES, BUT IS NOT LIMITED TO, RESTRAINING GLANDS, FLANGES, SUPPORTS, BOLTS, BRACKETS, AND HANGERS.
9. PIPING SYSTEMS ARE TO BE PAINTED IN ACCORDANCE WITH THE PAINT MANUFACTURER'S SPECIFICATIONS BASED ON PIPE MATERIAL.
10. OSHA STANDARD SAFETY EQUIPMENT SUCH AS SAFETY HARNESSSES, BREATHING APPARATUS, ETC. SHALL BE UTILIZED WHERE THE WORK DICTATES THEIR USE
11. ALL HATCHED AREAS AND BOLDED LINES ARE TO BE PAINTED.

User: ss8k Drawing Name: K:\micah\autocad\DESIGN WORK\BOB MASON\AWTP Painting Sludge Storage And Drying Bed Piping\DWG\AWTP PAINTING.dwg Layout - SITE PLAN, Jun 26, 2008 - 12:32pm

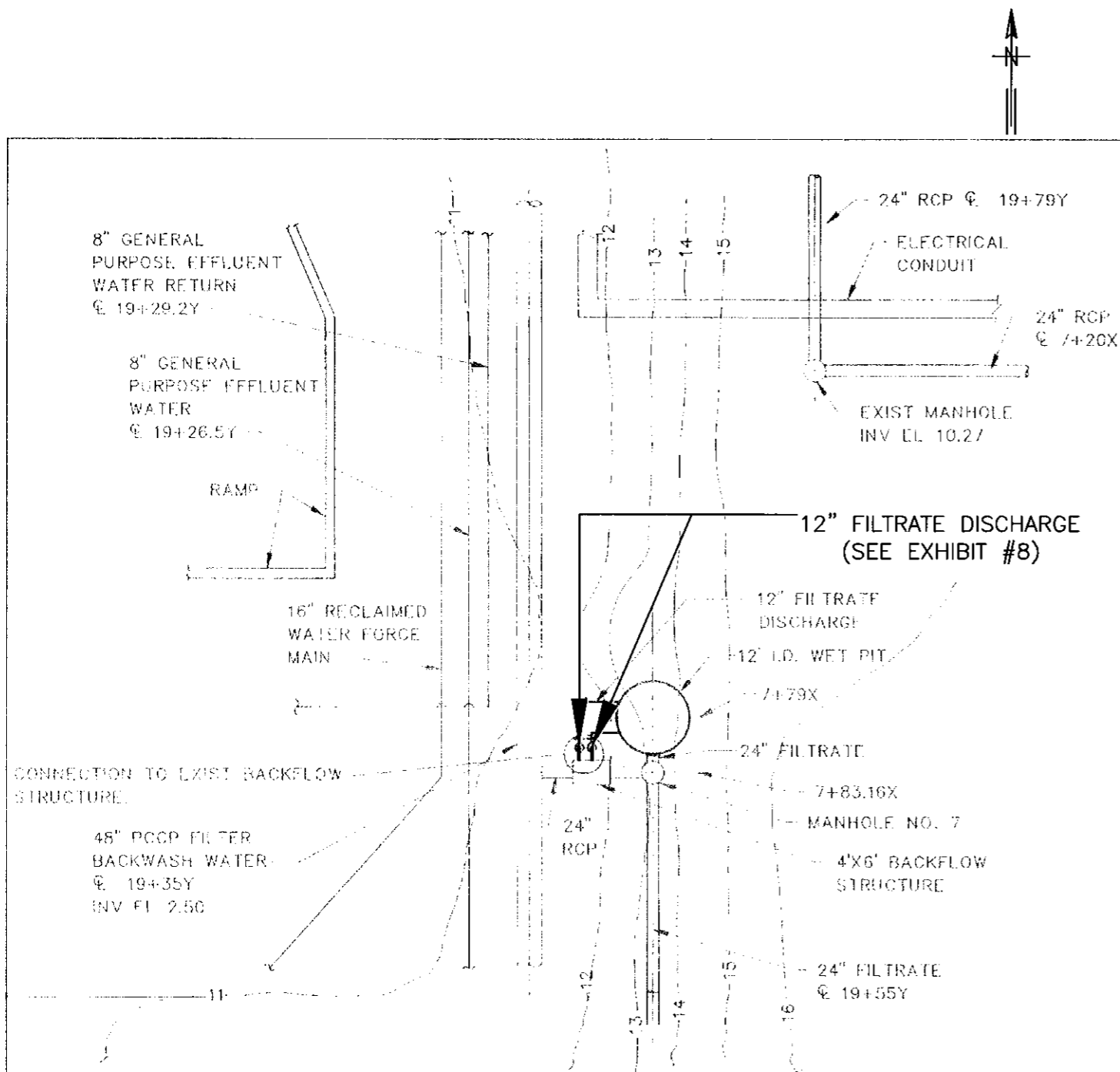
No.	DATE	REVISIONS
3		
2		
1		

DES: SK
DRN: MRL
CKD: JF
DATE: 6/27/08

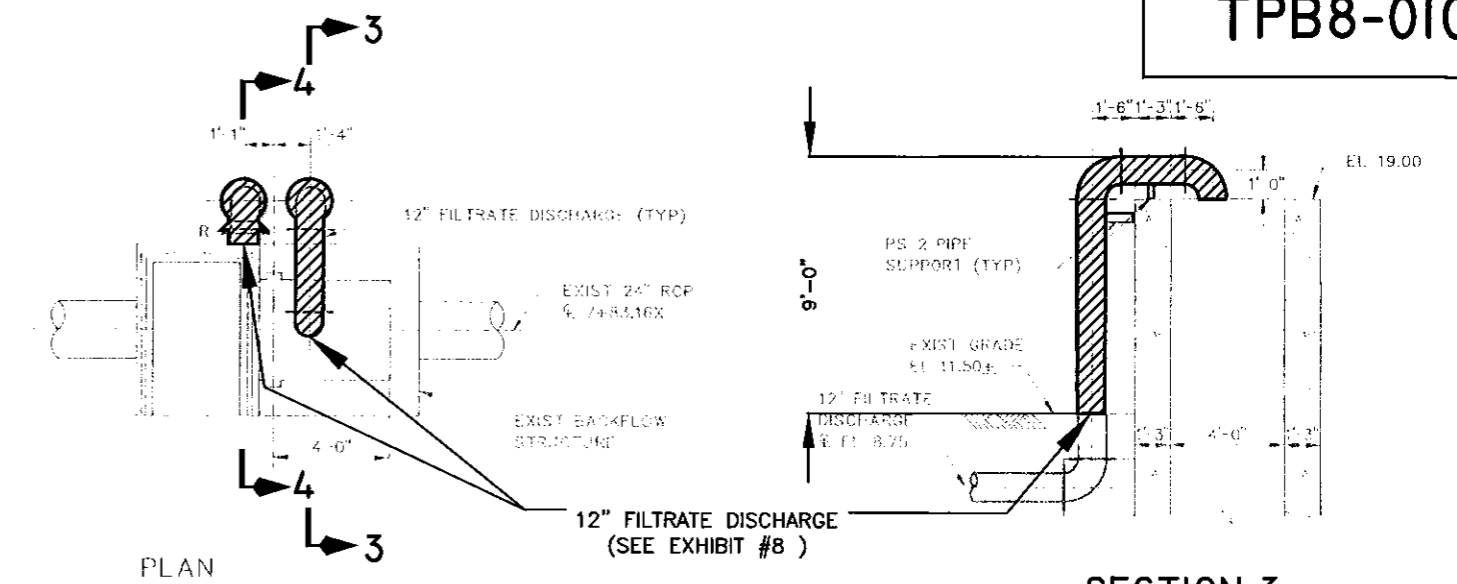
CITY of TAMPA
WASTEWATER DEPARTMENT

HFC AWTP EXTERIOR PROTECTIVE COATING APPLICATION SITE PLAN & GENERAL NOTES

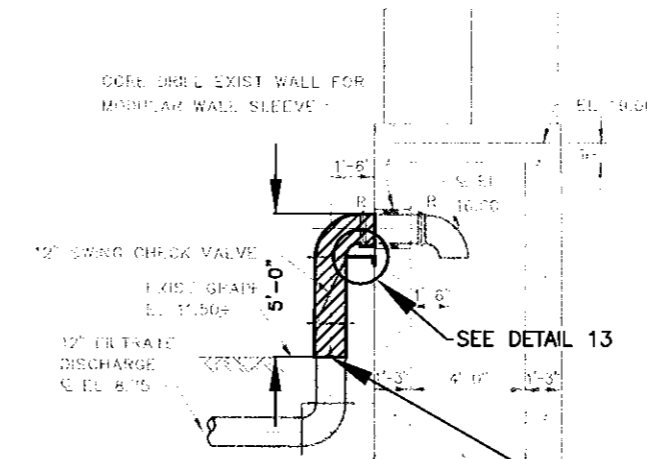
User: ss8k Drawing Name: K:\michal\autocad\DESIGN WORK\BOB MASON\AWTP Painting Sludge Storage And Drying Bed Piping\DWG\AWTP PAINTING.dwg Layout - FILTRATE PS, Jun 26, 2008 - 12:32pm



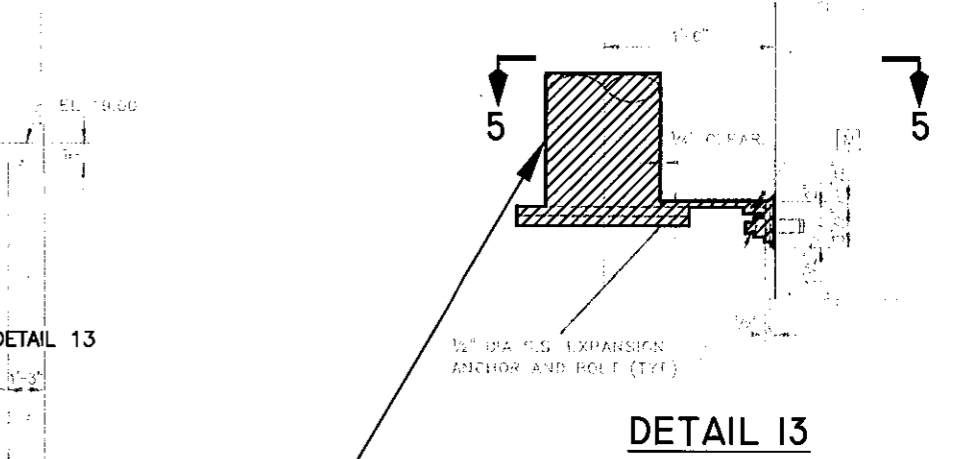
FILTRATE PUMPING STATION - PLAN VIEW
NOT TO SCALE



SECTION 3
NOT TO SCALE



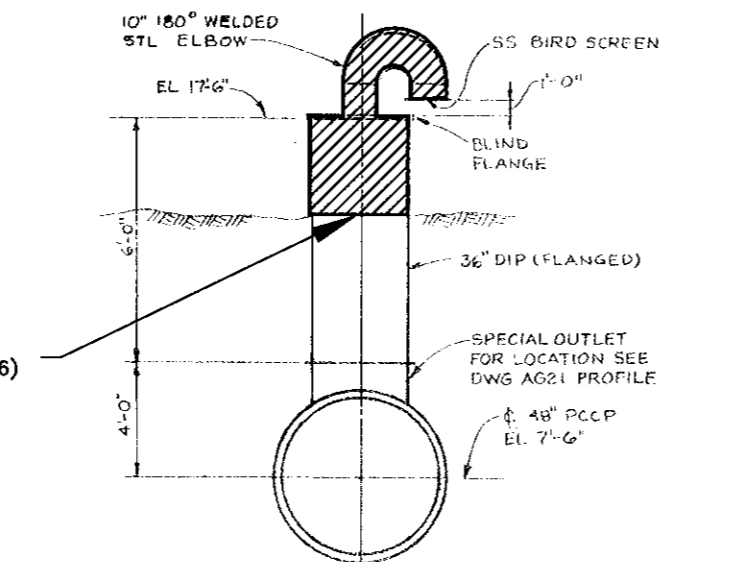
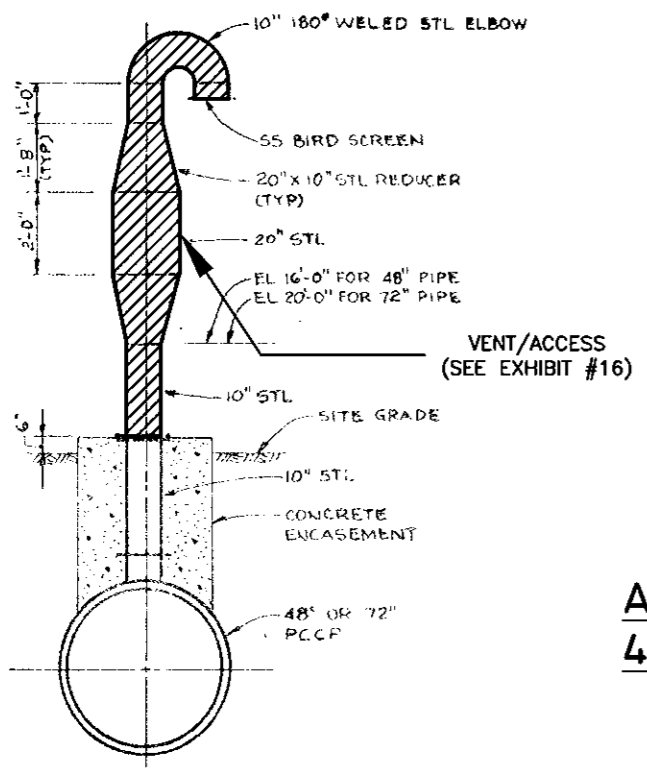
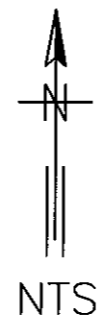
SECTION 4
NOT TO SCALE



SECTION 5
NOT TO SCALE

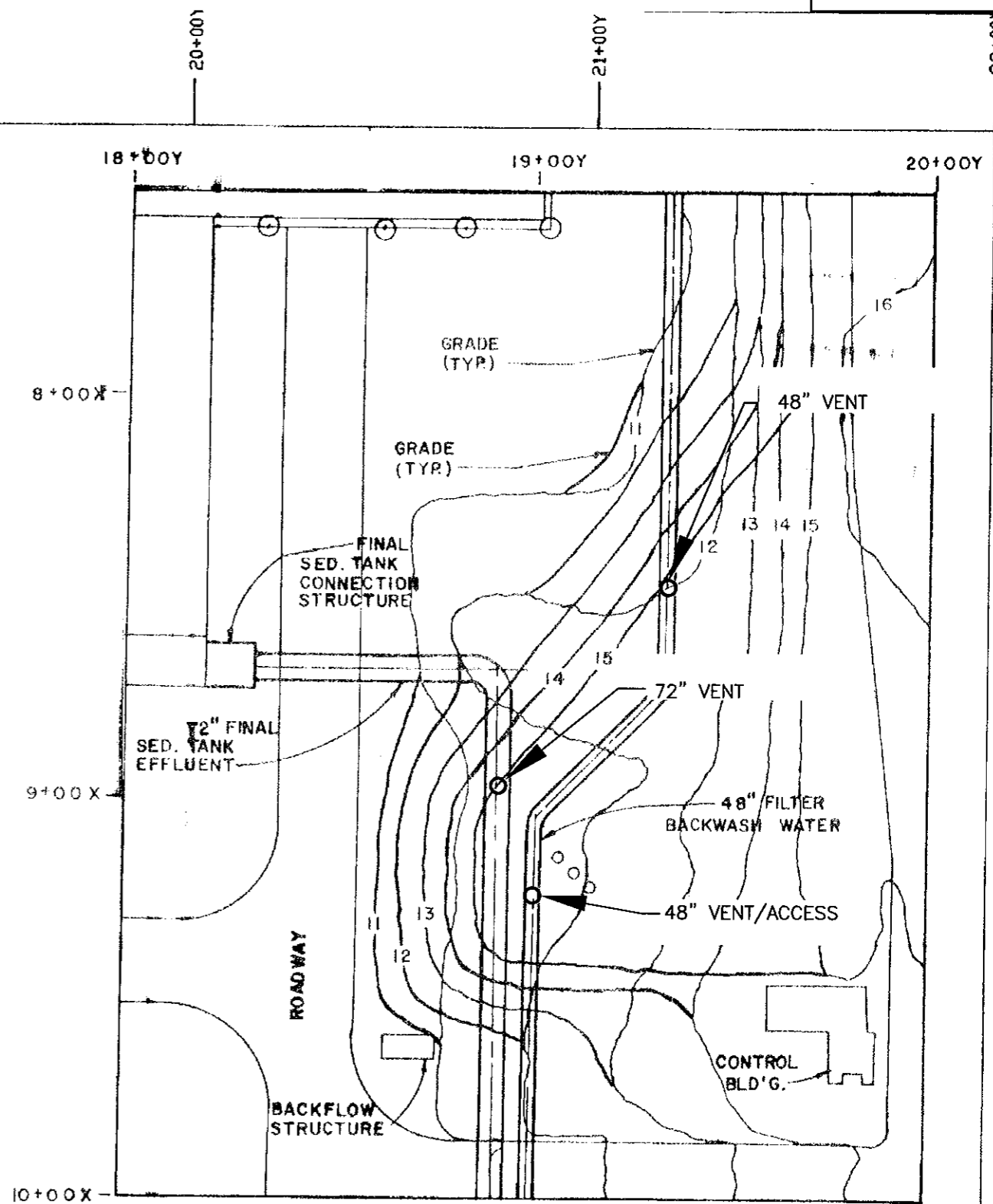
NOTE: CONTRACTOR MUST FIELD VERIFY ALL PIPING DIMENSIONS

No.	DATE	REVISIONS	DES: SK DRN: MRL CKD: JF DATE: 6/27/08	CITY of TAMPA WASTEWATER DEPARTMENT	HFC AWTP EXTERIOR PROTECTIVE COATING APPLICATION FILTRATE PUMPING STATION	W.O. 8113
3						SHEET
2						4
1						OF 19



ACCESS/VENT DETAIL
48" PCCP FILLER BACKWASH WATER
 NOT TO SCALE

VENT DETAIL
48" PCCP FILTER BACKWASH WATER AND
72" PCCP FINAL SED. TANK EFFLUENT
 NOT TO SCALE



PARTIAL PLAN
REVISED GRADING
 NOT TO SCALE

NOTE: CONTRACTOR MUST FIELD VERIFY ALL PIPING DIMENSIONS

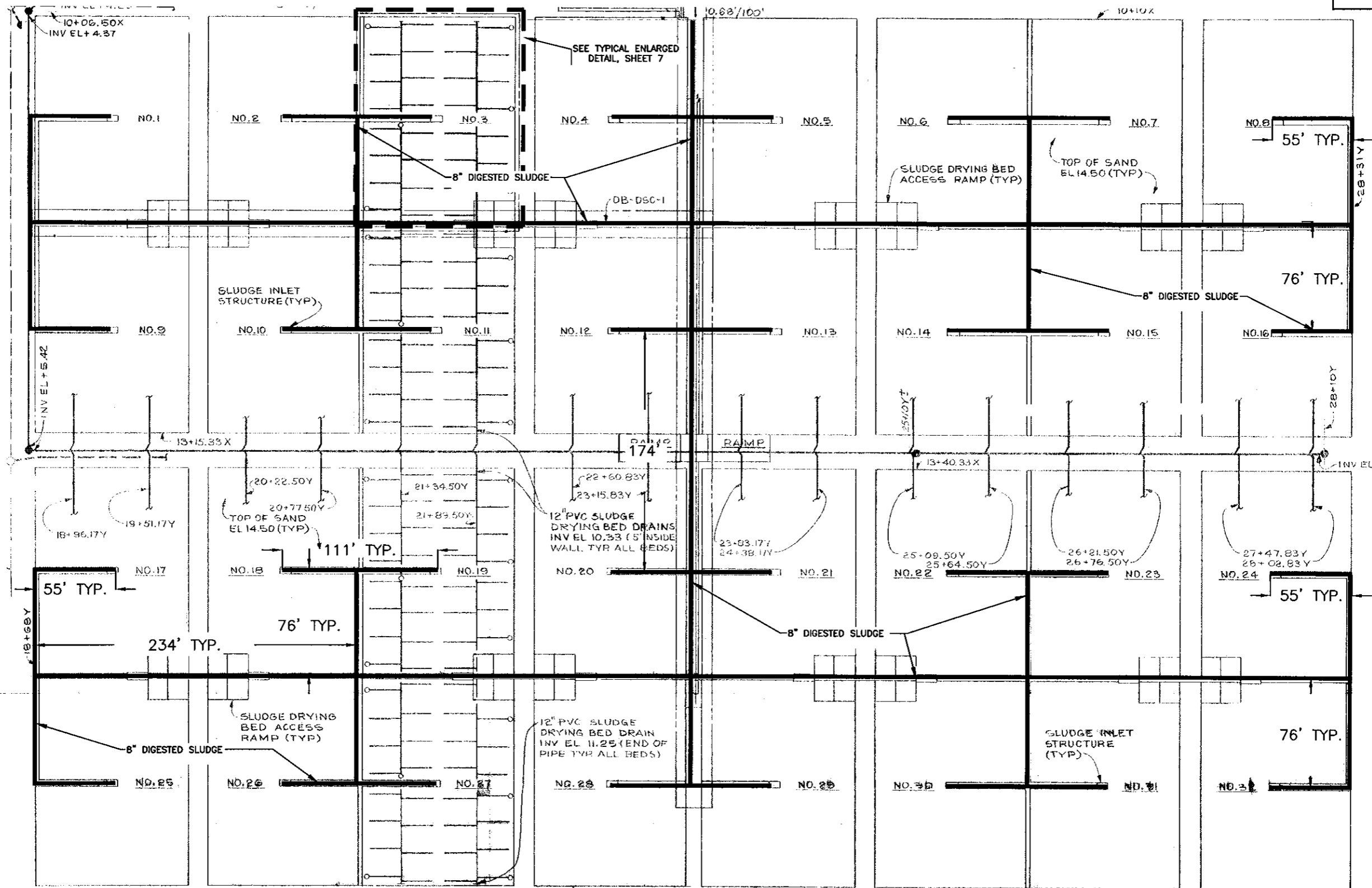
No.	DATE	REVISIONS
3		
2		
1		

DES: SK
 DRN: MRL
 CKD: JF
 DATE: 6/27/08

CITY of TAMPA
WASTEWATER DEPARTMENT

HFC AWTP EXTERIOR PROTECTIVE
COATING APPLICATION
VENT/ACCESS BACKWATER AND SED. TANK EFFLUENT

User: ss8k Drawing Name: K:\micah\autocad\DESIGN WORK\BOB MASON\AWTP Painting Sludge Storage And Drying Bed Piping\DWG\AWTP PAINTING.dwg Layout - VENT ACCESS, Jun 26, 2008 - 12:32pm



SLUDGE DRYING BEDS - PLAN VIEW
NOT TO SCALE

NOTE: SEE EXHIBITS 1, 1A, 1B, 3, 4, & 5 FOR PROJECT OVERVIEW PHOTC
NOTE: CONTRACTOR MUST FIELD VERIFY ALL PIPING DIMENSIONS

User: ss8k Drawing Name: K:\micah\autocad\DESIGN WORK\BOB MASON\AWTP Painting Sludge Storage And Drying Bed Piping\DWG\AWTP PAINTING.dwg
Layout - DRYING BED, Jun 26, 2008 - 12:32pm

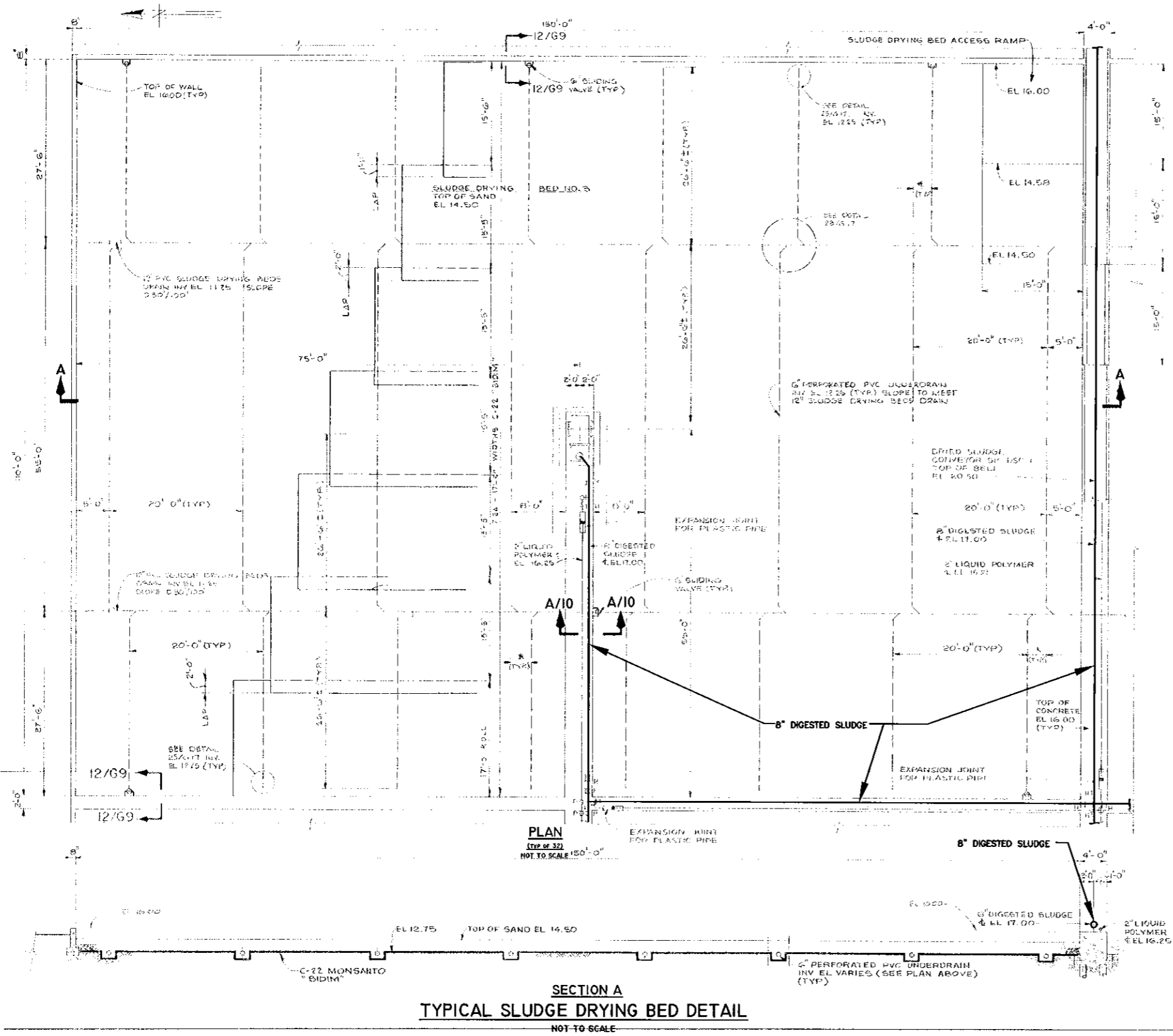
No.	DATE	REVISIONS
3		
2		
1		

DES: SK
DRN: MRL
CKD: JF
DATE: 6/27/08

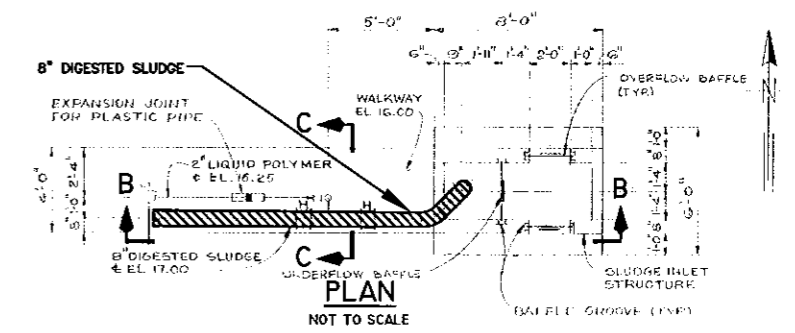
CITY of TAMPA
WASTEWATER DEPARTMENT

**HFC AWTP EXTERIOR PROTECTIVE
COATING APPLICATION
SLUDGE DRYING BEDS AREA**

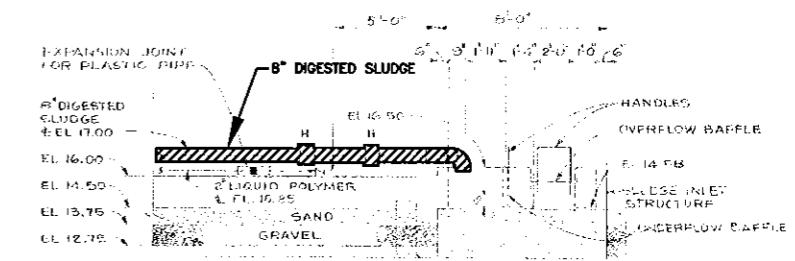
W.O. 8113
SHEET
6
OF 19



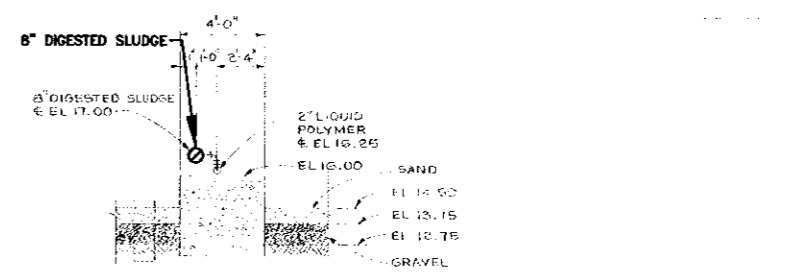
SECTION A
TYPICAL SLUDGE DRYING BED DETAIL
NOT TO SCALE



PLAN
NOT TO SCALE



SECTION B
NOT TO SCALE



SECTION C
SLUDGE INLET STRUCTURE DETAILS
NOT TO SCALE

NOTE: SEE EXHIBITS 1, 1A, 1B, 3, 4, & 5 FOR PROJECT OVERVIEW PHOTOS.
NOTE: CONTRACTOR MUST FIELD VERIFY ALL PIPING DIMENSIONS

No.	DATE	REVISIONS
3		
2		
1		

DES: SK
DRN: MRL
CKD: JF
DATE: 6/27/08

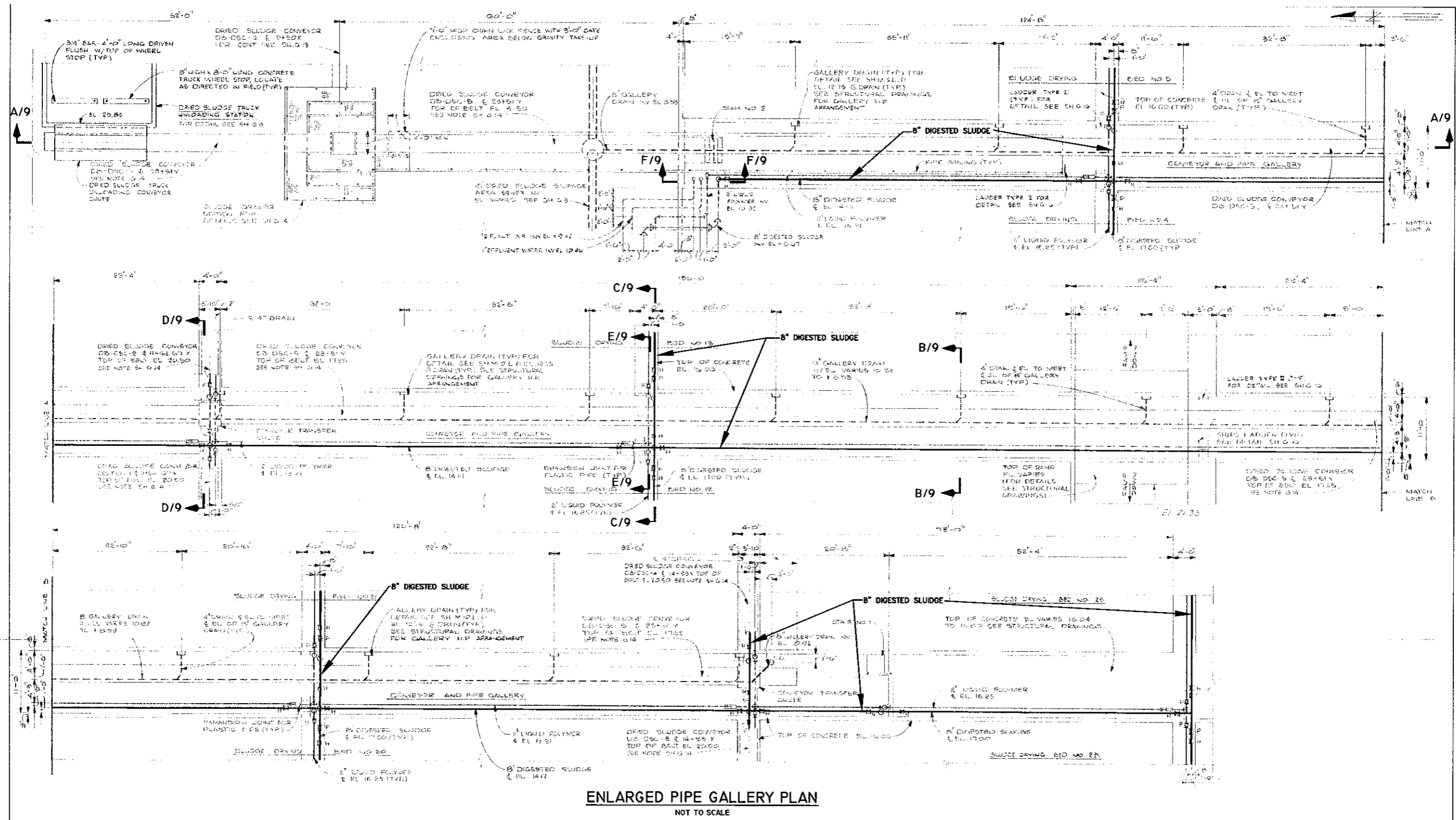
CITY of TAMPA
WASTEWATER DEPARTMENT

HFC AWTP EXTERIOR PROTECTIVE
COATING APPLICATION
SLUDGE DRYING BEDS AREA

W.O. 8113
SHEET
7
OF 19

User: ss8k Drawing Name: K:\micah\autocad\DESIGN WORK\BOB MASON\AWTP Painting Sludge Storage And Drying Bed Piping\DWG\AWTP PAINTING.dwg
Layout - BED DETAIL, Jun 26, 2008 - 12:32pm

User: ss8k Drawing Name: K:\michal\autocad\DESIGN WORK\BOB MASON\AWTP Painting Sludge Storage And Drying Bed Piping\DWG\AWTP PAINTING.dwg
 Layout - PIPE GALLERY, Jun 26, 2008 - 12:32pm



ENLARGED PIPE GALLERY PLAN
 NOT TO SCALE

NOTE: SEE EXHIBITS 1, 1A, 1B, 3, 4, & 5 FOR PROJECT OVERVIEW PHOTOS
 NOTE: CONTRACTOR MUST FIELD VERIFY ALL PIPING DIMENSIONS

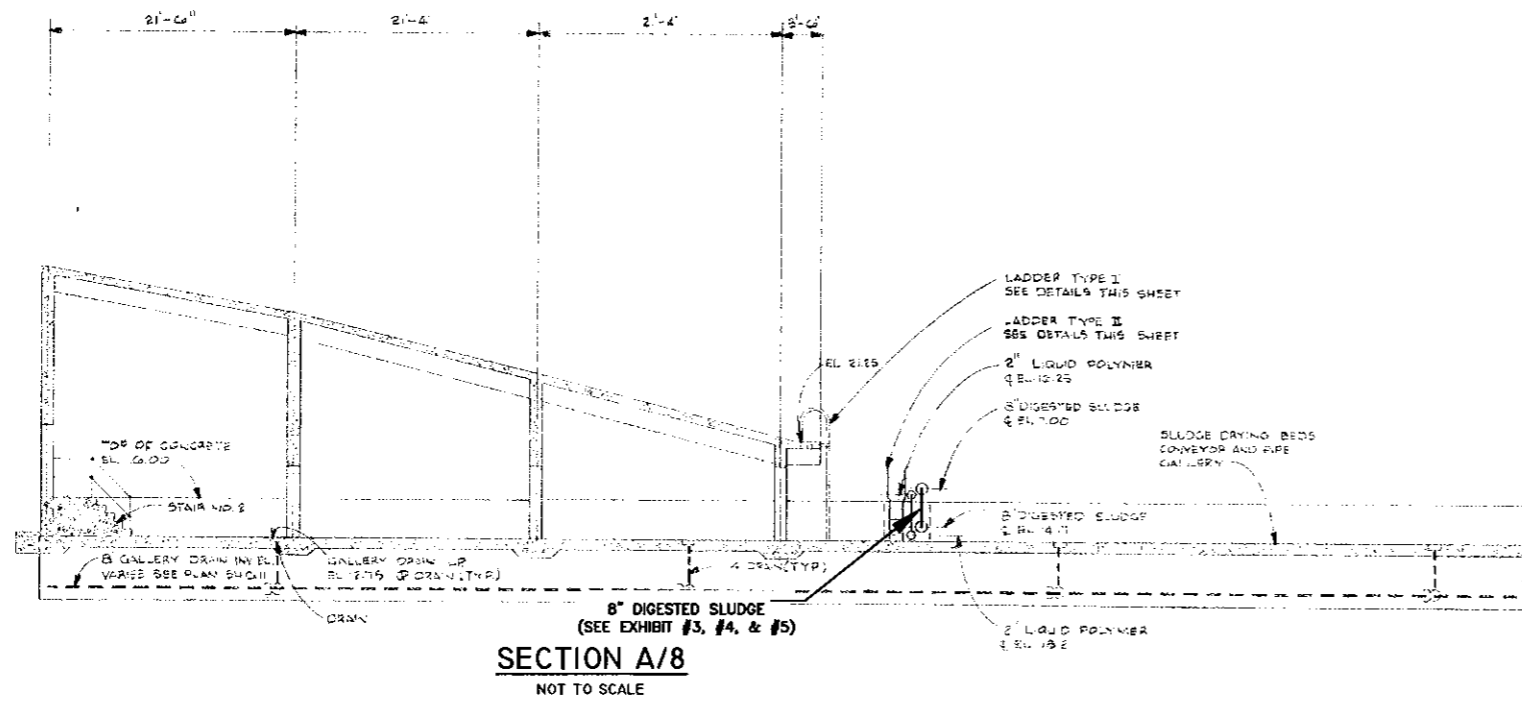
No.	DATE	REVISIONS
3		
2		
1		

DES: SK
 DRN: MRL
 CKD: JF
 DATE: 6/27/08

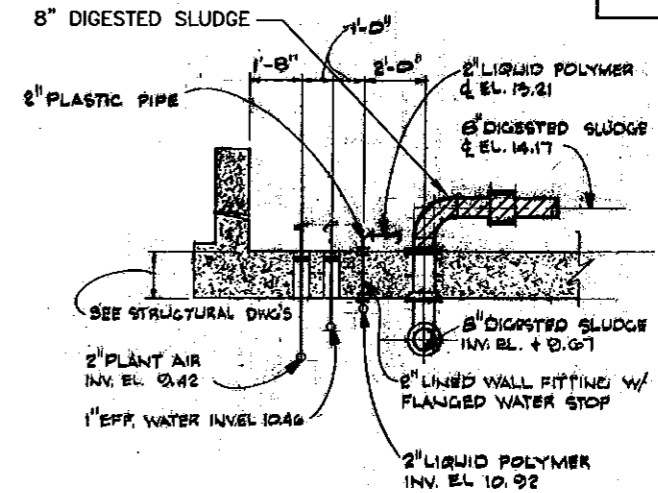
CITY of TAMPA
 WASTEWATER DEPARTMENT

HFC AWTP EXTERIOR PROTECTIVE
 COATING APPLICATION
 SLUDGE DRYING BEDS AREA

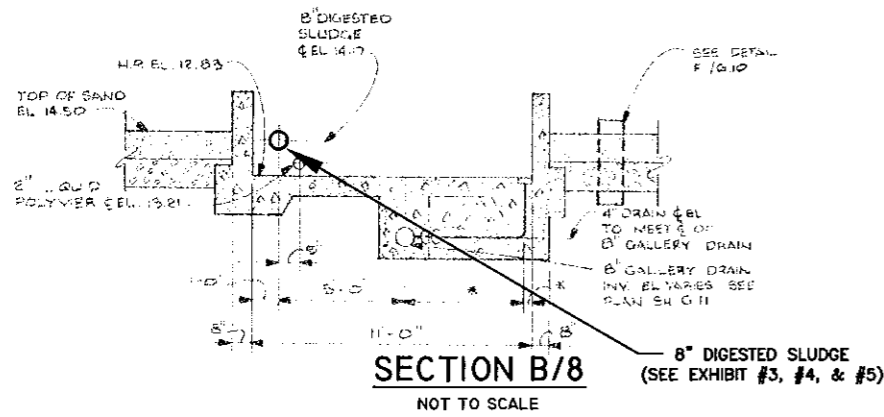
W.O. 8113
 SHEET
 8
 OF 19



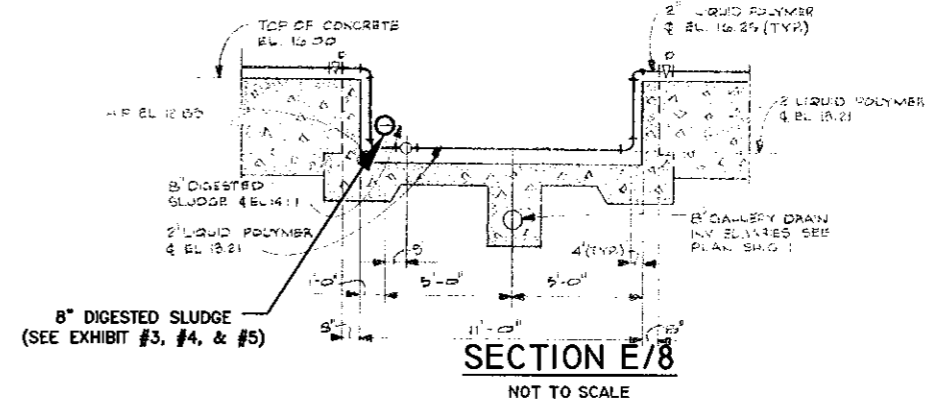
SECTION A/8
NOT TO SCALE



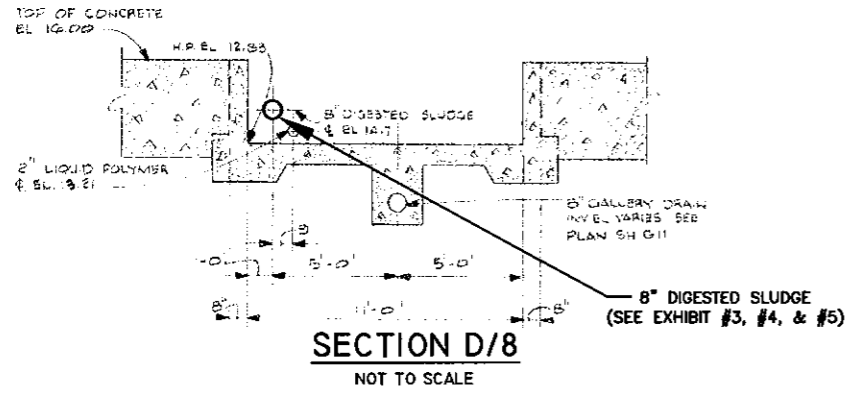
SECTION F/8
NOT TO SCALE



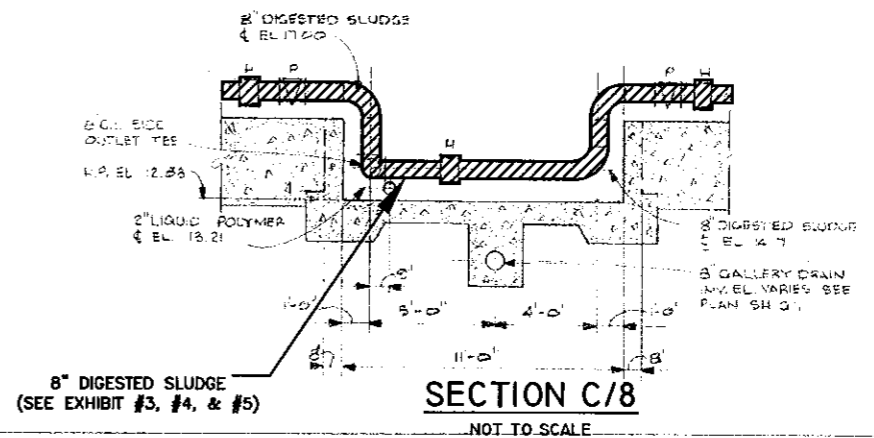
SECTION B/8
NOT TO SCALE



SECTION E/8
NOT TO SCALE



SECTION D/8
NOT TO SCALE



SECTION C/8
NOT TO SCALE

NOTE: CONTRACTOR MUST FIELD VERIFY ALL PIPING DIMENSIONS

User: ss8k Drawing Name: K:\micah\autocad\DESIGN WORK\BOB MASON\AWTP Painting Sludge Storage And Drying Bed Piping\DWG\AWTP PAINTING.dwg
Layout - BED SECTIONS, Jun 26, 2008 - 12:32pm

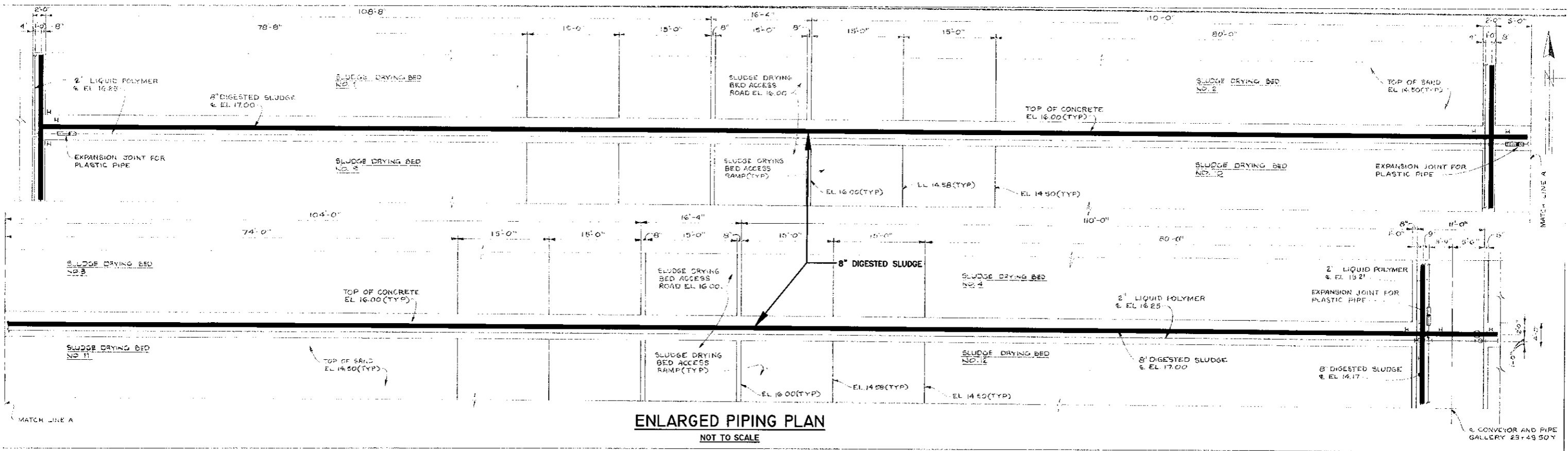
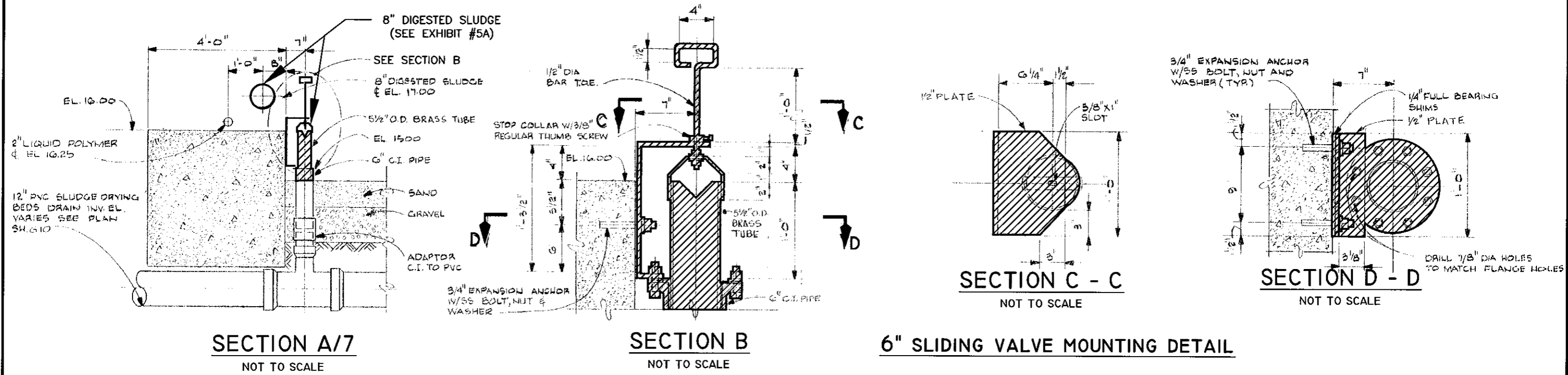
No.	DATE	REVISIONS
3		
2		
1		

DES: SK
DRN: MRL
CKD: JF
DATE: 6/27/08

CITY of TAMPA
WASTEWATER DEPARTMENT

**HFC AWTP EXTERIOR PROTECTIVE
COATING APPLICATION
SLUDGE DRYING BEDS AREA**

User: ss8k Drawing Name: K:\mitch\autocad\DESIGN WORK\BOB MASON\AWTP Painting Sludge Storage And Drying Bed Piping\DWG\AWTP PAINTING.dwg Layout - PIPING PLAN, Jun 26, 2008 - 12:32pm



NOTE: CONTRACTOR MUST FIELD VERIFY ALL PIPING DIMENSIONS

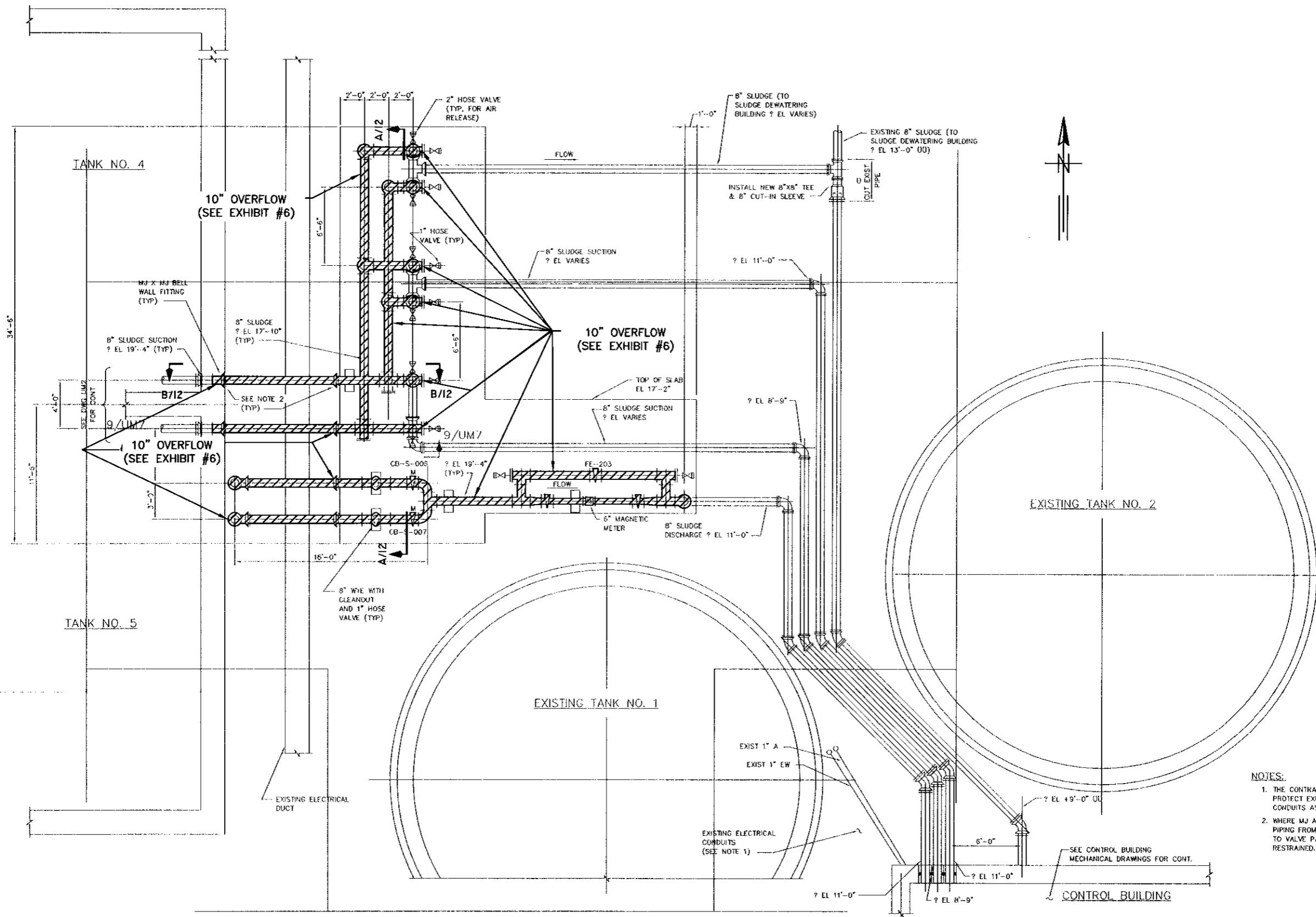
No.	DATE	REVISIONS
3		
2		
1		

DES: SK
 DRN: MRL
 CKD: JF
 DATE: 6/27/08

CITY of TAMPA
 WASTEWATER DEPARTMENT

HFC AWTP EXTERIOR PROTECTIVE COATING APPLICATION
 SLUDGE DRYING BEDS AREA

W.O. 8113
 SHEET
10
 OF 19



PLAN AT EL. 21' - 0"
NOT TO SCALE

NOTE: CONTRACTOR MUST FIELD VERIFY ALL PIPING DIMENSIONS

- NOTES:
1. THE CONTRACTOR SHALL LOCATE AND PROTECT EXISTING ELECTRICAL CONDUITS AS PER SPECIFICATIONS.
 2. WHERE MJ ABOVE GRADE IS USED TO CONNECT PIPING FROM THE NEW SLUDGE STORAGE TANKS TO VALVE PAD, THIS JOINT SHALL NOT BE RESTRAINED.

User: ss8k Drawing Name: K:\mich\autocad\DESIGN WORK\BOB MASON\AWTP Painting Sludge Storage And Drying Bed Piping\DWG\AWTP PAINTING.dwg Layout - WEST PIPING LOCATION, Jun 26, 2008 - 12:32pm

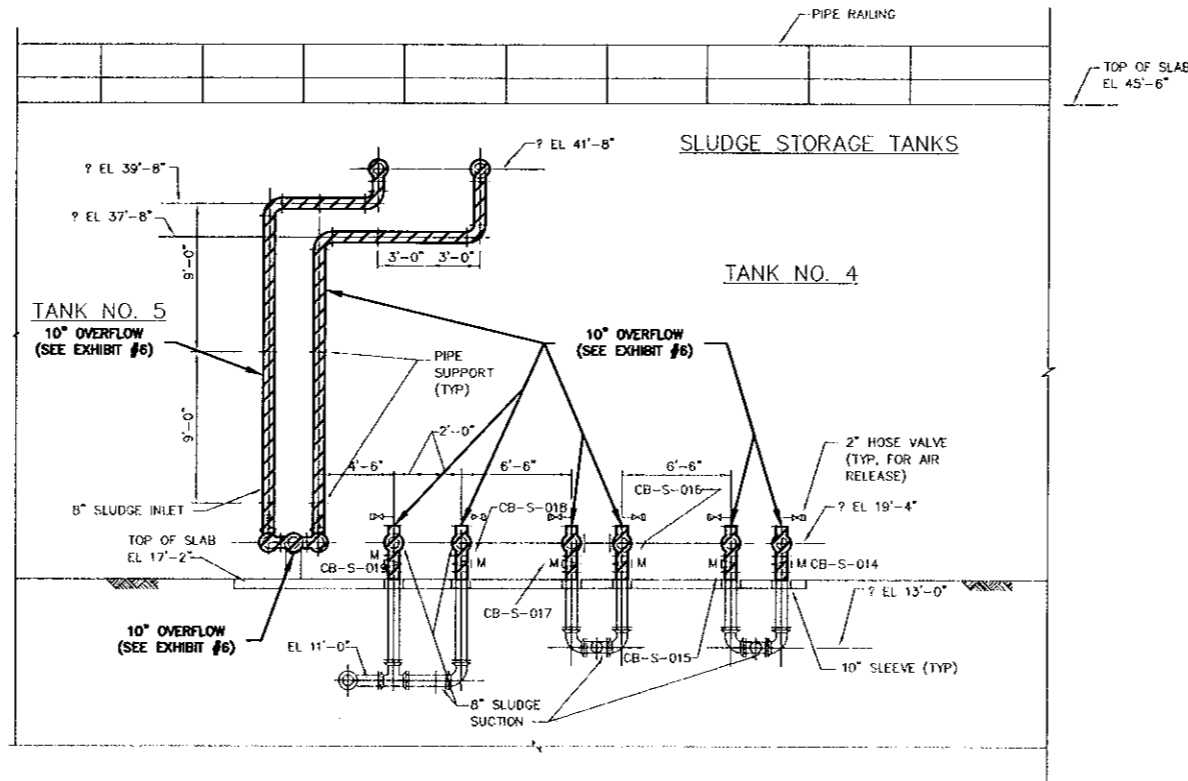
No.	DATE	REVISIONS
3		
2		
1		

DES: SK
DRN: MRL
CKD: JF
DATE: 6/27/08

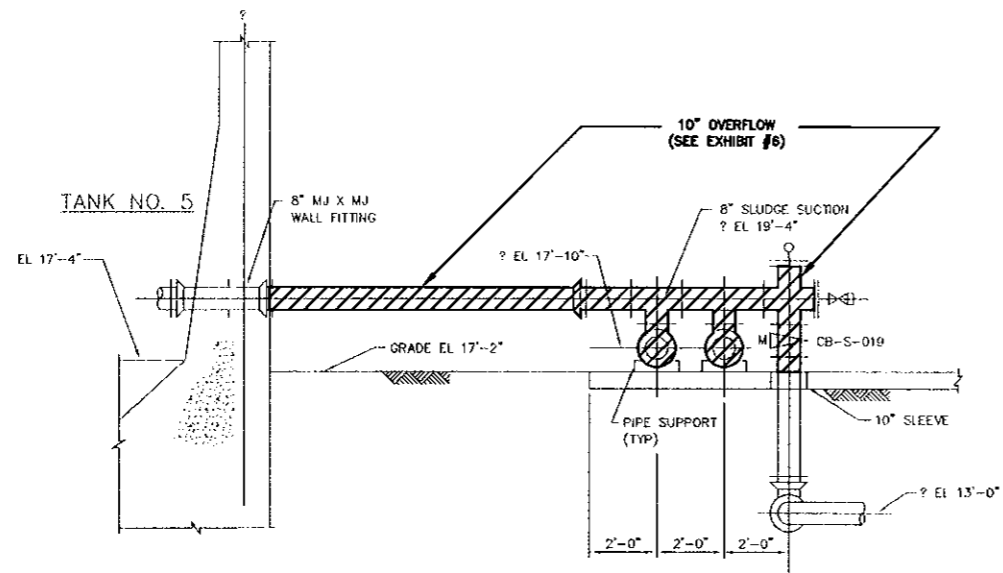
CITY of TAMPA
WASTEWATER DEPARTMENT

HFC AWTP EXTERIOR PROTECTIVE COATING APPLICATION
SLUDGE STORAGE TANKS 4 & 5
EAST PIPING LOCATIONS

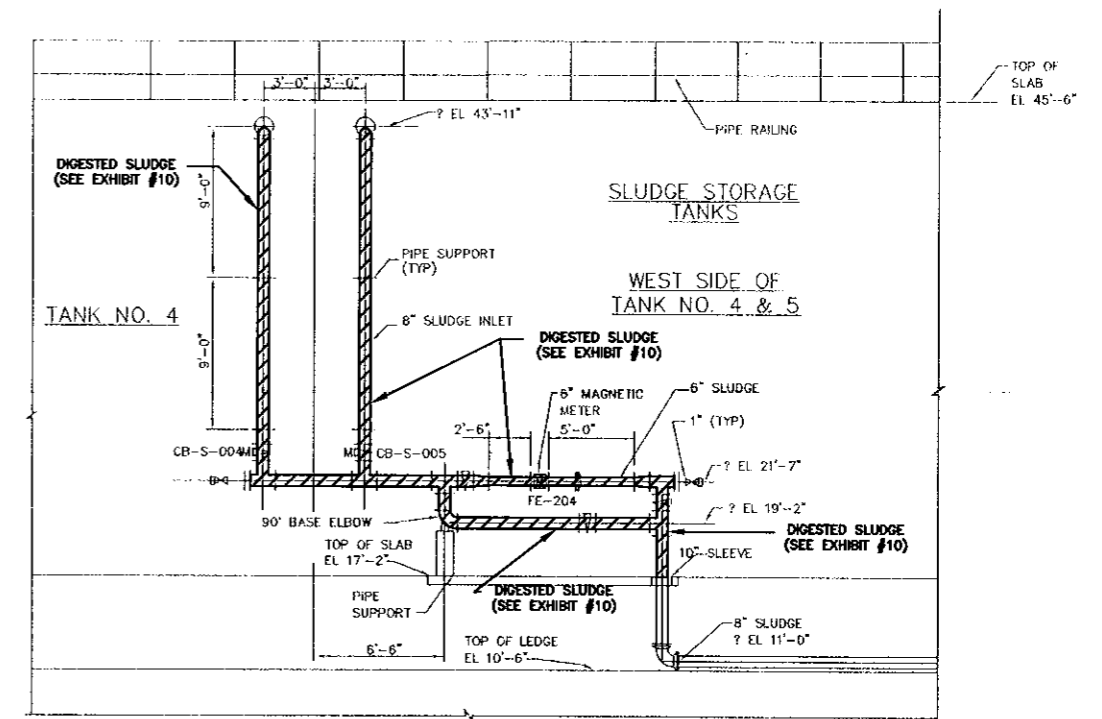
W.O. 8113
SHEET
11
OF 19



SECTION A/II
NOT TO SCALE



STORAGE TANK AREA 054
SECTION B/II (EXHIBIT #6)
NOT TO SCALE



STORAGE TANK AREA 054
SECTION VIEW (EXHIBIT #10)
NOT TO SCALE

NOTE: CONTRACTOR MUST FIELD VERIFY ALL PIPING DIMENSIONS

User: ss8k Drawing Name: K:\micah\autocad\DESIGN WORK\BOB MASON\AWTP Painting Sludge Storage And Drying Bed Piping\DWG\AWTP PAINTING.dwg Layout - details, Jun 26, 2008 - 12:32pm

No.	DATE	REVISIONS
3		
2		
1		

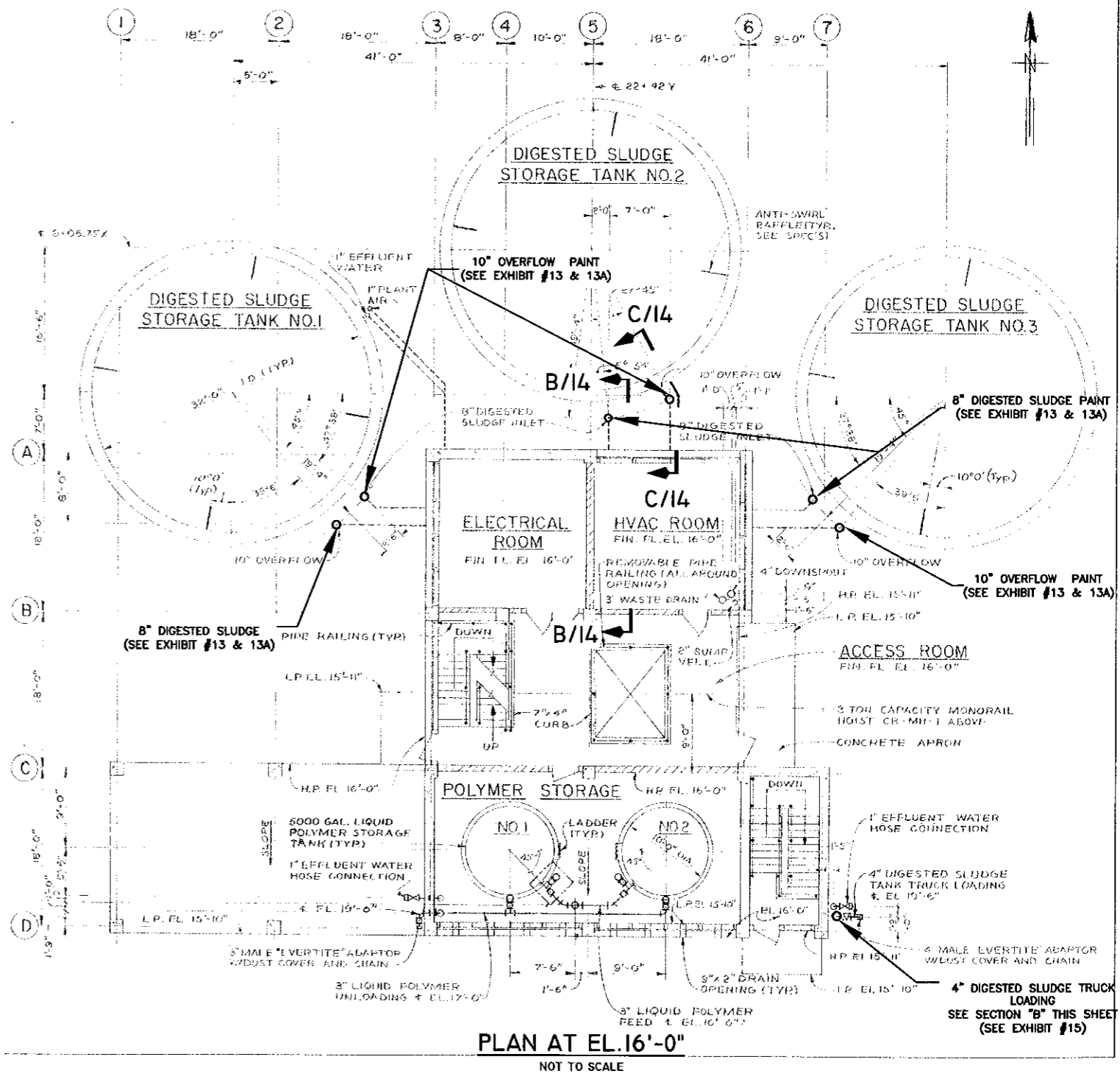
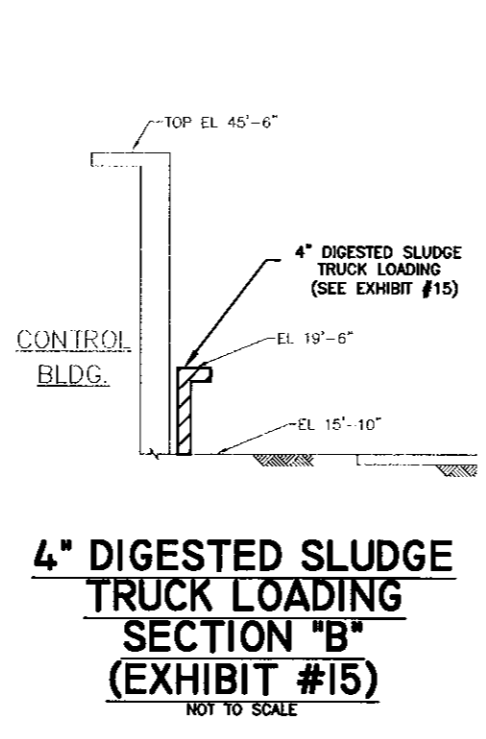
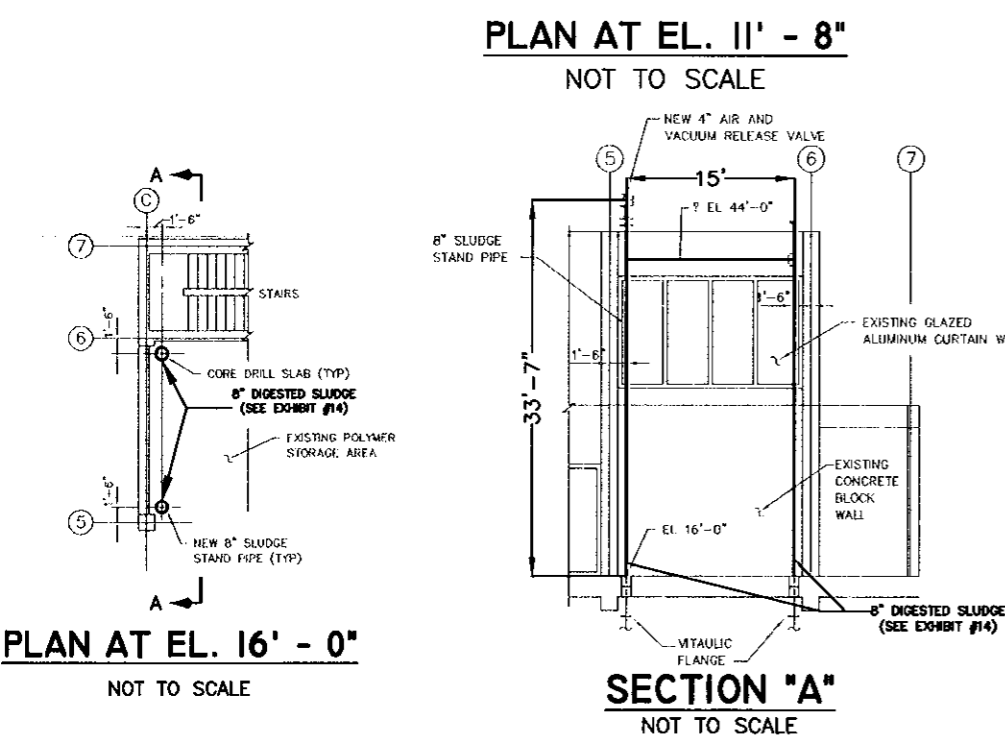
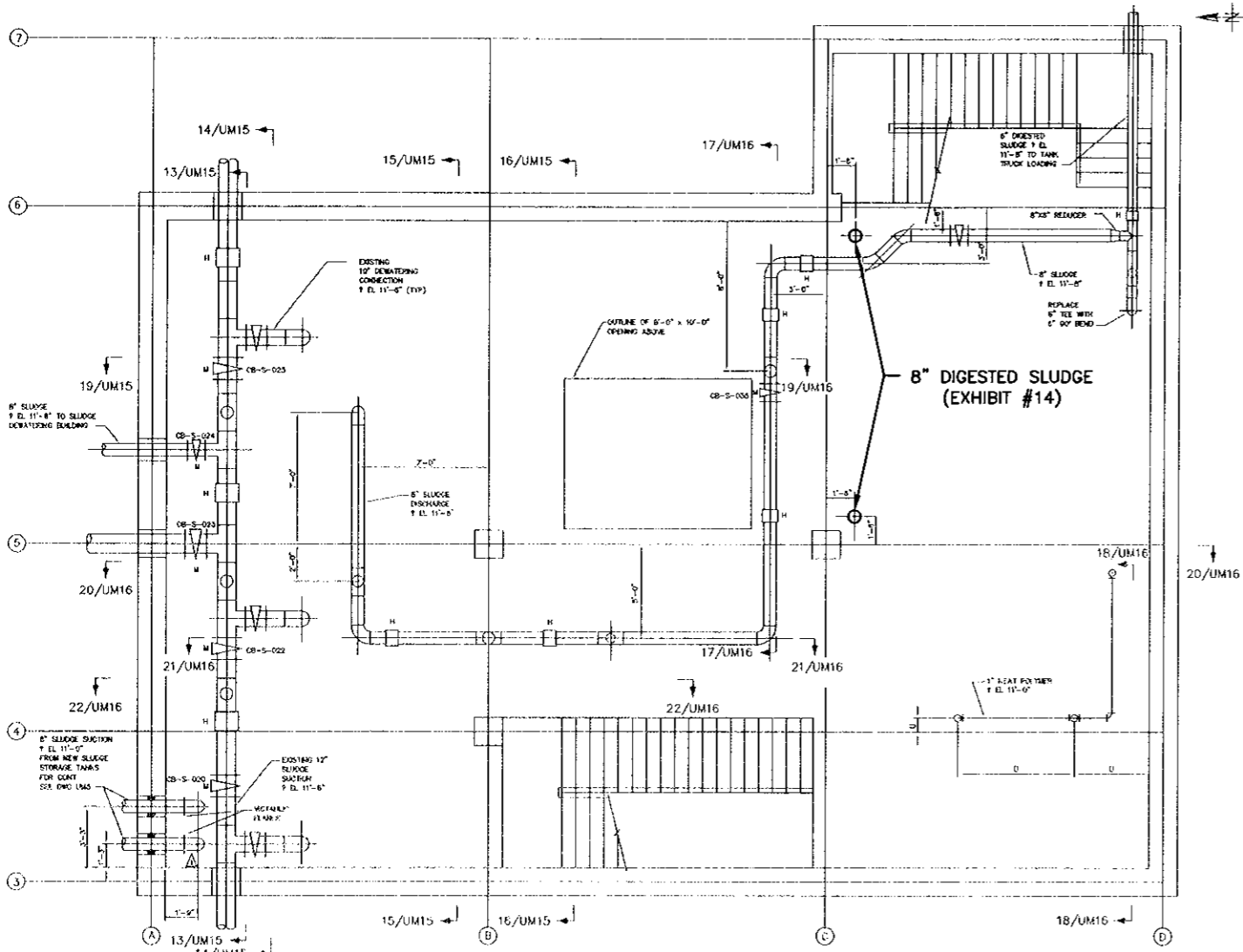
DES: SK
DRN: MRL
CKD: JF
DATE: 6/27/08

CITY of TAMPA
WASTEWATER DEPARTMENT

HFC AWTP EXTERIOR PROTECTIVE COATING APPLICATION
SLUDGE STORAGE TANKS 4 & 5
OVERFLOW PIPING

W.O. 8113
SHEET
12
OF 19

User: ss8k Drawing Name: K:\micah\autocad\DESIGN WORK\BOB MASON\AWTP Painting Sludge Storage And Drying Bed Piping\DWG\AWTP PAINTING.dwg Layout 1 - SLUDGE TANKS, Jun 26, 2008 - 12:32pm



NOTE: CONTRACTOR MUST FIELD VERIFY ALL PIPING DIMENSIONS

No.	DATE	REVISIONS
3		
2		
1		

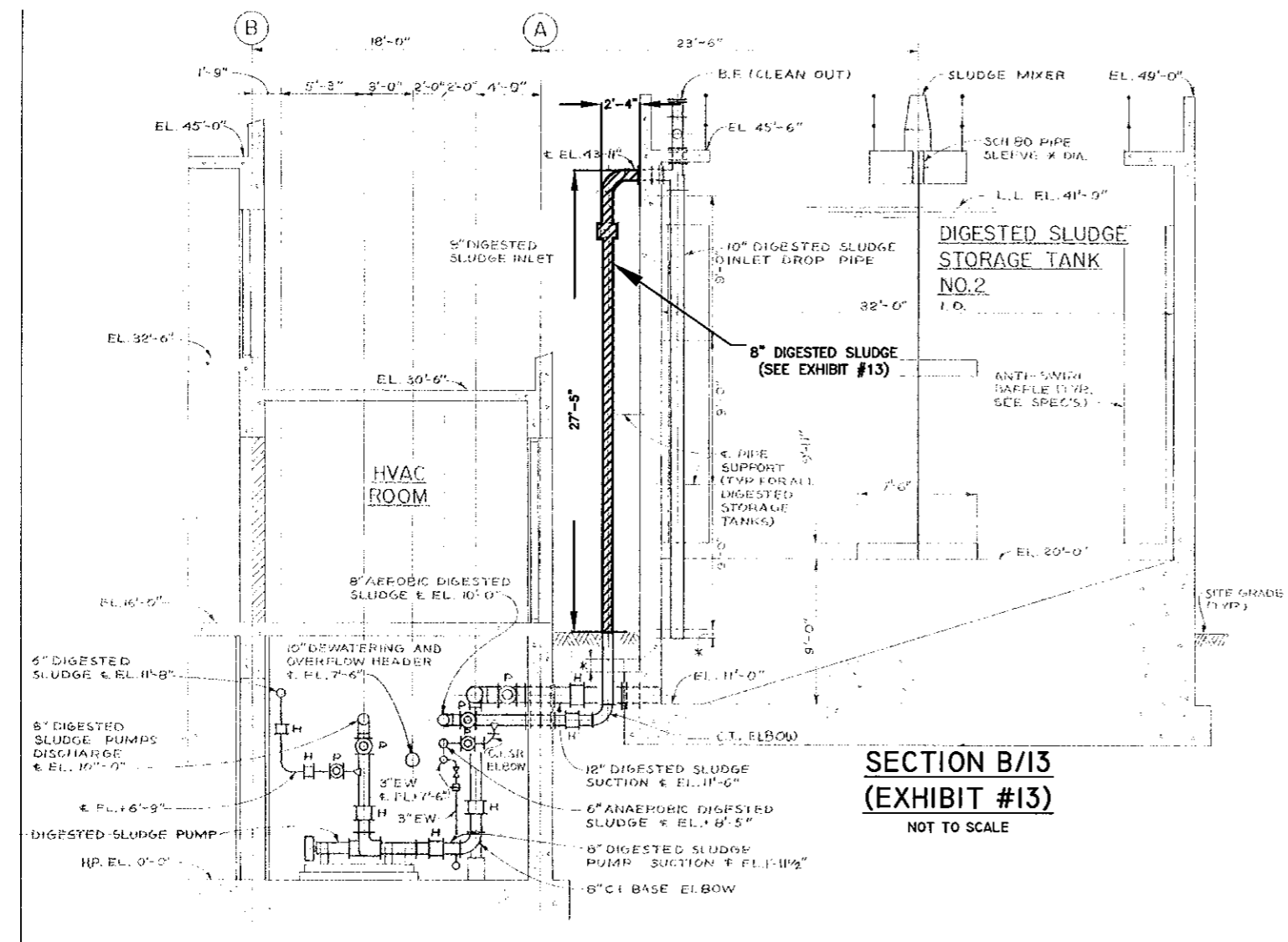
DES: SK
DRN: MRL
CKD: JF
DATE: 6/27/08

CITY of TAMPA
WASTEWATER DEPARTMENT

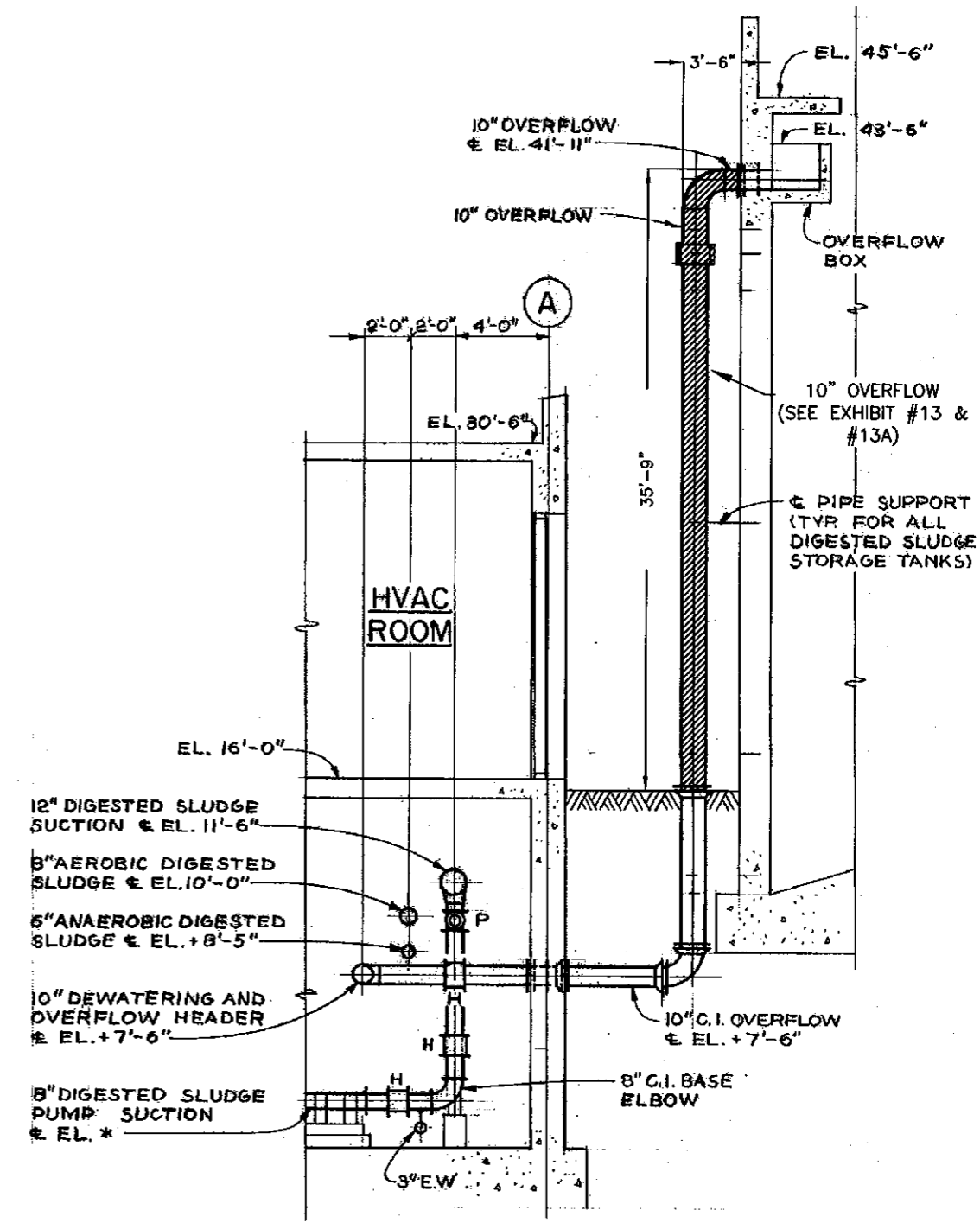
HFC AWTP EXTERIOR PROTECTIVE COATING APPLICATION
SLUDGE STORAGE TANKS EXTERIOR PIPING

W.O. 8113
SHEET 13 OF 19

User: ss8k Drawing Name: K:\micah\autocad\DESIGN WORK\BOB MASON\AWTP Painting Sludge Storage And Drying Bed Piping\DWG\AWTP PAINTING.dwg
 Layout - TANK SECTION, Jun 26, 2008 - 12:32pm



**SECTION B/13
(EXHIBIT #13)**
NOT TO SCALE



**SECTION C/13
(EXHIBIT #13)**
NOT TO SCALE

NOTE: CONTRACTOR MUST FIELD VERIFY ALL PIPING DIMENSIONS

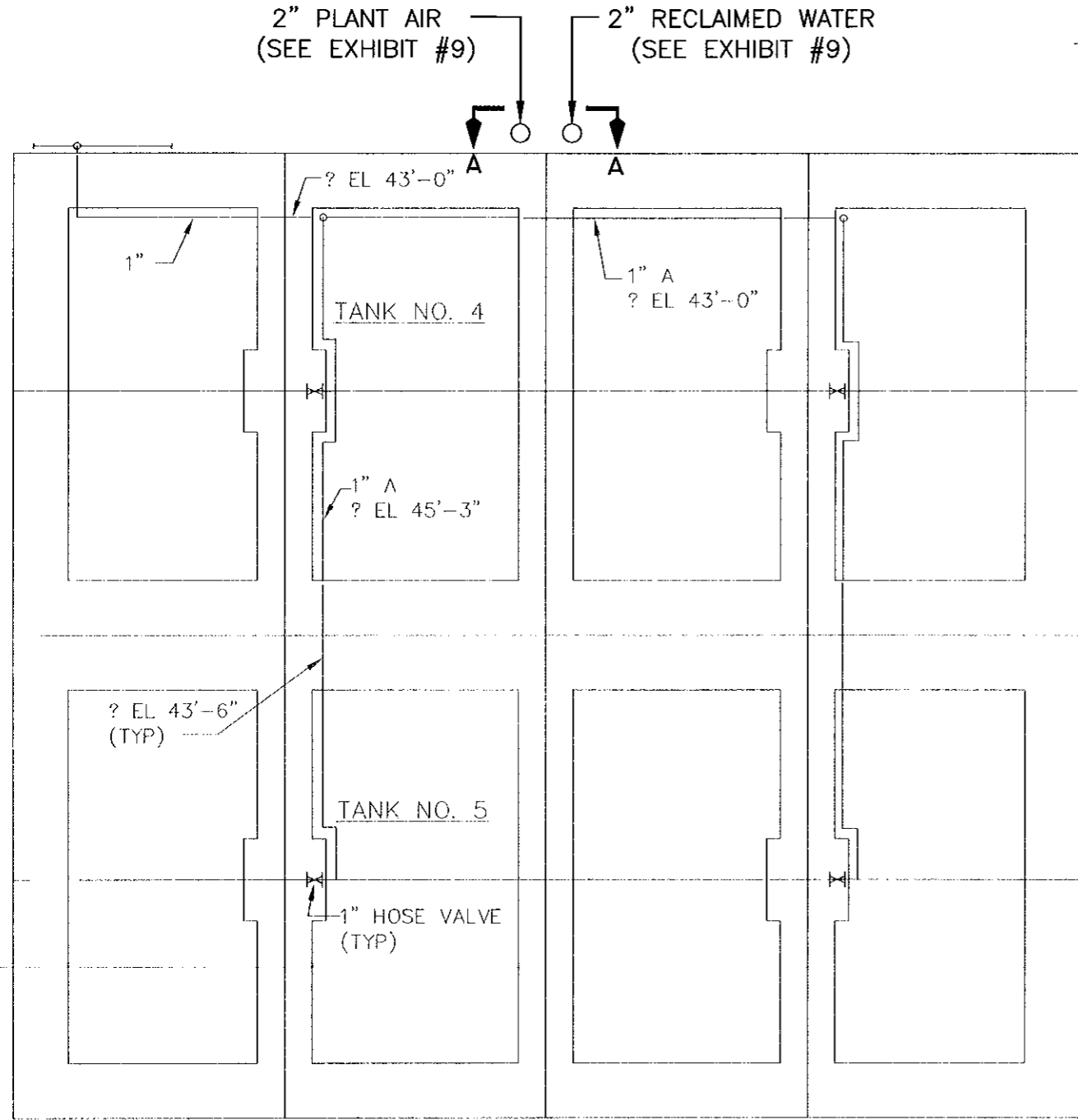
No.	DATE	REVISIONS
3		
2		
1		

DES: SK
 DRN: MRL
 CKD: JF
 DATE: 6/27/08

CITY of TAMPA
 WASTEWATER DEPARTMENT

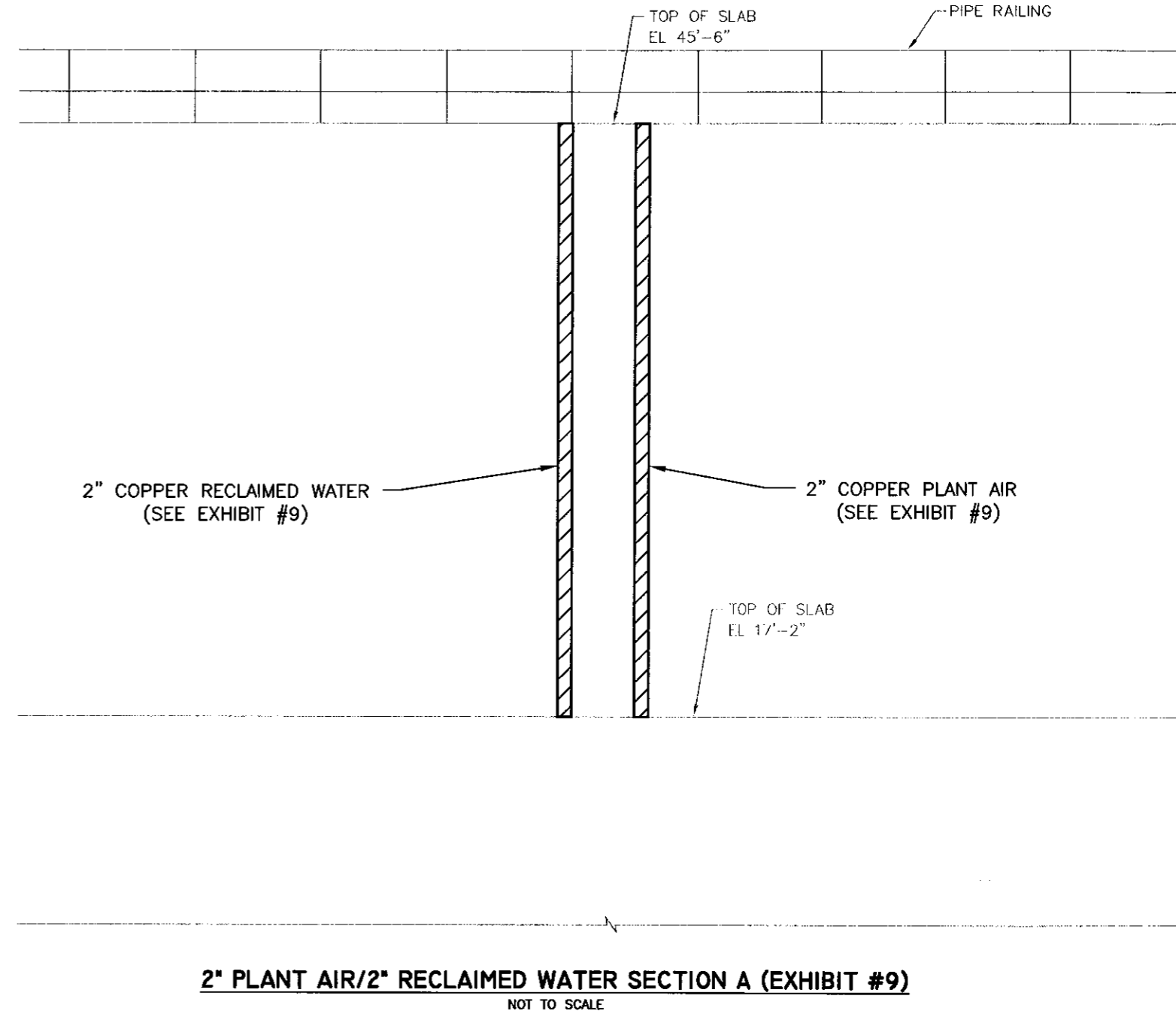
**HFC AWTP EXTERIOR PROTECTIVE
 COATING APPLICATION
 SLUDGE STORAGE TANKS**

W.O. 8113
 SHEET
14
 OF 19



PLANT AIR/RECLAIMED WATER LINE DIAGRAM

NOT TO SCALE



NOTE: CONTRACTOR MUST FIELD VERIFY ALL PIPING DIMENSIONS

User: ss8k Drawing Name: K:\micah\autocad\DESIGN WORK\BOB MASON\AWTP Painting Sludge Storage And Drying Bed Piping\DWG\AWTP PAINTING.dwg Layout - PLANT AIR, Jun 26, 2008 - 12:32pm

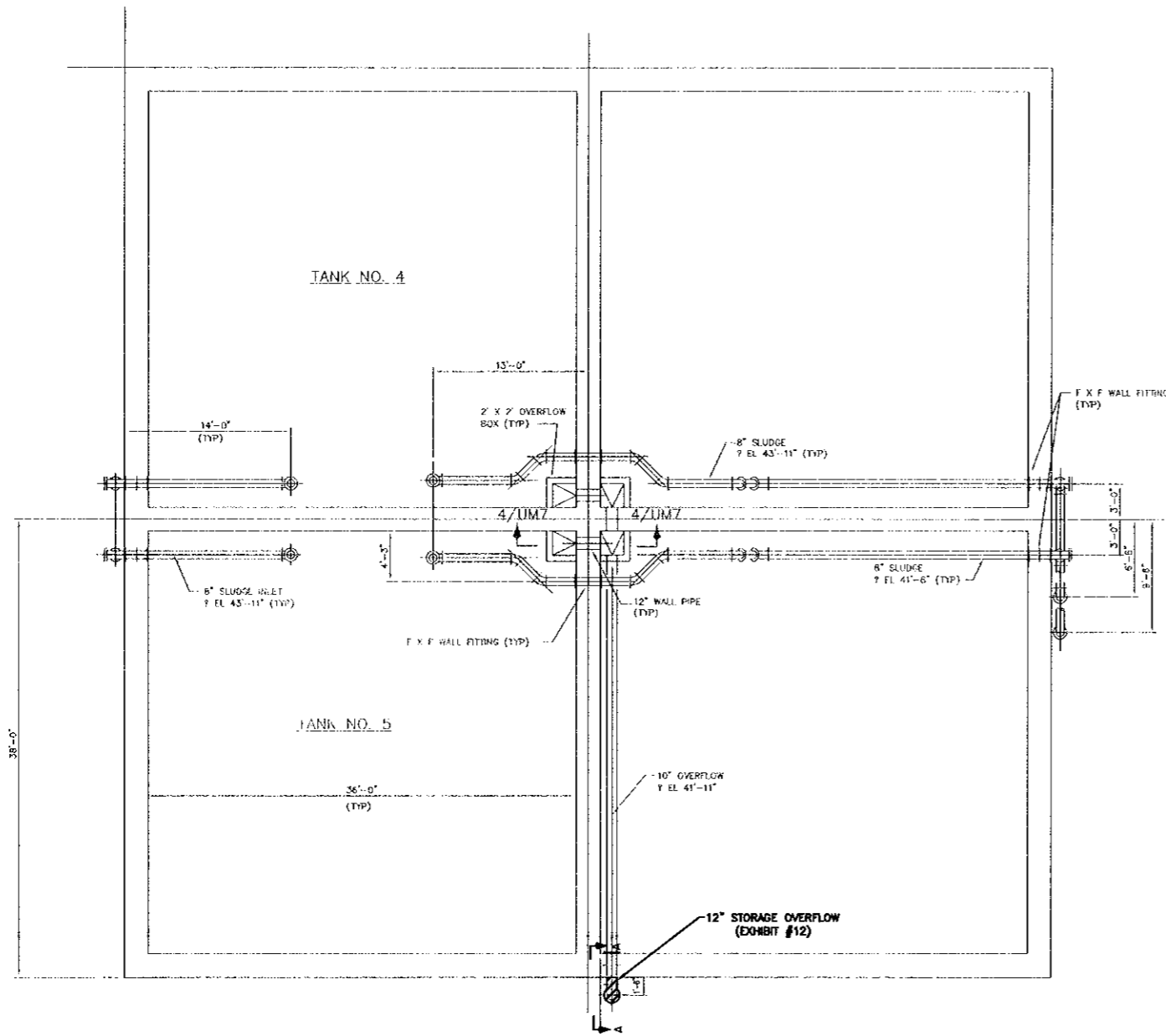
No.	DATE	REVISIONS
3		
2		
1		

DES: SK
 DRN: MRL
 CKD: JF
 DATE: 6/22/08

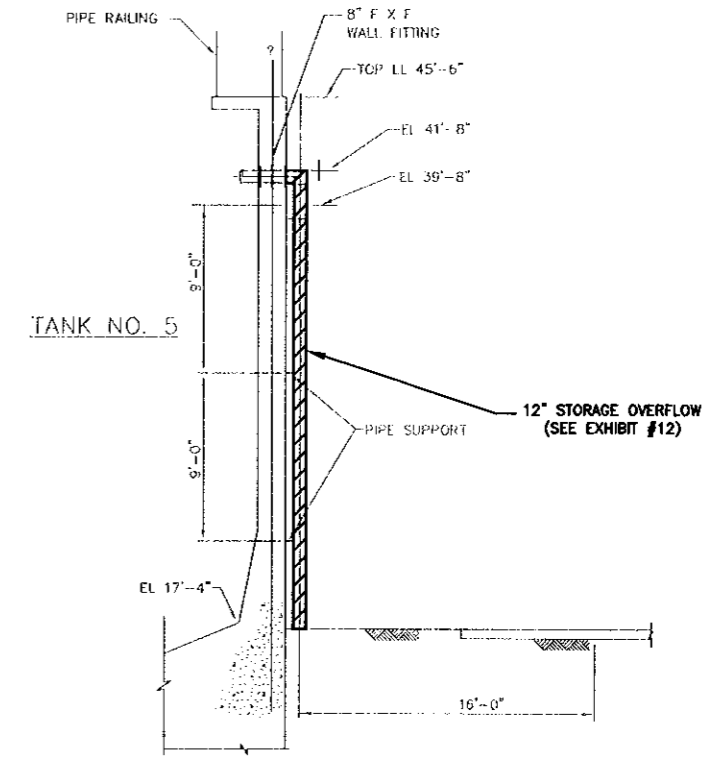
CITY of TAMPA
 WASTEWATER DEPARTMENT

**HFC AWTP EXTERIOR PROTECTIVE
 COATING APPLICATION
 PLANT AIR & RECLAIMED WATER LINE DIAGRAM**

W.O. 8113
 SHEET
15
 OF 19



PLAN AT EL 45'-0"
NOT TO SCALE



STORAGE OVERFLOW SECTION "A"
(EXHIBIT #12)
NOT TO SCALE

NOTE: CONTRACTOR MUST FIELD VERIFY ALL PIPING DIMENSIONS

No.	DATE	REVISIONS
3		
2		
1		

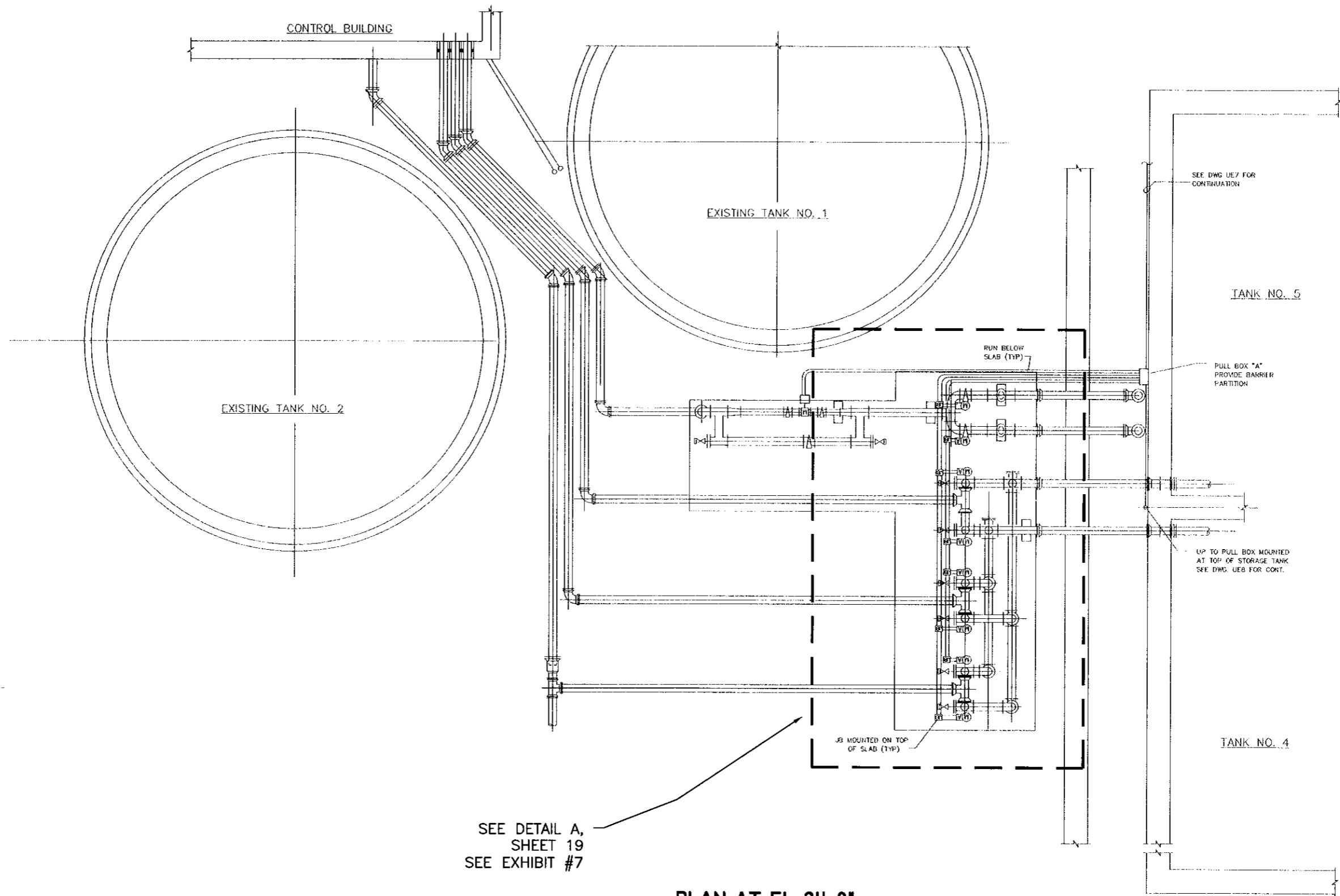
DES: SK
DRN: MRL
CKD: JF
DATE: 6/27/08

CITY of TAMPA
WASTEWATER DEPARTMENT

HFC AWTP EXTERIOR PROTECTIVE COATING APPLICATION STORAGE OVERFLOW PIPING

W.O. 8113
SHEET
16
OF 19

User: ss8k Drawing Name: K:\micah\autocad\DESIGN WORK\BOB MASON\AWTP Painting Sludge Storage And Drying Bed Piping\DWG\AWTP PAINTING.dwg Layout - OVERFLOW PIPING, Jun 26, 2008 - 12:32pm



SEE DETAIL A,
SHEET 19
SEE EXHIBIT #7

PLAN AT EL 21'-0"
NOT TO SCALE

NOTE: CONTRACTOR MUST FIELD VERIFY ALL PIPING DIMENSIONS

User: ss8k Drawing Name: K:\micah\autocad\DESIGN WORK\BOB MASON\AWTP Painting Sludge Storage And Drying Bed Piping\DWG\AWTP PAINTING.dwg
Layout - EAST VALVE, Jun 26, 2008 - 12:32pm

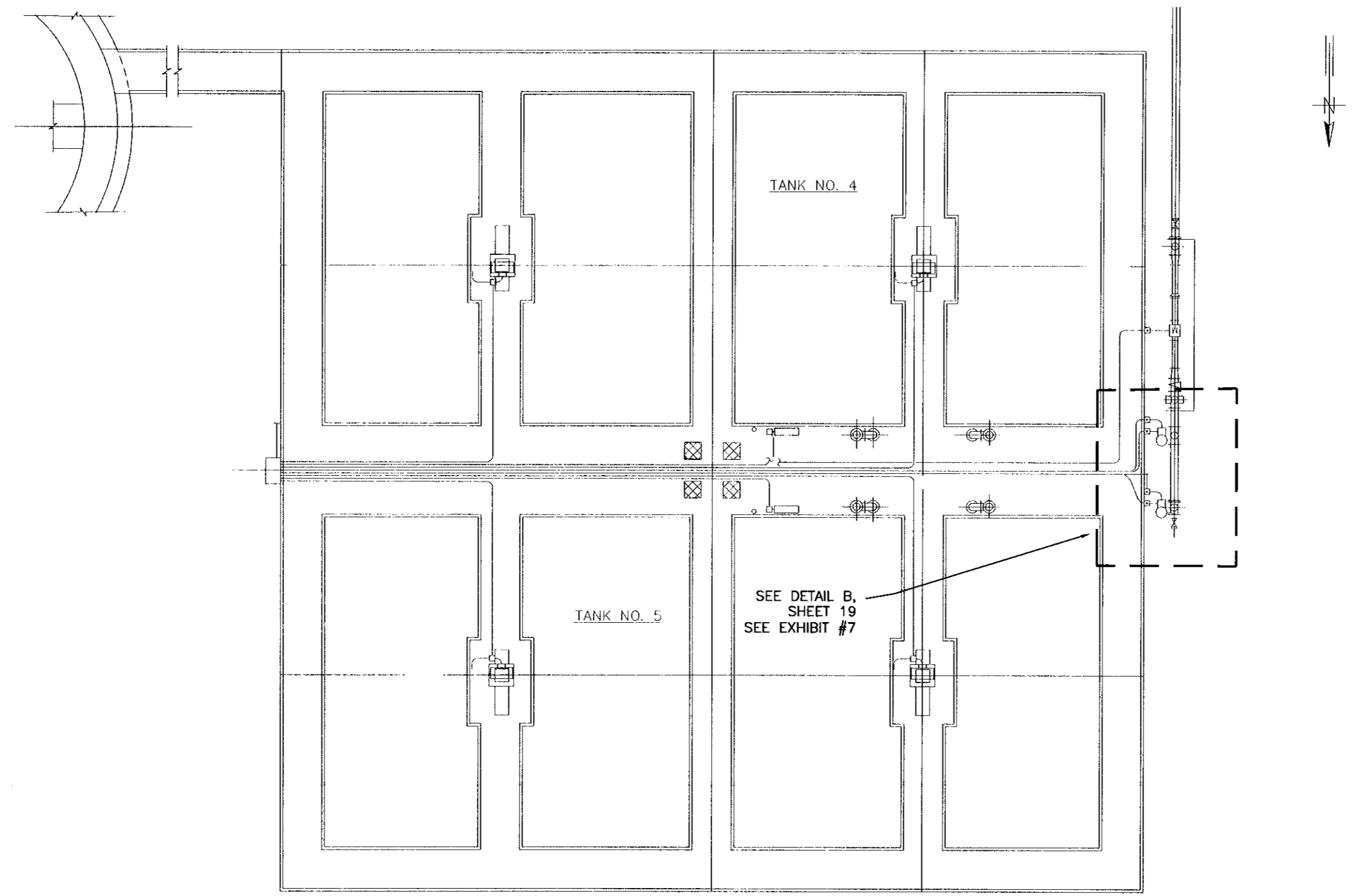
No.	DATE	REVISIONS
3		
2		
1		

DES: SK
DRN: MRL
CKD: JF
DATE: 6/27/08

CITY of TAMPA
WASTEWATER DEPARTMENT

**HFC AWTP EXTERIOR PROTECTIVE
COATING APPLICATION
SLUDGE STORAGE TANKS 4 & 5
WEST PIPING VALVE ACTUATOR LOCATIONS**

W.O. 8113
SHEET
17
OF 19



SLUDGE STORAGE TANKS 4 & 5
PLAN VIEW
 NOT TO SCALE

NOTE: CONTRACTOR MUST FIELD VERIFY ALL PIPING DIMENSIONS

User: ss8k Drawing Name: K:\micah\autocad\DESIGN WORK\BOB MASON\AWTP Painting Sludge Storage And Drying Bed Piping\DWG\AWTP PAINTING.dwg
 Layout - WEST VALVE, Jun 26, 2008 - 12:32pm

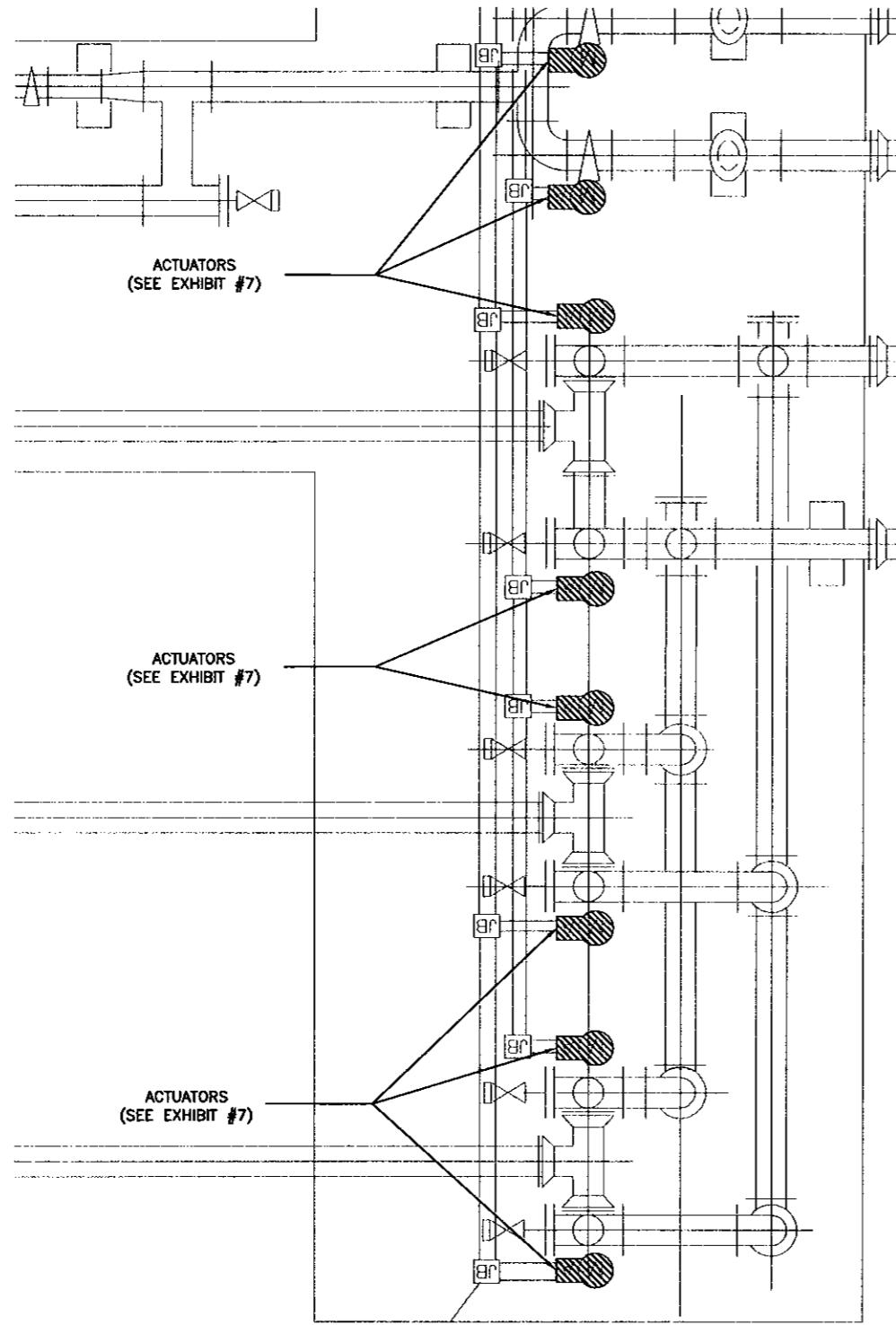
No.	DATE	REVISIONS
3		
2		
1		

DES: SK
 DRN: MRL
 CKD: JF
 DATE: 6/27/08

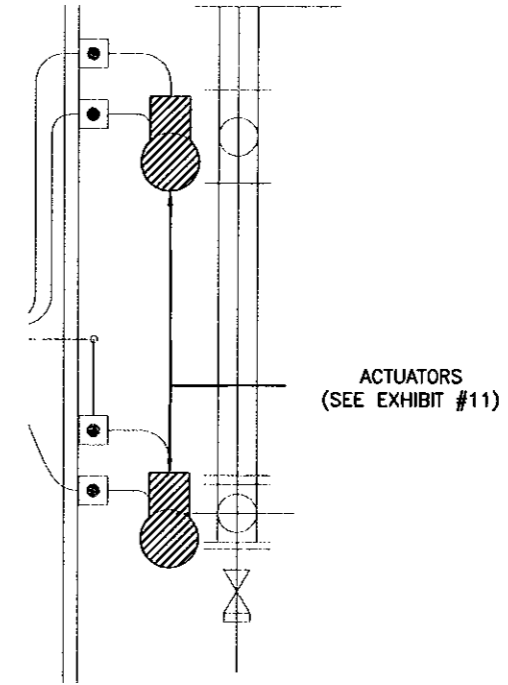
CITY of TAMPA
WASTEWATER DEPARTMENT

**HFC AWTP EXTERIOR PROTECTIVE
 COATING APPLICATION**
SLUDGE STORAGE TANKS 4 & 5
WEST PIPING VALVE ACTUATOR LOCATIONS

W.O. 8113
 SHEET
18
 OF 19



DETAIL "A"
NOT TO SCALE



DETAIL "B"
NOT TO SCALE

NOTE: CONTRACTOR MUST FIELD VERIFY ALL PIPING DIMENSIONS

User: ssbk Drawing Name: K:\micah\autocad\DESIGN WORK\BOB MASON\AWTP Painting Sludge Storage And Drying Bed Piping\DWG\AWTP PAINTING.dwg
Layout - ACTUATOR DETAILS, Jun 26, 2008 - 12:32pm

No.	DATE	REVISIONS
3		
2		
1		

DES: SK
DRN: MRL
CKD: JF
DATE: 6/27/08

CITY of TAMPA
WASTEWATER DEPARTMENT

**HFC AWTP EXTERIOR PROTECTIVE
COATING APPLICATION
ACTUATOR DETAILS**

W.O. 8113
SHEET
19
OF 19