



# CITY OF TAMPA

Pam Iorio, Mayor

CONTRACT ADMINISTRATION DEPARTMENT

David L. Vaughn, AIA, Director

## ADDENDUM NO. 2

DATE: June 16, 2007

Contract 7-C-51: Sierra Circle Stormwater Pipe Relocation, Phase 1

Bidders on the above referenced project are hereby notified that the following addendum is made to the Contract Documents. BIDS TO BE SUBMITTED SHALL CONFORM TO THIS NOTICE.

Item 1: Crushed Concrete Base (6" thick) may be substituted for ABC-3 Asphalt Base (4" thick)

Item 2: Delete, on page SP-20, SP-97 Protection of Existing Building, in its entirety

Item 3: Replace plan Sheet 12 of 13 with the attached plan Sheet 12 of 13

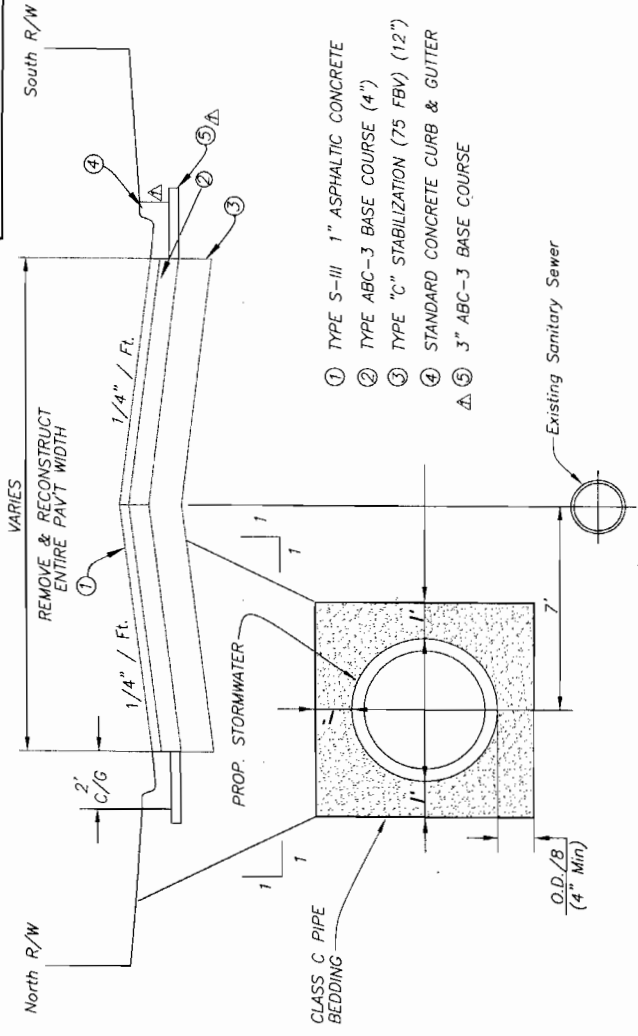
This addendum shall be included in and attached to the inside cover of the Contract Documents by and upon which bids are submitted.

All other provisions of the Contract Documents and Specifications not in conflict with this Addendum shall remain in full force and effect.

Questions may be directed to Jim Greiner, P.E.; Telephone (813) 274-8598, fax (813) 274-8080, or e-mail [Jim.Greiner@tampagov.net](mailto:Jim.Greiner@tampagov.net).

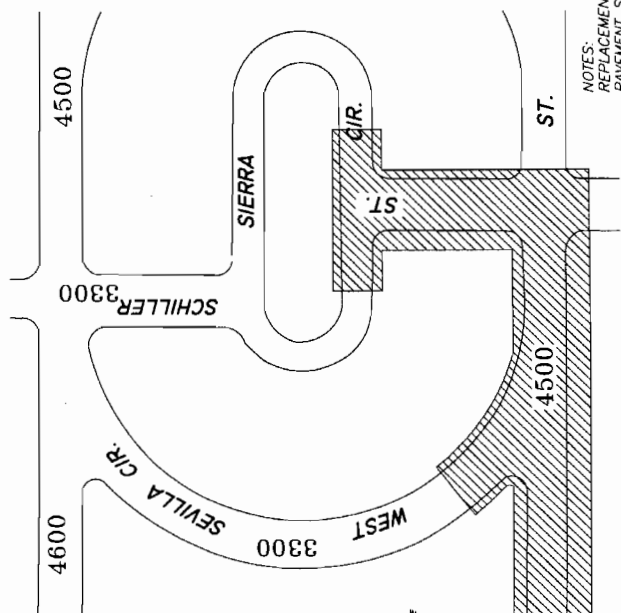
Jim Greiner, P.E., Contract Manager  
Contract Administration Department

SW



- ① TYPE S-III 1" ASPHALTIC CONCRETE
- ② TYPE ABC-3 BASE COURSE (4")
- ③ TYPE "C" STABILIZATION (75 FBV) (12")
- ④ STANDARD CONCRETE CURB & GUTTER
- ⑤ 3" ABC-3 BASE COURSE

PAVEMENT RESTORATION DETAILS  
Not To Scale



NOTES:  
REPLACEMENT OF CURB & GUTTER, AND FULL WIDTH PAVEMENT SHALL BEGIN AT STA. 8+50 AND END AT STA. 15+40 ON BASELINE "A", AND 82± NW ON WEST SEVILLA CIR, AND FROM STA. 10+40 TO STA. 13+65 THEN 65' TO THE WEST AND 85' TO THE EAST OF BASELINE "B".

FULL WIDTH PAVEMENT & CURB AND GUTTER REPLACEMENT  
N.T.S.

DES: AD	REVISONS	REVISIONS	DATE	NO.	DATE
DRN: MD				6	
CKD: RPK				5	
DATE: 6/10				4	

City of TAMPA  
STORMWATER DEPARTMENT

SIERRA CIRCLE PIPE RELOCATION PHASE I  
MISCELLANEOUS DETAILS

W.O. 5577  
SHEET  
12  
of 13