



CITY OF TAMPA

Bob Buckhorn, Mayor

CONTRACT ADMINISTRATION DEPARTMENT

David L. Vaughn, AIA, Director

ADDENDUM NO. 3

DATE: April 8, 2015

Contract 14-C-00058; Lake Magdalene Pumping Station Rehabilitation – Sheltered Market

Bidders on the above referenced project are hereby notified that the following addendum is made to the Contract Documents. BIDS TO BE SUBMITTED SHALL CONFORM TO THIS NOTICE.

- Item 1: Replace Sheet Nos. 3, 5,9,10 and 13 with the attached revised Sheet Nos. 3, 5, 9, 10 and 13.
- Item 2: Add the attached Sheet No. 8A.

All other provisions of the Contract Documents and Specifications not in conflict with this Addendum shall remain in full force and effect. Questions are to be e-mailed to ContractAdministration@tampagov.net.

Jim Greiner

Jim Greiner, P.E., Contract Management Supervisor

User: ss13 Drawing Name: K:\WW_Projects\2014\2014_5081_Lake_Magdalena_PS_Rehabilitation\DWG\LAKE_MAGDALENE_PS_REHABILITATION.dwg Layout: Apr 07, 2015 - 8:05am

DEMOLITION NOTES

- D-1. SALVAGEABLE MATERIAL, AS DETERMINED BY DEPARTMENT PERSONNEL, SHALL BE DELIVERED TO THE PARTS WAREHOUSE LOCATED ON THE TREATMENT PLANT SITE. NON-SALVAGEABLE MATERIALS ARE TO BE REMOVED FROM THE SITE AND PROPERLY DISPOSED OF AT THE CONTRACTORS EXPENSE.
- D-2. THE CONSTRUCTION SITE SHALL BE MAINTAINED IN AS NEAT AND ORDERLY CONDITION AS POSSIBLE DURING CONSTRUCTION OPERATIONS. SITE SHALL BE SECURED WITH TEMPORARY FENCING AND STRUCTURES DURING HOURS WHEN CONTRACTOR IS NOT PRESENT TO ENSURE SAFETY OF CITY EMPLOYEES AND THE PUBLIC.

GENERAL NOTES

- G-1. CONTRACTOR SHALL COORDINATE ALL CONSTRUCTION ACTIVITIES WITH THE WASTEWATER INSPECTOR, WASTEWATER PERSONNEL AND PUMPING STATION OPERATIONS.
- G-2. CONTRACTOR IS RESPONSIBLE FOR OBTAINING ALL NECESSARY RIGHT-OF-WAY PERMITS FOR THE PUMPING STATION WORK.
- G-3. THE CITY WILL OBTAIN ALL NECESSARY BUILDING PERMITS AND FDEP WASTEWATER PERMITS.
- G-4. CONTRACTOR SHALL CALL SUNSHINE (1-800-432-4770) AT LEAST 48 HOURS PRIOR TO ANY CONSTRUCTION ACTIVITY.
- G-5. AFTER WET WELL IS DEWATERED, THE CONTRACTOR SHALL CLEAN WET WELL OF ALL DEBRIS. DEBRIS MAY BE DELIVERED AND DISPOSED OF AT THE CITY OF TAMPA HOWARD F. CURREN AWTP, 2700 MARITIME BOULEVARD
- G-6. TESTING OF THE NEW DISCHARGE PIPES WILL BE ACCOMPLISHED BY OPERATING EACH PUMP FOR A MINIMUM 2 HOUR DURATION AND OBSERVING FOR ANY LEAKS. ANY MANUAL PUMP OPERATION OR SWITCHING PUMPS MUST BE PERFORMED BY CITY PERSONNEL.
- G-7. TWO NEW PUMPS SHALL BE SUPPLIED FOR THIS PROJECT. PROPOSED PUMPS ARE FLYGT PUMPS, MODEL NP3102.185. 5HP PUMPS SHALL BE SUPPLIED WITH FLYGT MIX-FLUSH VALVES. ALL PROPOSED PUMP BASES SHALL BE 4-INCH DIAMETER DISCHARGE ELBOWS.
- G-8. IT IS THE ENGINEERS INTENT THAT CONTINUOUS SERVICE WILL BE MAINTAINED THROUGHOUT THE PROJECT.
- G-9. CONTRACTOR SHALL VERIFY QUANTITIES OF ALL NECESSARY PIPES, REDUCERS, FITTINGS, SUPPORTS, AND ANY MISCELLANEOUS BRACKETS.
- G-10. DIMENSIONS SHOWN ARE NOT NECESSARILY ACCURATE TO THE DEGREE REQUIRED FOR FABRICATION. EXISTING DIMENSIONS AND VIEWS ARE SHOWN BASED ON THE BEST INFORMATION AVAILABLE. CONTRACTOR SHALL FIELD VERIFY ALL PERTINENT DIMENSIONS AND REFLECT THEM ON DETAILED SHOP DRAWINGS FOR APPROVAL BEFORE ANY FABRICATION.
- G-11. SHOP DRAWINGS SHALL BE SUBMITTED AND APPROVED BY THE CITY FOR ALL PROPOSED ITEMS. ALL SUBMITTALS AND SHOP DRAWINGS SHALL BE ORIGINALS OR HIGH QUALITY COPIES (CLEARLY LEGIBLE). NO FAXED SHEETS OR POOR QUALITY COPIES WILL BE ACCEPTED FOR SUBMITTAL REVIEW.
- G-12. PUMP DISCHARGE PIPING IN WET WELL SHALL BE 4-INCH DIAMETER HDPE, SDR-11, GREEN STRIPE, DIPS-OD HDPE JOINTS SHALL BE FLANGED WITH 316 BACK UP RINGS.
- G-13. PLUG VALVES SHALL BE DEZURIK, PEF 100% PORT, ECCENTRIC PLUG VALVES OR APPROVED EQUAL. ALL ABOVE GROUND PLUG VALVES SHALL BE PROVIDED WITH 2" NUTS AND NO HANDWHEELS.
- G-14. CHECK VALVES SHALL BE APCO RUBBER FLAPPER SWING CHECK VALVES, SERIES 100, MODEL 104P3. THIS EQUIPMENT IS A STANDARDIZED ITEM AT THIS FACILITY AND NO "OR EQUAL" SUBMITTALS WILL BE CONSIDERED.
- G-15. ALL HARDWARE, UNLESS OTHERWISE NOTED, SHALL BE TYPE 316 STAINLESS STEEL.
- G-16. PIPE SUPPORTS SHALL BE CONSTRUCTED AS SHOWN IN THE PIPE SUPPORT DETAIL.
- G-17. ALL CEMENTITIOUS CONCRETE AND GROUT, UNLESS OTHERWISE NOTED, SHALL BE CLASS "B", 4000 PSI COMPRESSIVE STRENGTH AT 28 DAYS. ALL REINFORCING STEEL SHALL BE GRADE 60.
- G-18. OSHA STANDARD SAFETY EQUIPMENT SUCH AS SAFETY HARNESSSES, GAS MONITORS, LOWER EXPLOSIVE LIMIT (LEL) DETECTORS, BREATHING APPARATUS, ETC. SHALL BE UTILIZED WHERE THE WORK DICTATES THEIR USE.

- G-19. BACKFILL (NO CLAY OR CLAYEY MATERIAL) SHALL BE COMPACTED IN 6-INCH LAYERS (MAX.) TO 98% MAXIMUM DRY DENSITY OF MODIFIED PROCTOR IN CONFORMANCE WITH AASHTO T-180, METHOD A.
- G-20. ALL STAINLESS STEEL PARTS TO BE WELDED SHALL BE THE LOW-CARBON VERSION OF THE GRADE OF STAINLESS STEEL THAT IS CALLED FOR, SUCH AS: T-316L OR T-304L.
- G-22. ALL CONCRETE PAVEMENT, UNLESS OTHERWISE NOTED, SHALL BE MIN 6" THICK CONCRETE WITH 4X4 W6 x W6 WWF. CONCRETE SHALL BE CONSTRUCTED ON COMPACTED SUBBASE (MINIMUM 98% MODIFIED PROCTOR) WITH 1.5" DEEP CONTROL JOINTS SAWCUT @ 15' MAX, CUT WITHIN 12 HRS OF CONCRETE PLACEMENT.
- G-23. CONTRACTOR TO SUBMIT METHOD FOR 100% WATERTIGHT SEALING AT PIPE PENETRATIONS THROUGH STRUCTURES. PROPOSED LINK SEAL OR APPROVED EQUAL.
- G-24. CONTRACTOR SHALL PROVIDE A REDUCED PRESSURE BACKFLOW-PREVENTION DEVICE IN WATER SERVICE LINE, AS SHOWN IN DETAILS, AT A PLACE TO BE SPECIFIED DURING CONSTRUCTION. BACKFLOW PREVENTION DEVICE SHALL BE 1" WILKINS, MODEL #975 XL, OR EQUAL.
- G-25. ALL DIP PIPE AND FITTING SHALL BE CLASS 53 WITH PROTECTO 401 INTERIOR COATING.
- G-26. EXISTING WET WELL HAS REMNANTS OF COAL TAR EPOXY WHICH WILL NEED TO BE REMOVED PRIOR TO LINING.
- G-27. ALL METAL PIPE, FITTINGS, VALVES, ETC. SHALL RECIEVE:
 - 1) SHOP COAT - ONE COAT, 4-6 MILS (DRY) TNEMEC N140-1211 EPOXY PRIMER.
 - 2) FIELD COAT - ONE COAT, 5-7 MILS (DRY) TNEMEC SERIES 446 PERMA-SHIELD MCU
 - 3) FIELD COAT
 - A) ABOVE GRADE : ONE COAT, 4-6 MILS (DRY) TNEMEC 1074U ENDURASHIELD (WITH FACTORY ADDED UV BLOCKER)
 - B) BELOW GRADE : ONE COAT, 5-7 MILS (DRY) TNEMEC SERIES 446 PERMA-SHIELD MCU

JACINTO CARLOS FERRAS, P.E., #49454 DESIGN DIVISION HEAD WASTEWATER DEPARTMENT	No.	DATE	REVISIONS	DES: MS/LG DRN: JHJ CKD: JF DATE: 2/3/15	CITY of TAMPA WASTEWATER DEPARTMENT	LAKE MAGDALENE PUMPING STATION REHABILITATION GENERAL NOTES	W.O. 5981 SHEET 3
	3						
	2						
	1	4/6/15		MISC. ADDENDUM REVISIONS			

User: ss13 Drawing Name: I:\WW_Projects\2014\2014_5081_Lake Magdalene PS Rehabilitation\DWG\OLD C3D Version\AMENDED LAKE MAGDALENE PS SURVEY PROPOSED SITE PLAN.dwg Layout: Mar 26, 2015 - 3:24pm

PROP 1" PVC W/ HOSE BIB AT CONTROL PANEL

PROP. EL 55.00

BM EL 55.24

PP EL 55.24

PROP. 6" CONCRETE DRIVEWAY TO CONNECT TO EXISTING APRON (SLOPE DRIVEWAY TO DRAIN TO STREET)

PROP. 4' x 2' SLAB & BACK FLOW PREVENTOR. SEE NOTE 30 ON SHT. 3 & DETAIL ON SHT. 14.

PROP. EL 54.00

MODIFY EXISTING FENCE & GATE TO ALLOW FOR PROPOSED CONCRETE DRIVEWAY, RELOCATE GATE 30' FROM SIDEWALK

WM EL 53.73

PROP. EL 53.75

NOTE:
6" THICK CONC. SLAB SHALL BE REINFORCED W/4 x 4 W2.1 x W2.1 WWF.

Ex. El. 53.35

Ex. El. 53.20

Ex. Driveway Apron

PROPOSED SITE PLAN

SCALE: 1" = 10'

FLETCHER

AVE.

REMOVE EXISTING CHAIN LINK FENCE @ PROPERTY LINE & INSTALL 6' PVC FENCE, MATCH EXISTING FENCE

Ex 8" San C.I.P.

REMOVE EXISTING 4' WOOD FENCE

PROP TOP SLAB W/ NEW ACCESS HATCH (SEE DETAIL, SHT 8A)

Ex. PP EL 54.50

Ex. PP EL 54.50

Ex. 6' Wet Well

REMOVE EXISTING 6' PVC FENCE. UTILIZE FENCE FOR PROPOSED 6' PVC ALONG THE EAST PROPERTY LINE.

Ex. 4'x 4' Valve Vault

CM EL 53.94

Ex. 4" San FM

14" Tree

36" Tree

CM EL 53.21

PROP. R/W

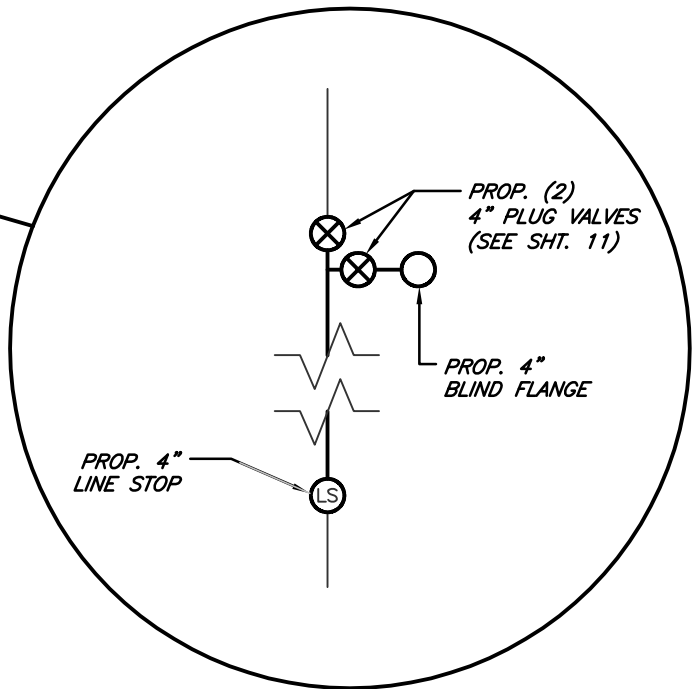
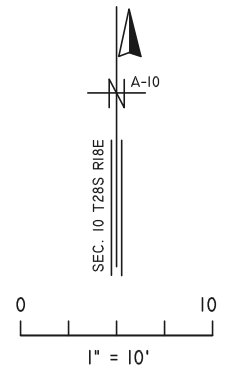
Ex. 4" CIP FM

PROP. EL 53.25

SW

Curb

EOP



BYPASS ASSEMBLY DETAIL

N.T.S.

JACINTO CARLOS FERRAS, P.E., #49454
DESIGN DIVISION HEAD
WASTEWATER DEPARTMENT

No.	DATE	REVISIONS
3		
2		
△	4/6/15	MISC. ADDENDUM REVISIONS

DES: MS/LG
DRN: JHJ
CKD: JF
DATE: 2/3/15

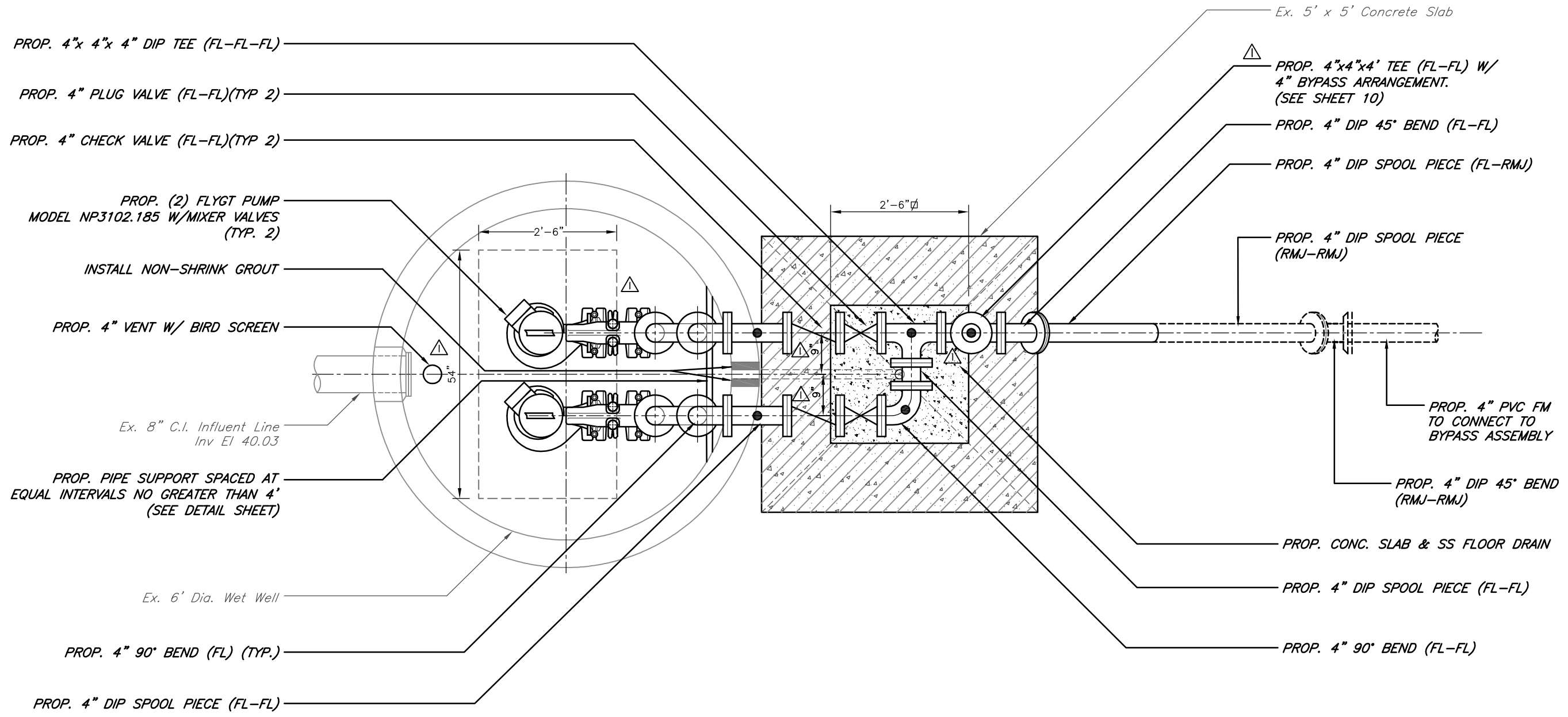
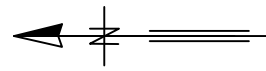
CITY of TAMPA
WASTEWATER DEPARTMENT

LAKE MAGDALENE PUMPING STATION REHABILITATION
PROPOSED SITE PLAN

W.O. 5981

SHEET

5



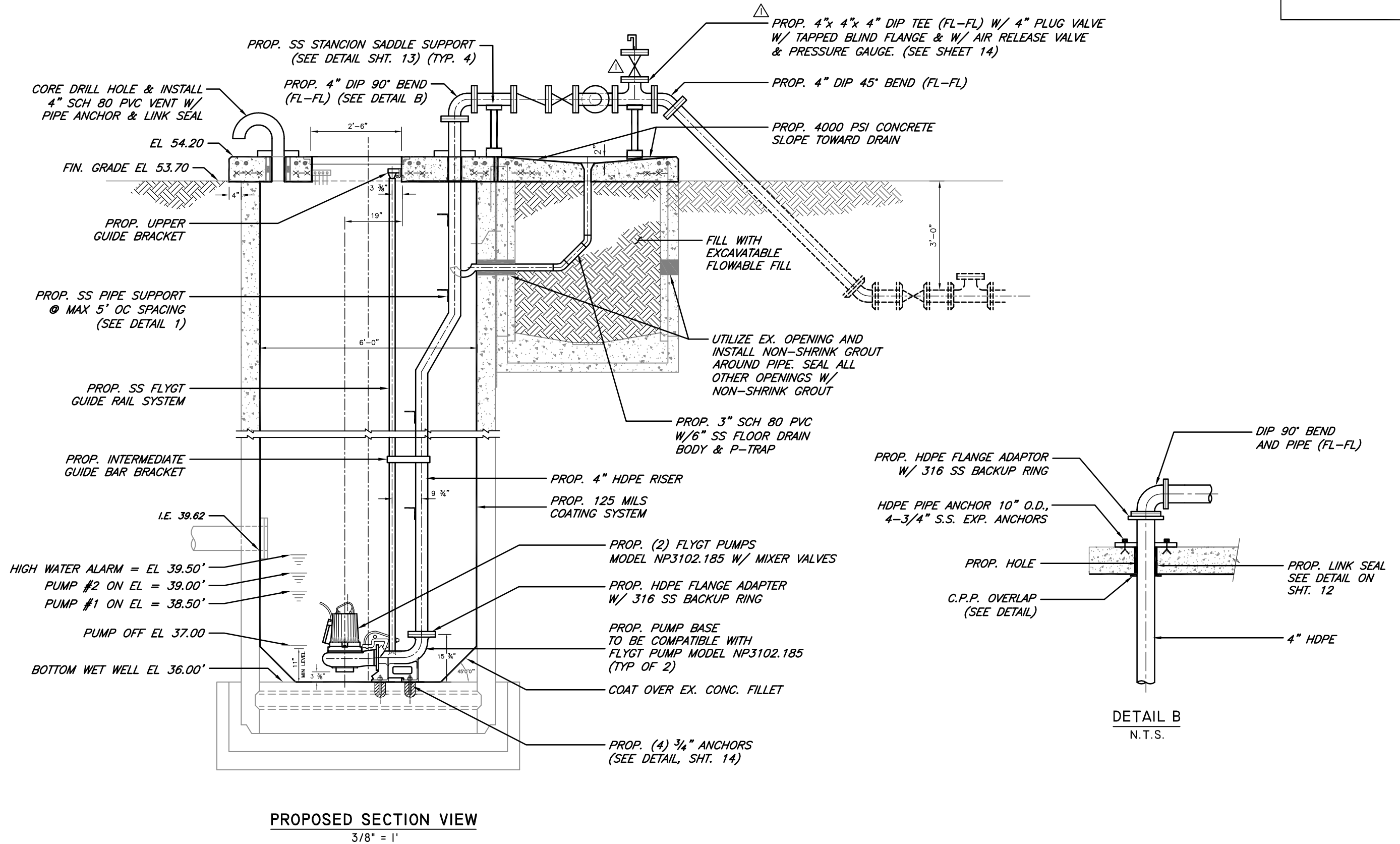
PROPOSED PLAN
SCALE: 1/2" = 1'-0"

● PROP. SS PIPE SUPPORT

User: ss13 Drawing Name: K:\WW\Projects\2014\2014_5981_Lake Magdalene PS Rehabilitation\DWG\LAKE MAGDALENE PS REHABILITATION.dwg Apr 07, 2015 - 8:05am Layout-

JACINTO CARLOS FERRAS, P.E., #49454 DESIGN DIVISION HEAD WASTEWATER DEPARTMENT	No.	DATE	REVISIONS	DES: MS/LG DRN: JHJ CKD: JF DATE: 2/3/15	CITY of TAMPA WASTEWATER DEPARTMENT	LAKE MAGDALENE PUMPING STATION REHABILITATION PROPOSED PLAN	W.O. 5981
	3						SHEET
	2						9
	△	4/6/15	MISC. ADDENDUM REVISIONS				

User: ss13 Drawing Name: K:\WWL\Projects\2014\2014_5981_Lake Magdalene PS Rehabilitation\DWG\Lake Magdalene PS Rehabilitation.dwg Layout: Apr 07, 2015 - 8:05am



PROPOSED SECTION VIEW

3/8" = 1'

DETAIL B
N.T.S.

JACINTO CARLOS FERRAS, P.E., #49454
DESIGN DIVISION HEAD
WASTEWATER DEPARTMENT

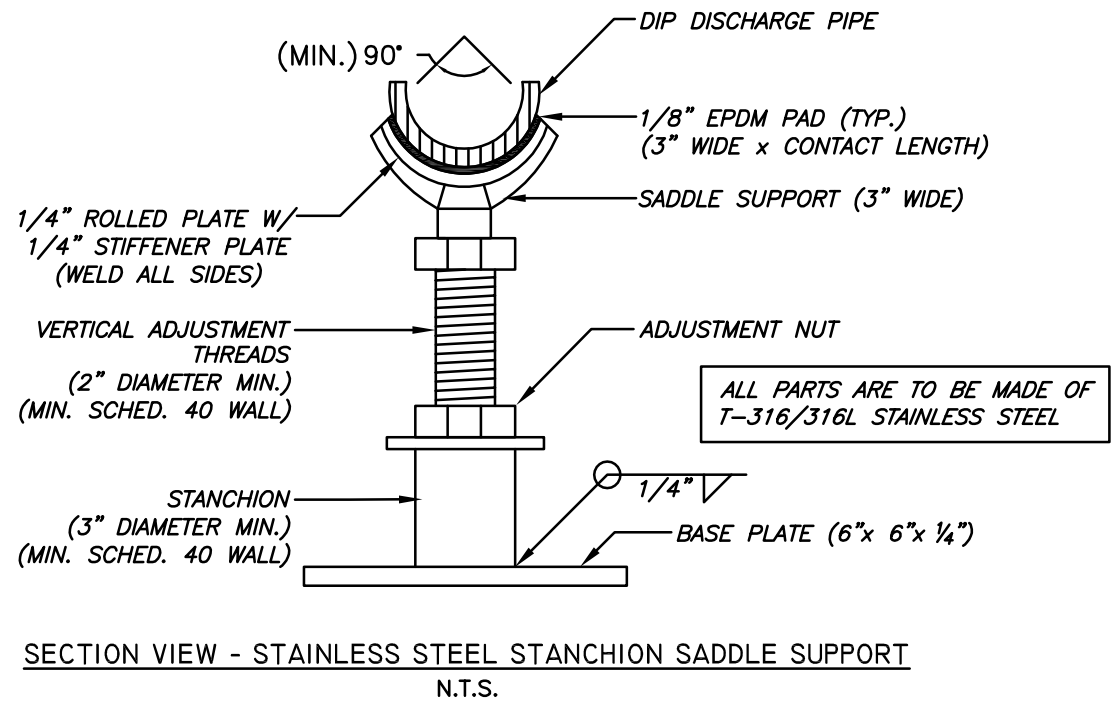
No.	DATE	REVISIONS
3		
2		
▲	4/6/15	MISC. ADDENDUM REVISIONS

DES: MS
DRN: JHJ
CKD: JF
DATE: 2/3/15

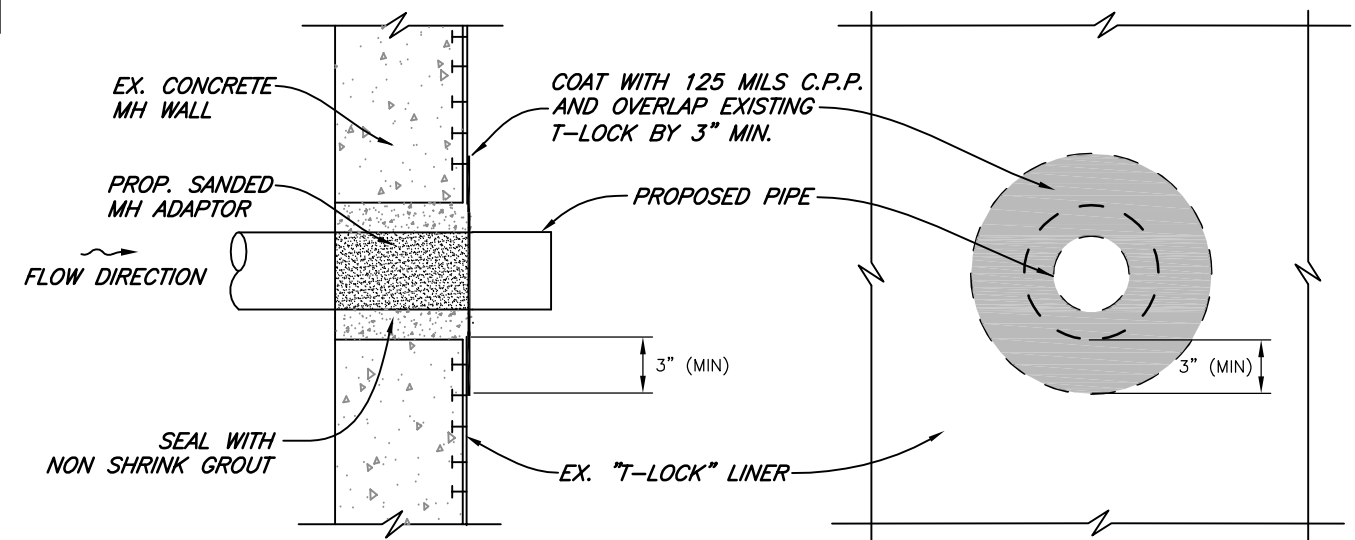
CITY of TAMPA
WASTEWATER DEPARTMENT

LAKE MAGDALENE PUMPING STATION REHABILITATION
PROPOSED SECTION VIEW

W.O. 5981
SHEET
10

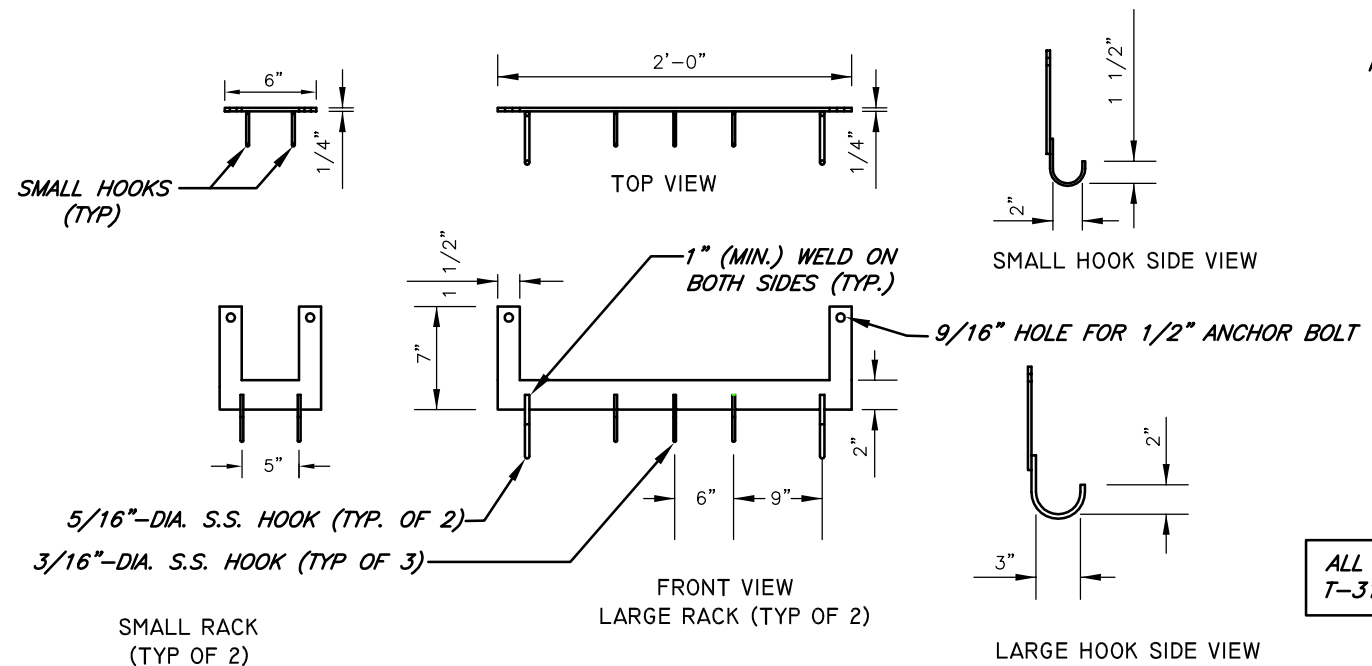


SECTION VIEW - STAINLESS STEEL STANCHION SADDLE SUPPORT
N.T.S.



NOTE: CONTRACTOR SHALL UTILIZE CONCRETE POLYMER COATING (CPP). TROWEL EPOXY FOR ALL AS MANUFACTURED BY EPOXYTEC OR EQUAL. ALTERNATE PRODUCT SHALL MEET THE PUBLISH PHYSICAL PROPERTIES FOR THE SPECIFIED ITEM.

△ PIPE TO LINED STRUCTURE
N.T.S.



DETAIL "E" PROP. STAINLESS STEEL HOOK RACKS
N.T.S.

ALL PARTS ARE TO BE MADE OF
T-316/316L STAINLESS STEEL

NOTE: INSTALL FLOATS IN A MANNER TO
MAINTAIN PROPER OPERATIONAL CLEARANCE.

User: ss13 Drawing Name: K:\MWL Projects\2014\2014_5981_Lake Magdalene PS Rehabilitation\DWG\Lake Magdalene PS Rehabilitation.dwg Layout: Apr 07, 2015 - 8:05am

JACINTO CARLOS FERRAS, P.E., #49454
DESIGN DIVISION HEAD
WASTEWATER DEPARTMENT

No.	DATE	REVISIONS
3		
2		
△	4/6/15	MISC. ADDENDUM REVISIONS - ADDED DETAIL

DES: MS
DRN: JHJ
CKD: JF
DATE: 2/3/15

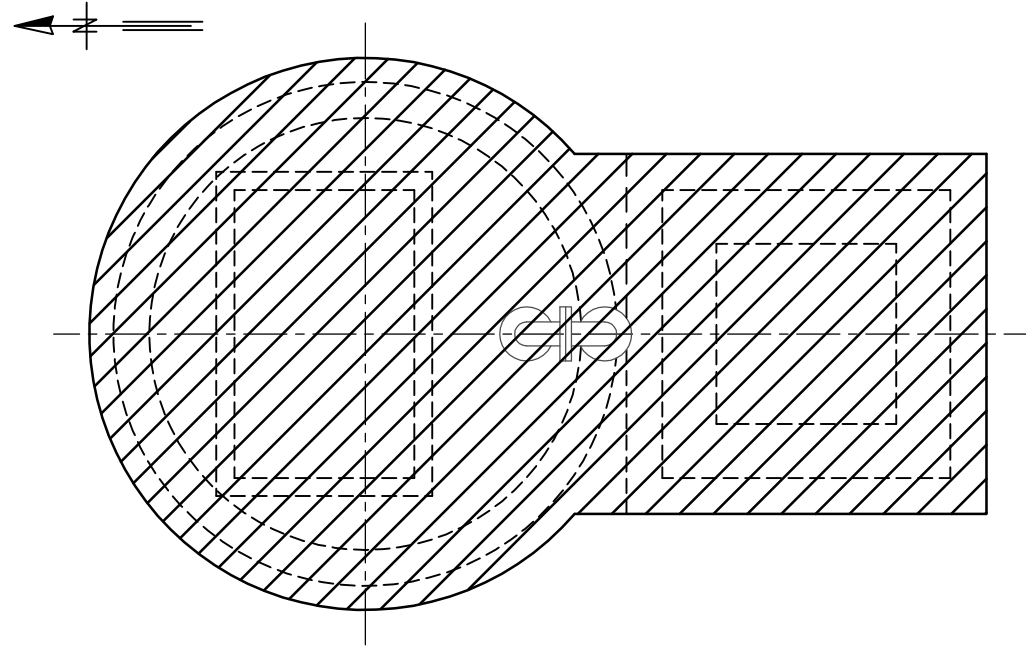
CITY of TAMPA
WASTEWATER DEPARTMENT

LAKE MAGDELENE PUMPING STATION REPLACEMENT
PIPE SUPPORT AND HOOK RACK DETAILS

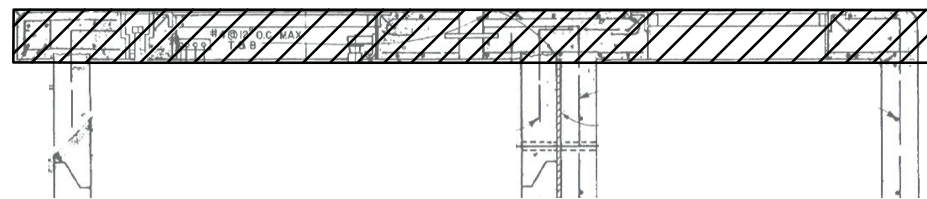
W.O. 5981
SHEET
13

NOTE: ALUMINUM ACCESS COVERS SHALL BE DESIGNED FOR A PEDESTRIAN LIVE LOADING OF 150 PSF WITH 316 STAINLESS STEEL HARDWARE, HINGES AND AUTOMATIC HOLD-OPEN ARM AS MANUFACTURED BY US FOUNDRY AND MANUFACTURING CORPORATION OR APPROVED EQUAL. THE PUMP ACCESS COVER SHALL BE A SINGLE DOOR ARRANGEMENT WITH AN ANGLE FRAME FOR AN OVERALL OPENING OF 54"x 30". THE ACCESS DOORS SHALL ALSO BE EQUIPPED WITH A FLUSH LIFTING HANDLE, TAMPERPROOF FASTENERS AND EXPOSED PADLOCK STAPLES.

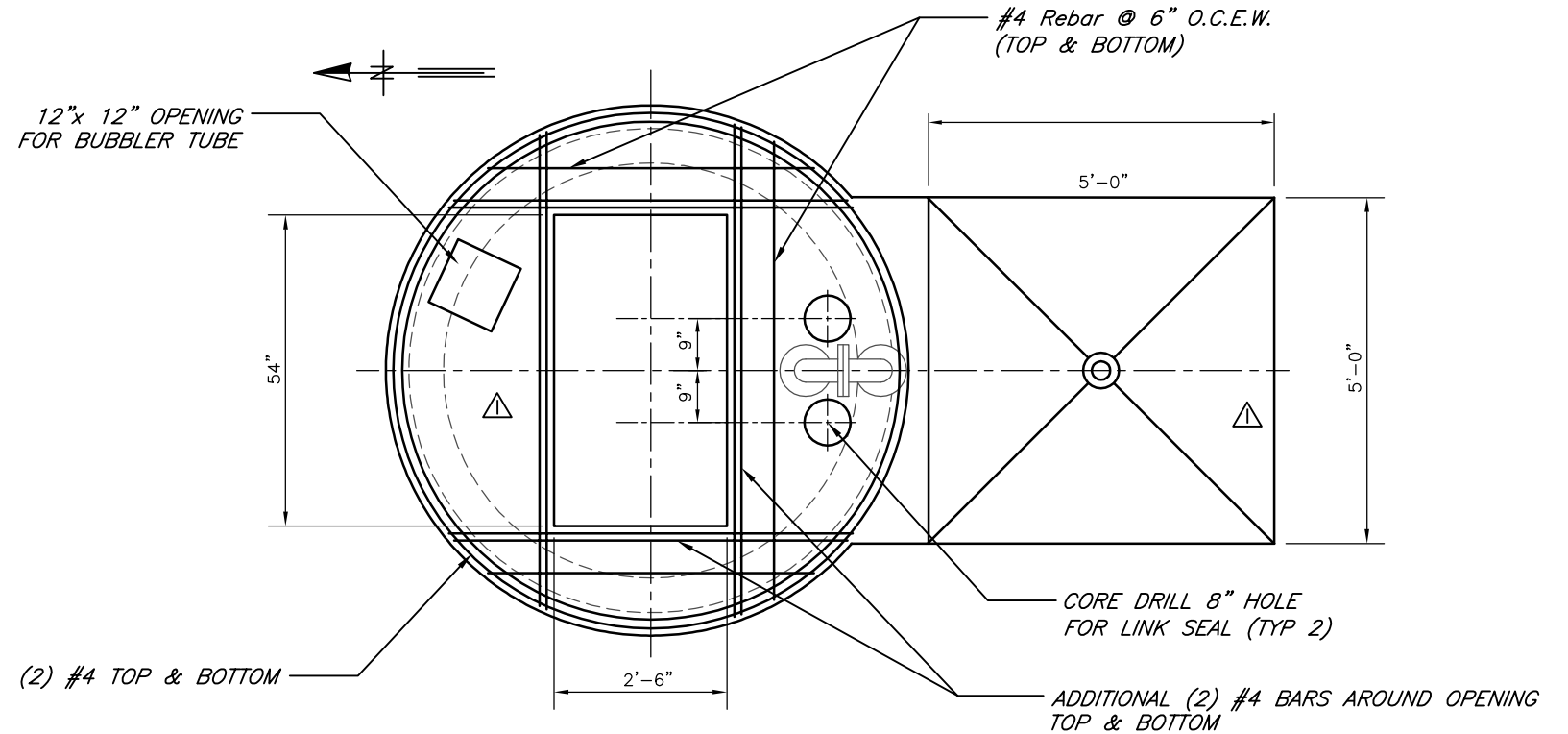
THE ACCESS COVER SHALL CLOSE FLUSH WITH THE FRAME. ALL ALUMINUM SURFACES THAT CONTACT CONCRETE SHALL BE COATED WITH TWO COATS OF COAL TAR EPOXY OR BITUMINOUS COATING OR EQUAL. THE CONTRACTOR SHALL SUBMIT SHOP DRAWINGS DETAILING THE INSTALLATION AND CONFIGURATION OF THE ACCESS COVERS.



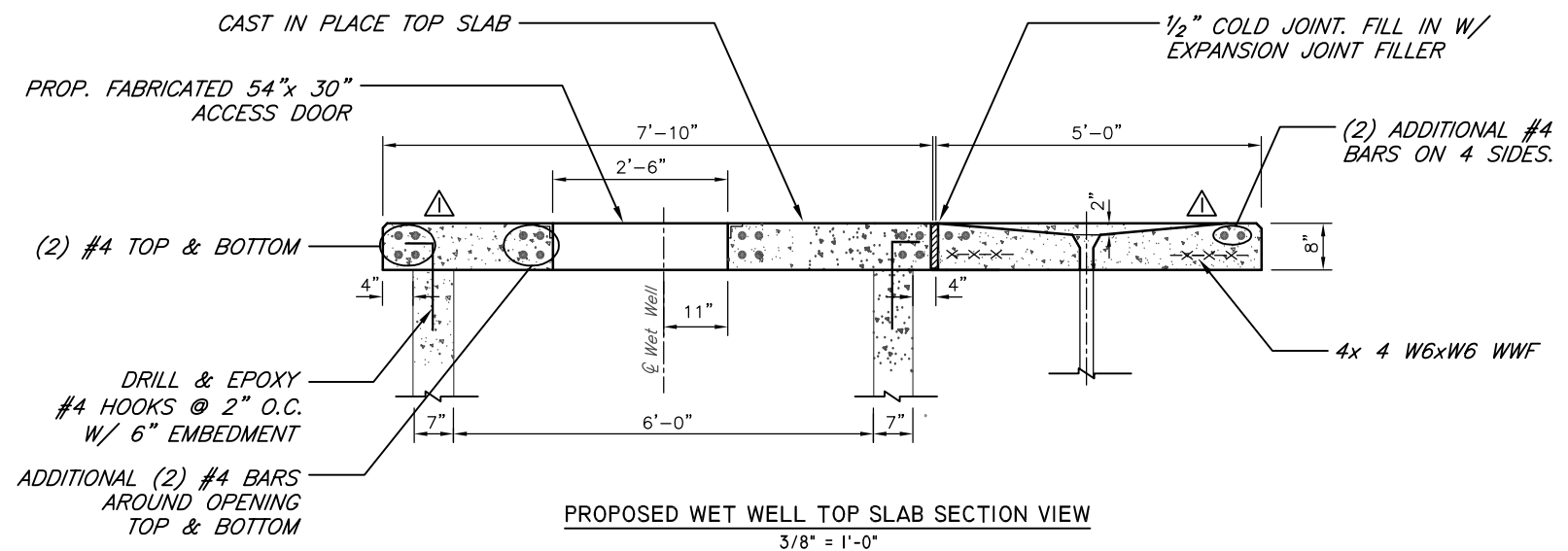
 **SAW CUT AND REMOVE TOP SLAB PLAN**
3/8" = 1'-0"



 **SAW CUT AND REMOVE TOP SLAB SECTION VIEW**
3/8" = 1'-0"



PROPOSED WET WELL TOP SLAB PLAN
3/8" = 1'-0"



PROPOSED WET WELL TOP SLAB SECTION VIEW
3/8" = 1'-0"

User: ss13 Drawing Name: K:\WW_Projects\2014_5981_Lake Magdalene PS Rehabilitation\DWG\LAKE MAGDALENE PS REHABILITATION.dwg Layout: Apr 07, 2015 - 8:05am

JACINTO CARLOS FERRAS, P.E., #49454 DESIGN DIVISION HEAD WASTEWATER DEPARTMENT	No.	DATE	REVISIONS	DES: MS/LG DRN: JHJ CKD: JF DATE: 3/24/15	CITY of TAMPA WASTEWATER DEPARTMENT	LAKE MAGDELENE PUMPING STATION REPLACEMENT DEMOLITION TOP SLAB	W.O. 5981
	3						SHEET
	2						8A
	▲	4/6/15	MISC. ADDENDUM REVISIONS (NEW SHT.)				