



CITY OF TAMPA

Bob Buckhorn, Mayor

Contract Administration Department

Michael W. Chucran, Director

ADDENDUM 4

September 11, 2018

Contract 15-C-00044; Louisiana Pump Station Rehabilitation

Bidders on the above referenced project are hereby notified that the following addendum is made to the Contract Documents. BIDS TO BE SUBMITTED SHALL CONFORM TO THIS NOTICE.

Item 1: The Bid Date for the above referenced project is hereby changed to October 2, 2018.

Item 2: Architectural Specification Section 08 90 00 Louvers and Vents, Part 2.02, A., 1., a., Revise sentence to read "EHH-501X wind-driven rain louver as manufactured....."

Item 3: General Plan Sheet G-3, under Electrical Note; add the following as Note 2: "Contractor is responsible for filling the generator subbase tank with fuel and then refilling it after the load bank test is complete."

Item 4: Replace Architectural Sheets A-17 and A-18 with the attached revised sheets.

Item 5: Specific Provision SP-21 Bypass Pumping: Replace last two (2) sentences of the 15th paragraph as follows:

Delete:

"The Contractor shall be responsible for obtaining and removing a temporary power drop and meter from TECO and all associated cost with the installation. The contractor shall also be responsible for costs required to supply and maintain power needed to continuously operate the bypass system"

Add:

"Refer to SP-61 in regard to the Temporary Electric Service Connections for the bypass system."

Item 6: Specific Provision SP-21 Bypass Pumping: 19th paragraph, after the last sentence ("...available during a power outage.") add the following sentence:

Automatic Transfer Switch(es) shall be provided to facilitate unattended pumping station operation.

Item 7: Add Specific Provision SP-61 Temporary Electric Service Connections

SP-61 Temporary Electric Service Connections

If electric pumps are used for the bypass system, temporary electric service connections must be provided by Tampa Electric Company (TECO).

The following conditions will apply to the temporary electrical service connections:

1. The City will reimburse the Contractor the cost for the installation of the temporary service connections, provided by TECO, using the contingency funds for the project. Cost of the temporary service connections, provided by TECO, shall not be included in the lump sum bid cost for the project. The amount of reimbursement shall be based on the actual invoice(s) provided by TECO and no additional mark-up will be permitted.
2. The City will only provide reimbursement of TECO costs for a maximum of two temporary electrical service connections and temporary transformers (if TECO determines necessary). It is anticipated that the temporary service provided by TECO will be installed near the existing power poles feeding the pump station. Pole location is shown on Plan Sheet E-5. The cost of extending the temporary power service from this location is the responsibility of the contractor. The cost of any additional temporary service connections shall be the Contractor's responsibility. The use of additional temporary power supplies in lieu of a back-up generator system shall not be permitted.
3. All costs associated with connecting the bypass pumping system's electrical components to the temporary service connections/transformers and the costs of electrical power usage shall be the Contractor's responsibility.
4. The Contractor shall be responsible for coordinating, arranging, and scheduling the installation of the temporary service connections.
5. The Contractor shall submit information on the temporary service connections for review and approval by the City. This information shall not be submitted until the bypass system has been approved.

Temporary service connections shall be sized to (a) operate the bypass pumping system and (b) maintain existing building functions such as ventilation, lighting, crane operation, SCADA hub, etc. to facilitate a safe working environment during the rehabilitation.

Item 8: Add Specific Provision SP-62 Permanent Electrical Service

SP-62 Permanent Electrical Service

The City has made preliminary arrangements with Tampa Electric Company (TECO) and will compensate the utility directly for any Contribution In Aid of Construction (CIAC) required for TECO to provide the permanent electrical service as shown on the Plans. The Contractor shall coordinate

electrical service requirements and responsibilities with TECO prior to performing any electrical demolition or construction work.

Item 9: Specific Provision SP-30 Water and Electric Services: delete the last sentence in Paragraph 2 in its entirety.

Item 10: Electrical Specification Section 25 31 00, Part 1 General add the following after sub-section 1.8

1.9 SYSTEM INTEGRATOR

The Contractor shall employ a qualified system integrator to implement the scope of work specified herein. Qualified system integrators are Rocha Controls (Tampa, FL), Revere Controls (Lakeland, FL), Star Controls (Coral Springs, FL), Curry Controls (Lakeland, FL), Automated Integration (Brandon, FL), CC Control Corp (West Palm Beach, FL), C2I (Smyrna, GA), and CEC Controls (Bradenton, FL). Programming shall follow standard City practices for OIS and PLC development and shall provide full interface with the new and existing equipment as specified herein.

Item 11: Electrical Specification Section 25 31 03, Part 2 Products. Add the following after sub-section 2.01.B:

‘The Switchgear manufacturer shall be allowed to utilize its standard PLC products for the control/status monitoring of the Switchgear system. The manufacturer’s standard throwover system must be modified, as necessary, to operate the Switchgear as specified.’

Item 12: Structural Plan Sheet S1.4, under Steel Checkered/Raised Pattern Floor Plate add the following note as note #4:

‘Steel checkered / raised pattern floor plate in the pump room (reference drawing S2.9) shall be galvanized per ASTM A123. Damaged or worn hot-dip galvanizing and weldments shall be with coated with a cold galvanizing compound such as ZRC® Cold Galvanizing Repair Compound, ZRC 221® Galvanizing Compound or ZRC Galvilite® Galvanizing Repair Compound by Z.R.C. Worldwide, or approved equal. Surface preparation and coating application shall be per manufacturer’s specifications.’

Item 13: Clarification Statement: Electrical Specification 26 29 23 Adjustable Frequency Drives; Part 2, Subsection 2.07:

“A Yaskawa brand AFD with equal performance to the specified P1000 would be acceptable.”

Item 14: Add SP-63 Testing, Bypass System Removal and Final Acceptance of Pumping Station

Contractor will be required to remove all pipe plugs and conduct a minimum 7-day continuous pumping station operational test to insure all components are operating to the satisfaction of the City. All pumps and variable frequency drives shall operate during the test period.

The testing will not commence until all pumping station improvements are substantially completed as determined by the City including, but not limited to, all SCADA communications have been verified, all major punch list items have been addressed and all operational training has been completed. The bypass pumping equipment shall remain in place during the testing period and should automatically turn on in the event the pumping station ceases to operate. If any issues arise during the 7-day test period, the contractor shall expeditiously correct the issue(s) to the satisfaction of the engineer and restart a new 7 day test period.

After testing and successful operation of the new equipment for an uninterrupted 7 days as determined by the City, the contractor may proceed to demobilize the bypass pumping equipment and piping.

Item 15: Replace Page P-2 with the attached Page P-2R.

Item 16: Add the attached Contract Items

Item 17: Specification W-58 Sewage Pumping Equipment, sub-section W-58.14 Electric Motors: add the following as a second sentence: "Pump motor shall be sized for a full diameter impeller."

Item 18: Specification W-108 Vacuum Priming System, Subsection W-108.11: replace entire paragraph with the following:

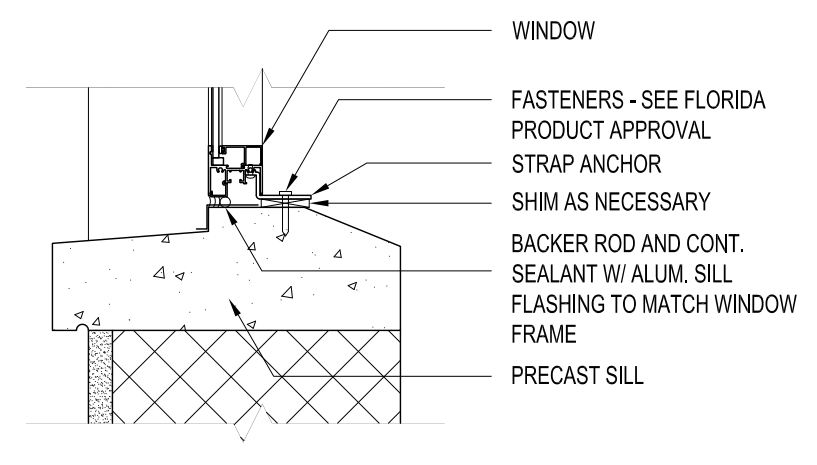
"Complete vacuum system must pass a vacuum test before being accepted by the City. All testing shall be performed by Contractor and witnessed by the Engineer. System, including all vacuum pumps, vacuum piping, valves, water traps, priming valves & appurtenances shall hold a vacuum of 25in Hg with a leakage rate of no more than ½in Hg in 30 minutes."

All other provisions of the Contract Documents and Specifications not in conflict with this Addendum shall remain in full force and effect. Questions are to be e-mailed to Contract Administration@tampagov.net.

Jim Greiner

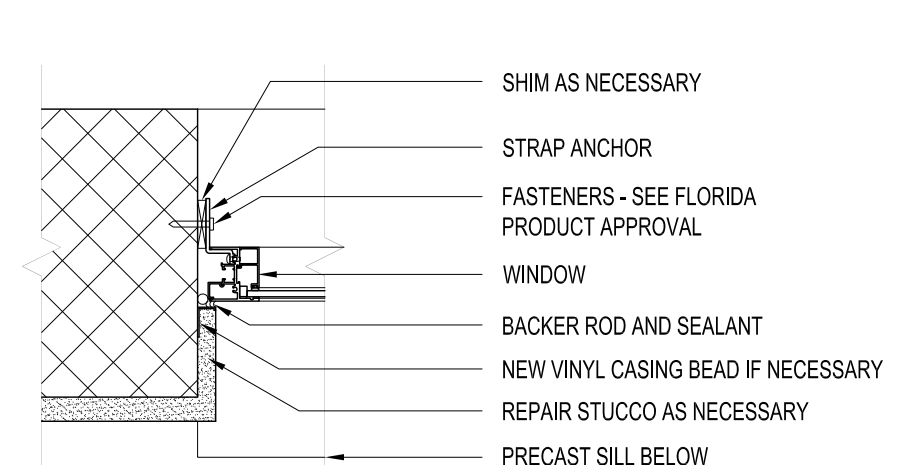
Jim Greiner, P.E. Contract Management Supervisor

User: Jovanny Drawing Name: F:\Projects Data\1505 - City of Tampa Louisiana Pump Station-Redo\DWG\REVISIONS\ARCH\ SHEETS.dwg Layout- Sep 04, 2018 - 4:22pm CTB



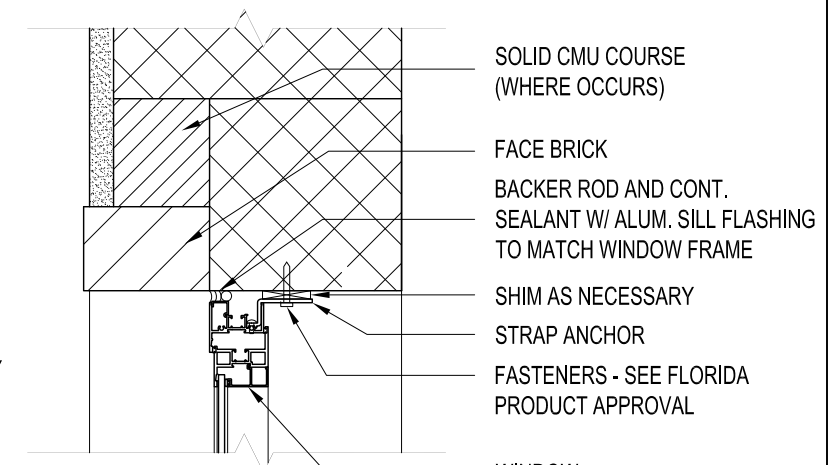
- WINDOW
- FASTENERS - SEE FLORIDA PRODUCT APPROVAL
- STRAP ANCHOR
- SHIM AS NECESSARY
- BACKER ROD AND CONT. SEALANT W/ ALUM. SILL FLASHING TO MATCH WINDOW FRAME
- PRECAST SILL

07 WINDOW SILL DETAIL
1 1/2" = 1'-0"



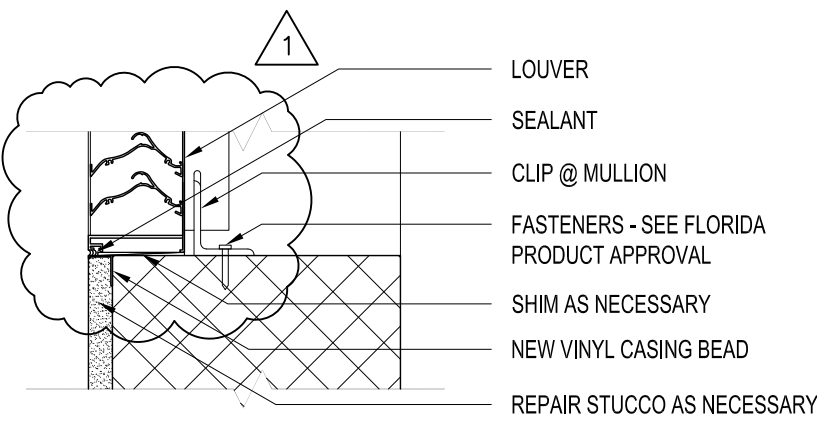
- SHIM AS NECESSARY
- STRAP ANCHOR
- FASTENERS - SEE FLORIDA PRODUCT APPROVAL
- WINDOW
- BACKER ROD AND SEALANT
- NEW VINYL CASING BEAD IF NECESSARY
- REPAIR STUCCO AS NECESSARY
- PRECAST SILL BELOW

08 WINDOW JAMB DETAIL
1 1/2" = 1'-0"



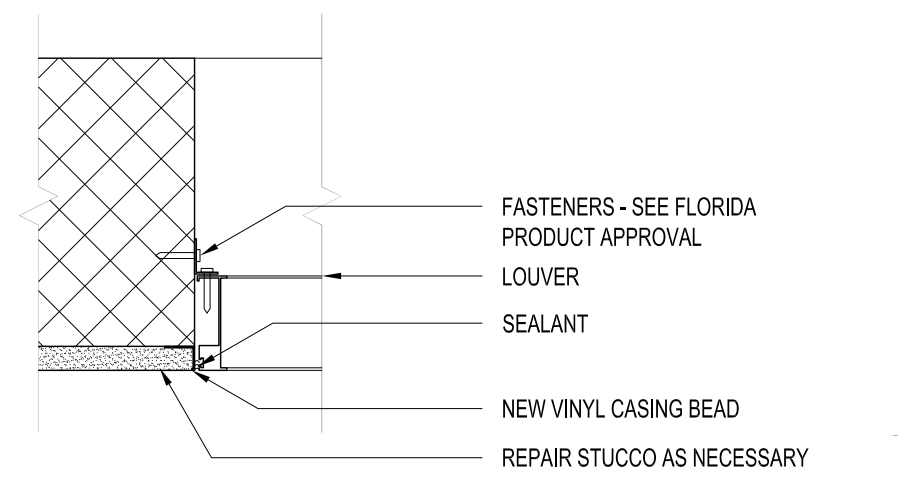
- SOLID CMU COURSE (WHERE OCCURS)
- FACE BRICK
- BACKER ROD AND CONT. SEALANT W/ ALUM. SILL FLASHING TO MATCH WINDOW FRAME
- SHIM AS NECESSARY
- STRAP ANCHOR
- FASTENERS - SEE FLORIDA PRODUCT APPROVAL
- WINDOW

09 WINDOW HEAD DETAIL
1 1/2" = 1'-0"



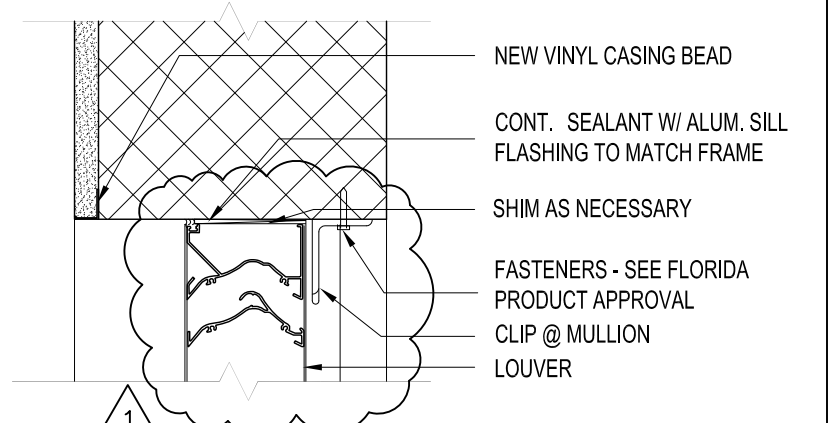
- LOUVER
- SEALANT
- CLIP @ MULLION
- FASTENERS - SEE FLORIDA PRODUCT APPROVAL
- SHIM AS NECESSARY
- NEW VINYL CASING BEAD
- REPAIR STUCCO AS NECESSARY

04 LOUVER SILL DETAIL
1 1/2" = 1'-0"



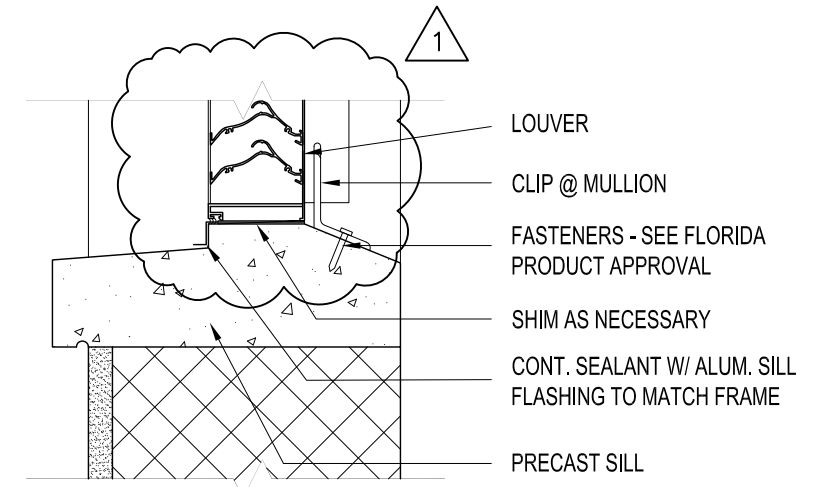
- FASTENERS - SEE FLORIDA PRODUCT APPROVAL
- LOUVER
- SEALANT
- NEW VINYL CASING BEAD
- REPAIR STUCCO AS NECESSARY

05 LOUVER JAMB DETAIL
1 1/2" = 1'-0"



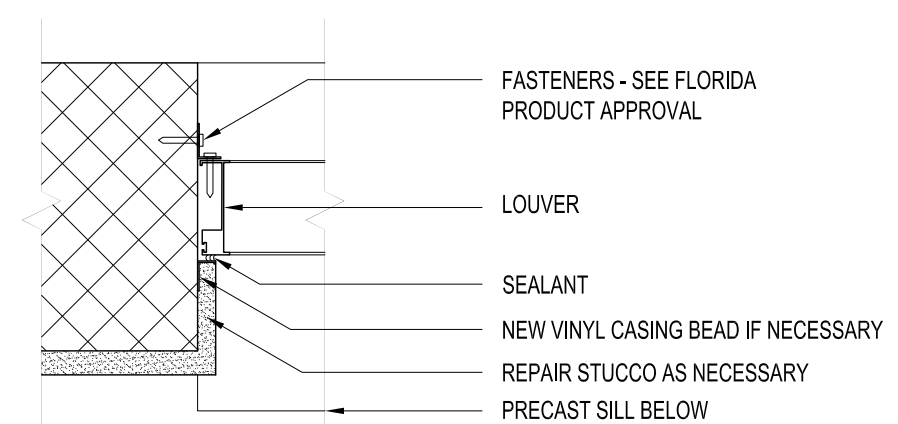
- NEW VINYL CASING BEAD
- CONT. SEALANT W/ ALUM. SILL FLASHING TO MATCH FRAME
- SHIM AS NECESSARY
- FASTENERS - SEE FLORIDA PRODUCT APPROVAL
- CLIP @ MULLION
- LOUVER

06 LOUVER HEAD DETAIL
1 1/2" = 1'-0"



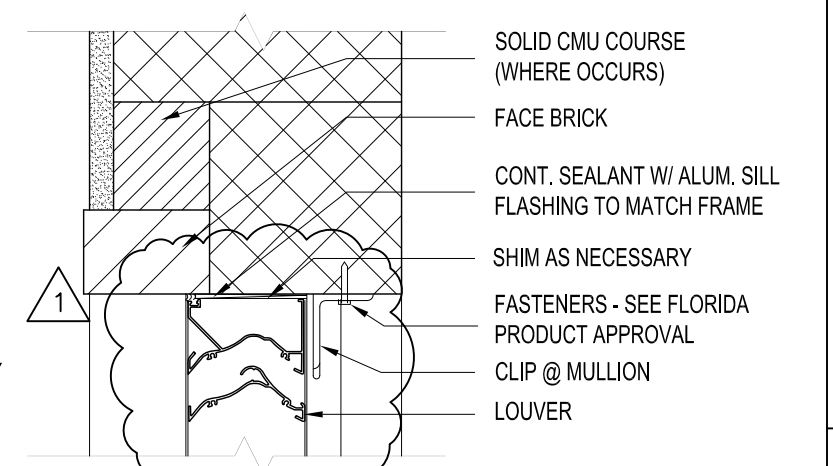
- LOUVER
- CLIP @ MULLION
- FASTENERS - SEE FLORIDA PRODUCT APPROVAL
- SHIM AS NECESSARY
- CONT. SEALANT W/ ALUM. SILL FLASHING TO MATCH FRAME
- PRECAST SILL

01 LOUVER SILL DETAIL
1 1/2" = 1'-0"



- FASTENERS - SEE FLORIDA PRODUCT APPROVAL
- LOUVER
- SEALANT
- NEW VINYL CASING BEAD IF NECESSARY
- REPAIR STUCCO AS NECESSARY
- PRECAST SILL BELOW

02 LOUVER JAMB DETAIL
1 1/2" = 1'-0"



- SOLID CMU COURSE (WHERE OCCURS)
- FACE BRICK
- CONT. SEALANT W/ ALUM. SILL FLASHING TO MATCH FRAME
- SHIM AS NECESSARY
- FASTENERS - SEE FLORIDA PRODUCT APPROVAL
- CLIP @ MULLION
- LOUVER

03 LOUVER HEAD DETAIL
1 1/2" = 1'-0"

**100% SUBMITTAL
NOT FOR CONSTRUCTION**

WOODROFFE CORPORATION ARCHITECTS
1315 E. SEVENTH AVENUE, SUITE 106
TAMPA, FL 33605
813-281-0411
FLORIDA LICENSE NUMBER AA C001379

<p>ENRIQUE A. WOODROFFE, FAIA, LEED FLORIDA LICENSE AR 0007703</p>	No.	DATE	REVISIONS	DES:	<p>CITY of TAMPA WASTEWATER DEPARTMENT</p>	<p>LOUISIANA PUMPING STATION REHABILITATION WINDOW AND LOUVER HEAD, JAMB, SILL DETAILS</p>	SHEET
	3			DRN:			<p>A-18</p>
	2			CKD:			
	1	9/4/2018	ADDENDUM	DATE: 05/25/18			

Item No	Description	Unit	Approx. Quantity	Unit Price in Words	Unit Price	Total Computed Price
100	The work includes the furnishing of all labor, equipment, and material to remove existing pumps, motors and concrete pedestals from pump No.1, No. 2 and No. 3., 24" discharge valves, piping, pump controls, vacuum priming system, compressed air system, potable water system, existing electrical equipment and demolish existing wall and structures; install three (3) 250 HP pumps and motors, discharge and suction valves, piping, 750 KW standby generator, CIPP lining, floor coating, concrete pedestal supports, air compressors, vacuum priming system, new crane, crane trolley and girder, automatic bar screen with compactor, install three (3) 480V variable frequency drives, pump controls, annunciator panel, motor control center, electrical switchgear, conduits, wiring, and other electrical and new HVAC/ventilation system. The work also includes furnishing all labor, materials, and equipment to install a new 24" flow meter and meter vault outside the station and temporary bypass pumping, demolish existing walls, sidewalk, parking lot, roofs and structures, install new electrical room building addition, new flat roofs and clay tile roofs, windows, doors, aluminum fence, new landscaping, and with all associated work required for a	LS	1		\$	\$
200.1	Proposed Structural Coating System	SF	1600		\$	\$
200.2	Concrete Restoration from 0" up to 1" including removal of unsound concrete.	SF	1600		\$	\$
200.3	Concrete Restoration greater than 1" including removal of unsound concrete.	CY	40		\$	\$
500	Contingency (per SP-60)	LS	1	Two Hundred Thousand Dollars and No Cents	\$ 200,000	\$ 200,000
					TOTAL:	\$

CONTRACT ITEM 100 – LUMP SUM

The work includes the furnishing of all labor, equipment, and material to remove existing pumps, motors and concrete pedestals from pump No.1, No. 2 and No. 3., 24" discharge valves, piping, pump controls, vacuum priming system, compressed air system, potable water system, existing electrical equipment and demolish existing wall and structures; install three (3) 250 HP pumps and motors, discharge and suction valves, piping, 750 KW standby generator, CIPP lining, floor coating, concrete pedestal supports, air compressors, vacuum priming system, new crane, crane trolley and girder, automatic bar screen with compactor, install three (3) 480V variable frequency drives, pump controls, annunciator panel, motor control center, electrical switchgear, conduits, wiring, and other electrical and new HVAC/ventilation system. The work also includes furnishing all labor, materials, and equipment to install a new 24" flow meter and meter vault outside the station and temporary bypass pumping, demolish existing walls, sidewalk, parking lot, roofs and structures, install new electrical room building addition, new flat roofs and clay tile roofs, windows, doors, aluminum fence, new landscaping, and with all associated work required for a complete project in accordance with the Contract Documents.

Payment for Lump Sum Work will be made at the appropriate Contract Lump Sum Price.

CONTRACT ITEM 200 SERIES – STRUCTURAL COATING & CONCRETE RESTORATION

The Contractor shall furnish all labor, materials and equipment to rehabilitate the existing structures complete as shown on the Plans, specified, and directed by the Engineer.

The concrete restoration shall conform to the requirements shown on the drawings and Workmanship and Materials Section 52 of the specifications. All work shall be done in strict accordance with manufacturer's instructions.

The work comprises installing an approved concrete repair material and protective coating system as specified including surface preparation, cleaning, application of hydraulic cement or other means to fill voids and stop infiltration, curing, surface preparation such as sand blasting or pressure washing, visually inspecting finished liner and spark testing; removal of existing coatings, protection of adjacent facilities, restoring all disturbed areas to preconstruction condition or better, and all appurtenant work.

Payment for the proposed structural coating system for the walls and ceilings will be made at the Contract Unit Price of per square foot.

Concrete Restoration will be categorized based on the depth of the repair. All concrete restoration work includes the costs associated with the removal of unsound concrete. Only one pay item shall be used per repair. Concrete Restoration pay items shall not be compounded.

Payment for the Concrete Restoration up to and including 1" thick will be made at the Contract Unit Price of per square foot.

Payment for the Concrete Restoration greater than 1" thick will be made at the Contract Unit Price of per cubic foot.

CONTRACT ITEM 500 - CONTINGENCY

The Contractor shall include a Two Hundred Thousand Dollar (\$200,000) contingency sum, to be included as part of the total bid amount for this contract per SP-60. The contingency is for the purpose of compensating the Contractor for any incidental work that may arise as construction operations proceed

and was not addressed as part of the original work portrayed in the Plans and Specifications. All contingency items must be approved by the City in advance of the actual work.

The Two Hundred Thousand Dollar (\$200,000) contingency sum is an upset limit. Any amount of the contingency shall be paid only after negotiation.