



CITY OF TAMPA

Bob Buckhorn, Mayor

CONTRACT ADMINISTRATION DEPARTMENT

David L. Vaughn, AIA, Director

ADDENDUM NO. 1

DATE: April 21, 2014

Contract: 13-C-00055; Howard F. Curren AWTP Reclaimed Water Pumping Improvements

Bidders on the above referenced project are hereby notified that the following addendum is made to the Contract Documents. BIDS TO BE SUBMITTED SHALL CONFORM TO THIS NOTICE.

Item 1: The bid date is hereby changed to April 29, 2014.

Item 2: Replace the set of plans with the attached, updated set of plans.

Item 3: Attached for reference is the pre-bid meeting sign-in sheet.

All other provisions of the Contract Documents and Specifications not in conflict with this Addendum shall remain in full force and effect.

Questions are to be e-mailed to ContractAdministration@tampagov.net.

Jim Greiner

Jim Greiner, P.E., Contract Management Supervisor

HOWARD F. CURREN AWTP RCW PUMP STATION IMPROVEMENTS (ATLAS K-13)

CITY OF TAMPA WATER DEPARTMENT
TAMPA, FLORIDA
CONTRACT 13-C-00055

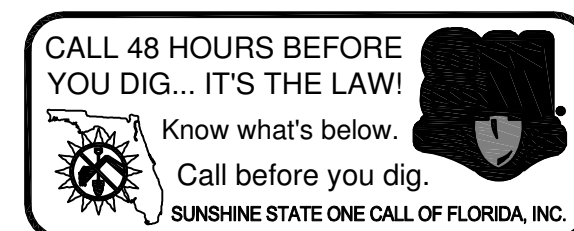
SHEET INDEX	
1	COVER SHEET
2	GENERAL NOTES
3	SITE PLAN
4	EXISTING RECLAIMED PUMP STATION DEMOLITION
5	RECLAIMED PUMP STATION IMPROVEMENTS
6 & 7	MISCELLANEOUS DETAILS
E-1	LEGEND & ABBREVIATIONS
E-2	GENERAL NOTES
E-3	EXISTING ELECTRICAL ONE-LINE DIAGRAM / DEMOLITION PLAN
E-4	ELECTRICAL SITE PLAN
E-5	PUMP AREA CONDUIT ROUTING PLAN
E-6	FILTER BLDG. 2 ELECTRICAL EQUIPMENT LAYOUT
E-7	PROPOSED ELECTRICAL ONE-LINE DIAGRAM
E-8	ELECTRICAL ONE-LINE DIAGRAM
E-9	PUMP 1 AFD CONNECTION DIAGRAM
E-10	ELECTRICAL DETAILS
E-11	ELECTRICAL DETAILS
E-12	CONDUIT SCHEDULE



PREPARED FOR:
CITY OF TAMPA WATER DEPARTMENT
CONTACT PERSON: ROY MCKENZIE
306 E. JACKSON STREET
TAMPA, FL 33602
(813) 274-7104

PREPARED BY:
J&A ASSOCIATES ENGINEERS & MANAGERS, INC.
CONTACT PERSON: ASHLEY M. MIELE, PE
4900 MANATEE AVENUE WEST, SUITE 203
BRADENTON, FL 34209
(941) 254-7901

100% SUBMITTAL



VICINITY MAP

N.T.S.

cph A Full Service A & E Firm

Architects M/E/P
Engineers Planners
Environmental Surveyors
Landscape Architects Traffic/Transportation

www.cphcorp.com 5601 Mariner Street Tampa, FL 33609
Phone: 813.288.0233

Licenses:
Eng. C.O.A. No. 3215 Arch. Lic. No. AA2600926
Survey L.B. No. 7143 Landscape Lic. No. LC0000298

J & A Associates
Engineers and Managers, Inc.
4900 Manatee Avenue West, Suite 203
Bradenton, FL, 34209
Phone 941-254-7901 Fax 941-254-7902

ASHLEY M. MIELE, P.E.
FL #66476

This document, together with the concepts and designs presented herein, as an instrument of service, is intended only for the specific purpose and client for which it was prepared. Reuse of and improper reliance on this document without written authorization and adaptation by J&A Associates shall be without liability to J&A Associates. Drafted by CPH, Inc., 813-288-0233, www.cphcorp.com

GENERAL PROJECT DATA

- FOR IDENTIFICATION OF CONTRACTUAL AGREEMENTS, THE ENGINEER PLANS SHALL BE DATED AS JANUARY 2014. ANY REVISIONS THEREAFTER WILL BE NOTED AND DATED ON THE AFFECTED DRAWING(S).
- CONTRACTOR WILL BE RESPONSIBLE TO OBTAIN, MAINTAIN AND PAY FOR ANY PASSES OR PERMITS AS REQUIRED FOR CITY OF TAMPA PORT AUTHORITY.
- ANY PUBLIC LAND CORNER, PROPERTY MONUMENTATION OR BENCH MARK WITHIN THE LIMITS OF CONSTRUCTION SHALL BE PROTECTED. IF A CORNER MONUMENT IS IN DANGER OF BEING DESTROYED, THE CONTRACTOR SHALL NOTIFY THE ENGINEER IMMEDIATELY.
- THE CONTRACTOR SHALL CONTACT THE ENGINEER'S OFFICE IMMEDIATELY ON ANY CONFLICTS ARISING DURING CONSTRUCTION OF ANY IMPROVEMENTS SHOWN ON THESE DRAWINGS.
- THE CONTRACTOR SHALL PROVIDE ALL DEWATERING NECESSARY TO KEEP EXCAVATIONS DRY.
- LOCATIONS OF EXISTING UNDERGROUND UTILITIES ARE SHOWN BASED ON THE MOST RELIABLE INFORMATION AVAILABLE. VERIFY THE LOCATION AND DEPTH OF ALL PERTINENT UTILITIES PRIOR TO CONSTRUCTION BY CALLING SUNSHINE ONE-CALL (DIAL 811).
- DISTURBANCE TO ANY PROPERTY SHALL BE RESTORED TO ORIGINAL OR BETTER CONDITION.
- CONTRACTOR SHALL REPLACE ALL REMOVED OR DAMAGED SIDEWALK, SHRUBBERY, LANDSCAPING, IRRIGATION PIPES, VALVES AND COMPONENTS TO PRE-EXISTING CONDITIONS OR BETTER. GRASS SHALL BE REPLACED BY SODDING. CONCRETE DRIVEWAYS AND/OR SIDEWALKS REMOVED SHALL BE REPLACED IN FULL FROM CONSTRUCTION JOINT TO CONSTRUCTION JOINT. RESTORATION SHALL BE TO CITY STANDARDS.
- EXISTING DIMENSIONS ARE BASED ON AS-BUILT DRAWINGS. TRUE DIMENSIONS SHALL BE DETERMINED IN THE FIELD PRIOR TO LAYOUT AND SHOP DRAWINGS SUBMITTAL.
- CONTRACTOR SHALL MEET ALL REQUIREMENTS AS LISTED IN THE SPECIFIC PROVISIONS AND INDIVIDUAL SPECIFICATION SECTIONS INCLUDED IN THE CONTRACT DOCUMENTS. PAVEMENT RESTORATION SHALL CONSIST OF 12" CRUSHED CONCRETE, 1-3/4" SUPERPAVE 12.5 ASPHALT AS SHOWN ON TYPICAL PAVEMENT SECTION DETAIL SHEET 7. BACKFILL AND SUBGRADE SHALL BE COMPACTED IN 12" LIFTS TO 98% OF MDD AS DETERMINED BY AASHTO T-180

PROJECT DESCRIPTION

- THE PROJECT CONSISTS OF REPLACING THE EXISTING PUMP NO. 1 WITH A PUMP EQUIVALENT TO PUMPS NO. 2 - NO. 4. THE CONTRACTOR SHALL BE RESPONSIBLE FOR ALL DEMOLITION OF EXISTING PUMP AND PIPE HEADER. ALL SALVAGEABLE MATERIALS SHALL BE HANDED OVER TO THE CITY. CONTRACTOR SHALL PERFORM PIPING MODIFICATIONS FOR INSTALLATION OF PROPOSED PUMP AS IDENTIFIED ON THE PLANS, INCLUDING VALVES, FITTINGS, FLOW METER, INSTRUMENTATION, ELECTRICAL CONTROLS AND ALL REQUIRED APPURTENANCES TO PROVIDE A FULLY OPERATIONAL SYSTEM. PROJECT INTENT IS FOR NEW PIPE AND PUMP AND CONFIGURATION (EXCEPT FOR THE HEADER PIPE) TO MATCH EXISTING PUMPS #2 - #4.
- PLANS FOR THIS PROJECT ARE BASED ON AS-BUILTS OF THE ORIGINAL PUMP STATION CONSTRUCTION. CONTRACTOR SHALL BE RESPONSIBLE FOR VERIFYING EXISTING SITE CONDITIONS.
- CONTRACTOR SHALL PROVIDE AND INSTALL AN 18-PULSE ADJUSTABLE FREQUENCY DRIVE (AFD), COMPLETE WITH THE NECESSARY POWER DISTRIBUTION AND CONTROLS, AS SHOWN IN THE DRAWINGS AND DESCRIBED IN THE SPECIFICATIONS, TO OPERATE THE NEW RECLAIMED WATER PUMP. POWER DISTRIBUTION TO THE AFD SHALL INCLUDE, BUT NOT BE LIMITED TO, PROVIDING AND INSTALLING A NEW CIRCUIT BREAKER IN THE EXISTING SWITCHGEAR AND PROVIDING AND INSTALLING A NEW MOTOR CONTROL CENTER (MCC). THE MCC WILL BE INSTALLED WITH ALL THE NECESSARY CONDUIT AND WIRING TO PROVIDE POWER DISTRIBUTION TO THE NEW AFD AND THE THREE (3) EXISTING AFD'S, AS SHOWN IN THE DRAWINGS AND DESCRIBED IN THE SPECIFICATIONS.

EXISTING UTILITY LOCATION

- THE LOCATIONS OF ALL EXISTING UNDERGROUND PIPES AND CONDUITS SHOWN ON PLANS HAVE BEEN DETERMINED FROM THE BEST INFORMATION AVAILABLE. PRIOR TO THE START OF ANY CONSTRUCTION ACTIVITY, VERIFY THE LOCATION AND DEPTH OF ALL PERTINENT UTILITIES. NOTIFY UTILITY COMPANIES AT LEAST 48 HOURS BEFORE BEGINNING CONSTRUCTION BY CALLING SUNSHINE ONE-CALL (DIAL 811). THE CONTRACTOR SHALL EXERCISE CAUTION WHEN CROSSING AN UNDERGROUND UTILITY, WHETHER SHOWN ON THE PLANS OR LOCATED BY THE CONTRACTOR.
- THE PIPE LENGTHS ARE APPROXIMATE ONLY. THE CONTRACTOR SHALL PERFORM AN INDEPENDENT TAKE OFF AND SHALL BASE THE BID ON THAT TAKE OFF.

AS-BUILTS

- AS-BUILTS SHALL BE PROVIDED BY THE CONTRACTOR TO THE CITY OF TAMPA'S PROJECT REPRESENTATIVE TWO WEEKS PRIOR TO FINAL INSPECTION. SEE PROJECT SPECIFICATIONS FOR ADDITIONAL AS-BUILT REQUIREMENTS.

NOTICE OF APPLICABILITY

- WHEREVER STATE, COUNTY, CITY OR LOCAL STANDARD SPECIFICATIONS DIFFER FROM THOSE CONTAINED HEREIN, THE CONTRACTOR SHALL NOTIFY THE ENGINEER AND CITY FOR CLARIFICATION, TYPICALLY THE MORE STRINGENT SHALL GOVERN.

TRAFFIC CONTROL

- THE CONTRACTOR SHALL MAINTAIN UNINTERRUPTED VEHICLE ACCESS FOR PLANT OPERATIONS AND PLANT SUPPLIERS. THE CONTRACTOR SHALL COORDINATE WITH THE CITY AND SHALL SCHEDULE ALL WORK TO FACILITATE CONTINUOUS UNINTERRUPTED PLANT OPERATIONS.

UTILITY GENERAL NOTES

- THE CONTRACTOR IS RESPONSIBLE FOR ALL COSTS INCURRED FOR THE PROTECTION OF EXISTING FACILITIES DURING CONSTRUCTION.
- THE CONTRACTOR IS RESPONSIBLE TO MAINTAIN IN SERVICE ALL EXISTING PIPING ENCOUNTERED DURING CONSTRUCTION UNLESS OTHERWISE INDICATED IN THE DRAWINGS.
- FOR THE CONSTRUCTION REQUIRED, THE CONTRACTOR SHALL FIELD VERIFY THE LOCATION, DEPTH, AND ALIGNMENT OF ALL EXISTING PIPES AND CONDUITS, TO BE CROSSED OR CONNECTED TO. IF THE CONTRACTOR DEEMS NECESSARY (A.) A CHANGE IN ALIGNMENT OR DEPTH, OR THE NEED FOR ADDITIONAL FITTINGS, BENDS OR COUPLINGS, WHICH REPRESENT A DEPARTURE FROM THE CONTRACT DRAWINGS, OR (B.) A NEED FOR RELOCATION OF EXISTING UTILITIES, THEN DETAILS OF SUCH DEPARTURES, RELOCATIONS, OR ADDITIONAL REASONS THEREFORE SHALL BE SUBMITTED WITH SHOP DRAWINGS. APPROVED DEPARTURES FOR THE CONTRACTORS CONVENIENCE ONLY SHALL BE MADE AT NO ADDITIONAL COST TO THE CITY.
- PROPOSED UTILITIES SHALL HAVE A 3'-0" MINIMUM DEPTH OF COVER UNLESS INDICATED ON THE PLANS OR DIRECTED BY THE ENGINEER.
- THE CONTRACTOR SHALL BE RESPONSIBLE FOR ANY DAMAGE TO EXISTING UTILITIES CAUSED BY CONSTRUCTION OPERATIONS.
- EROSION AND SEDIMENT CONTROL DEVICES SHALL REMAIN IN PLACE AND SHALL NOT BE REMOVED UNTIL FINAL GRADING AND RESTORATION OF THE SITE HAS BEEN COMPLETED.
- TYPICAL DETAILS AND PROPOSED CONSTRUCTION AS SHOWN ILLUSTRATE THE ENGINEERS' INTENT AND ARE NOT PRESENTED AS A SOLUTION TO ALL CONSTRUCTION PROBLEMS ENCOUNTERED IN THE FIELD.

OWNER/OPERATOR

- THE ENTITY THAT WILL OWN, OPERATE AND MAINTAIN THE SYSTEM SHOWN ON THESE PLANS IS THE CITY OF TAMPA WASTEWATER DEPARTMENT. THE CONTRACTOR SHALL BE EXPECTED TO COORDINATE WITH AND MEET ALL THE REQUIREMENTS OF THE ENTITY.

MATERIALS

- MATERIALS SHALL BE NEW UNLESS OTHERWISE NOTED IN SPECIFICATIONS AND PLANS.
- SHOP DRAWINGS SHALL BE SUBMITTED FOR ALL PROPOSED NEW ITEMS. SHOP DRAWINGS, BOTH HARD COPIES OR ELECTRONIC IN PDF FORMAT, SHALL BE HIGH QUALITY AND EASILY READABLE.

GENERAL

- ALL PUMPING PIPE AND FITTINGS SHALL BE DUCTILE IRON.
- ALL DUCTILE IRON PIPE SHALL MEET THE REQUIREMENTS OF AWWA C151, BE PC 250 AND FULLY GAUGED COATINGS AND LININGS FOR DUCTILE IRON PIPE AND FITTINGS SHALL CONFORM TO THE SUBSECTION HEADED "COATINGS AND LININGS," CONTAINED HEREIN.
- ALL NEW RECLAIMED WATER MAINS SHALL BE PRESSURE TESTED AND FLUSHED PER SPECIFICATIONS PRIOR TO CONNECTING INTO EXISTING MAIN LINE.
- ALL RECLAIMED WATER MAINS 4" AND LARGER SHALL BE DUCTILE IRON PIPE EXCEPT WHERE NOTED TO BE STEEL PIPE. ALL FLANGE CONNECTIONS BOLTS, NUTS, AND WASHERS SHALL BE TYPE 316 STAINLESS STEEL.
- THE EXISTING RECLAIMED WATER PUMP STATION SHALL REMAIN OPERATIONAL WITH MINIMAL DOWNTIME TO INSTALL THE NEW RECLAIMED WATER PUMP, REFER TO SEQUENCING OF CONSTRUCTION.

SEQUENCE OF CONSTRUCTION

- CONSTRUCTION OPERATIONS MUST ALLOW FOR THE CONTINUOUS OPERATION OF THE FACILITY, EXCEPT AS ALLOWED IN "SEQUENCING" BELOW. CONTRACTOR SHALL PREPARE A PROPOSED SEQUENCE OF CONSTRUCTION ACTIVITIES FOR REVIEW AND APPROVAL BY THE OWNER/OPERATOR PRIOR TO COMMENCING ANY CONSTRUCTION ACTIVITIES ON SITE.

SEQUENCING

- CONTRACTOR SHALL COORDINATE WITH THE CITY AT LEAST 4-WEEKS IN ADVANCE TO BRING THE SYSTEM DOWN TO REMOVE PORTIONS OF THE PUMP HEADER ASSOCIATED WITH INSTALLING THE NEW 30"x16" REDUCER AND 16" BUTTERFLY VALVE. CONTRACTOR SHALL ONLY REMOVE PORTIONS OF HEADER THAT WILL ALLOW FOR DOWNTIME OF THE INITIAL INSTALLATION OF THE 30"x16" REDUCER AND 16" BUTTERFLY VALVE.
- CONTRACTOR SHALL DEMOLISH ALL REMAINING PORTIONS OF THE PUMP HEADER AND REMOVE EXISTING PUMP NO. 1, KEEPING THE EXISTING RECLAIMED PUMPS IN OPERATION.
- CONTRACTOR SHALL INSTALL PROPOSED PUMP NO. 1 AND TEST FOR A MINIMUM OF 48-HOURS FOR APPROVED BY CITY STAFF.

FLANGED PIPE

- FLANGED PIPE SHALL CONFORM TO THE REQUIREMENTS OF AWWA C115. FLANGES SHALL BE DUCTILE IRON AND SHALL HAVE LONG HUBS. THERE SHALL BE NO LEAKAGE THROUGH THE PIPE THREADS, AND THE FLANGES SHALL BE DESIGNED TO PREVENT CORROSION OF THE THREADS FROM OUTSIDE.

FITTINGS

- FITTINGS SHALL BE STD. CLASS 125 FLANGED FITTINGS MANUFACTURED IN ACCORDANCE WITH AWWA C-110 AND NAFF 200 LATEST REVISION

FLANGED JOINTS

- FLANGED JOINTS SHALL MEET THE REQUIREMENTS OF ANSI SPECIFICATION B16.1. FLANGES, FLANGE FACING DRILLING, AND PROTECTING SHALL BE AS SPECIFIED FOR FLANGED PIPE.
- EXCEPT WHERE OTHERWISE DIRECTED BY THE ENGINEER, GASKETS FOR FLANGED JOINTS SHALL BE OF THE FULL-FACE TYPE, MEETING THE REQUIREMENTS OF ANSI B16.21. GASKETS SHALL BE RUBBER WITH CLOTH INSERTION, AS MADE BY THE CRANE COMPANY, GARLOCK PACKING COMPANY, U.S. RUBBER COMPANY, OR EQUAL.

COATINGS AND LININGS

- UNLESS OTHERWISE SHOWN ON THE PLANS OR SPECIFIED, ALL DUCTILE IRON PIPE AND FITTINGS SHALL HAVE A CEMENT-MORTAR LINING MEETING THE REQUIREMENTS OF AWWA C151-8.2.
- CONTRACTOR SHALL PAINT EXTERIOR SURFACES OF ALL ABOVEGROUND RCW PUMPING PIPES AND APPURTENANCES IN ACCORDANCE WITH SPECIFICATIONS W-36 "COATINGS". PAINT COLOR SHALL BE PANTONE PURPLE.

This document, together with the concepts and designs presented herein, is intended only for the specific purpose and client for which it was prepared. Reuse of and improper reliance on this document without written authorization and adaptation by J&A Associates shall be without liability to J&A Associates. Drafted by Charles Bailey, Creative CAD Source, 941.876.3004, www.creativecadsource.com

J & A Associates
Engineers and Managers, Inc.
4900 Manatee Avenue West, Suite 203
Bradenton, FL, 34209
Phone 941-254-7901 Fax 941-254-7902
© 2014 J&A ASSOCIATES ENGINEERS AND MANAGERS, INC.

NO.	REVISIONS	DATE	BY

SCALE SHOWN	DESIGNED BY:	PROFESSIONAL ENGINEER:
WWW	WWW	ASHLEY M. NIELI, PE
DRAWN BY:	GOA	LICENSE NUMBER: 66476
CHECKED BY:	SNF	DATE:

Howard F. Current AWT
Reclaimed Water Pump
Station Improvements
(Atlas K-13)

GENERAL NOTES

DATE	01/13/2014
PROJECT NUMBER	JA13-08AWC
SHEET NUMBER	2



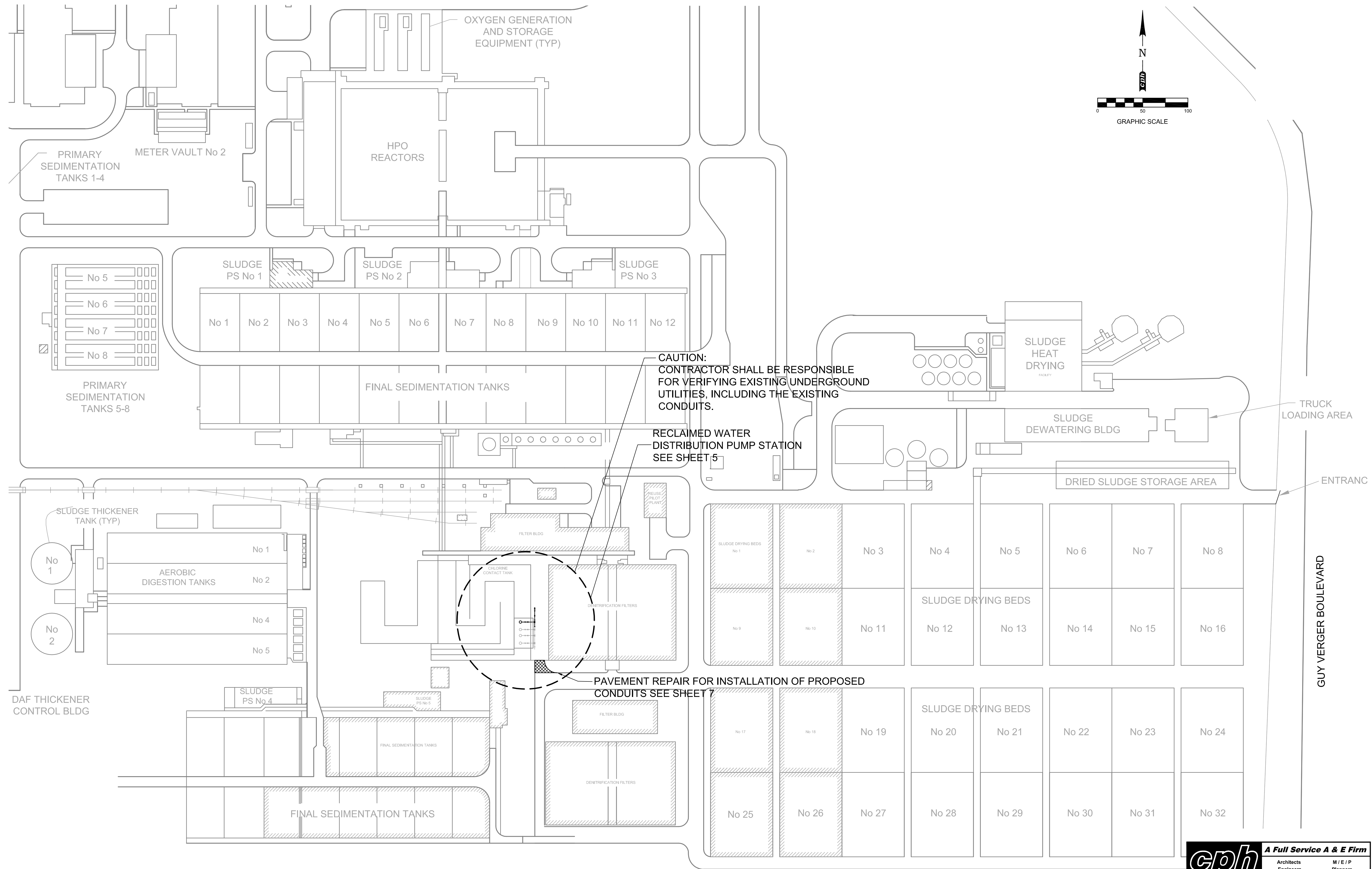
A Full Service A & E Firm

Architects M / E / P
Engineers Planners
Environmental Surveyors
Landscape Architects Traffic/Transportation

5601 Mariner Street Tampa, FL 33609
Phone: 813.288.0233

Licenses:
Eng. C.O.A. No. 3215 Arch. Lic. No. AA2600926
Survey L.B. No. 7143 Landscape Lic. No. LC0000298

This document, together with the concepts and designs presented herein, as an instrument of service, is intended only for the specific purpose and client for which it was prepared. Reuse of and improper reliance on this document without written authorization and adaptation by J&A Associates shall be without liability to J&A Associates. Drafted by Charles Bailey, Creative CAD Source, 941.676.3004, www.creativecadsource.com



SITE PLAN

J & A Associates
 Engineers and Managers, Inc.
 4900 Manatee Avenue West, Suite 203
 Bradenton, FL, 34209
 Phone 941-254-7901 Fax 941-254-7902
 © 2014 J&A ASSOCIATES ENGINEERS AND MANAGERS, INC.

NO.	REVISIONS	DATE	BY

PROFESSIONAL ENGINEER:
 ASHLEY A. NIELE, P.E.
 LICENSE NUMBER: 66476
 DATE: _____

SCALE SHOWN:
 DESIGNED BY: WAW
 DRAWN BY: GCM
 CHECKED BY: SNF

**Howard F. Current AWTP
 Reclaimed Water Pump
 Station Improvements
 (Atlas K-13)**

SITE PLAN

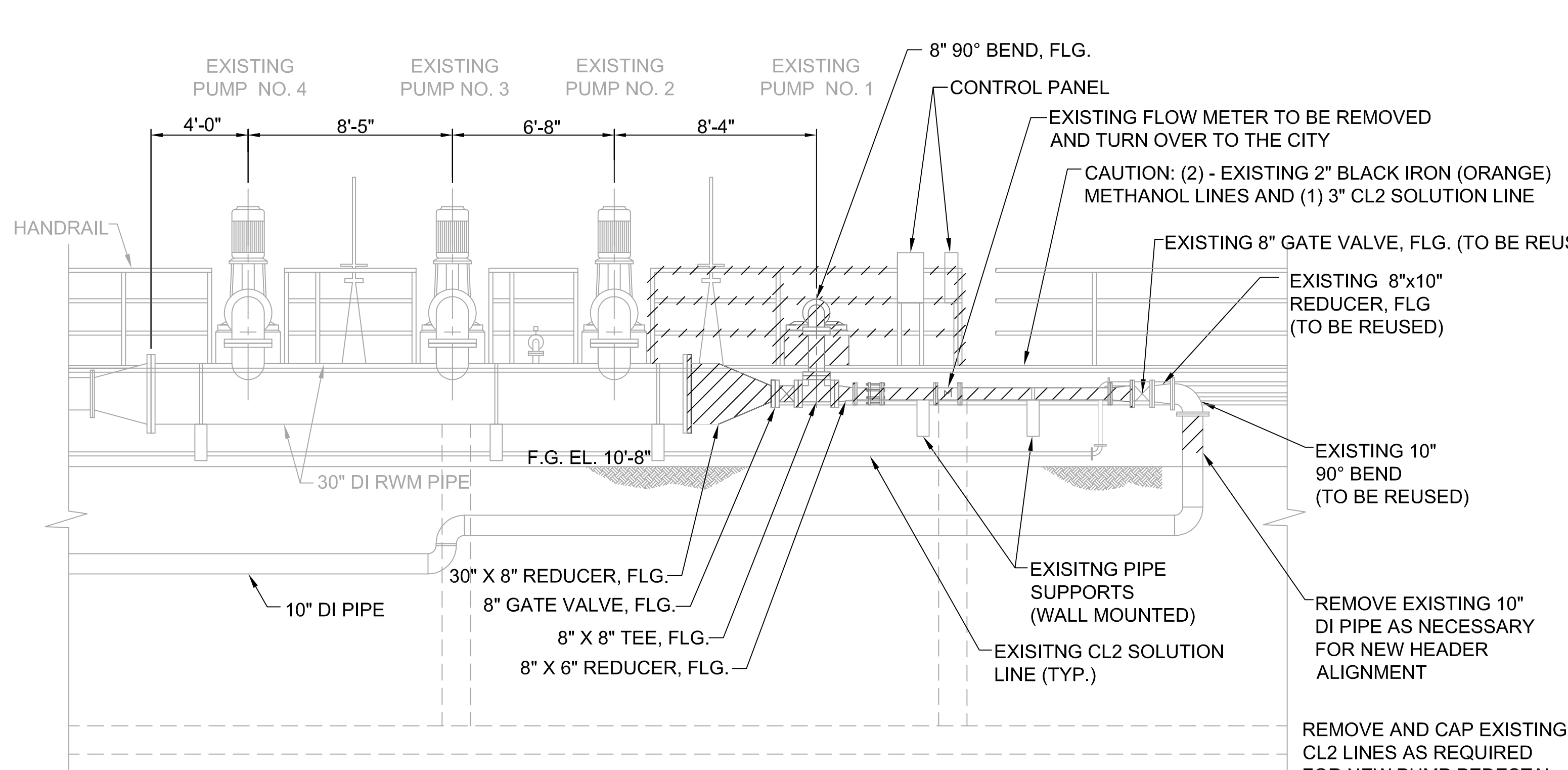
DATE
 01/13/2014
 PROJECT NUMBER
 JA13-08AWC
 SHEET NUMBER
3

cph **A Full Service A & E Firm**

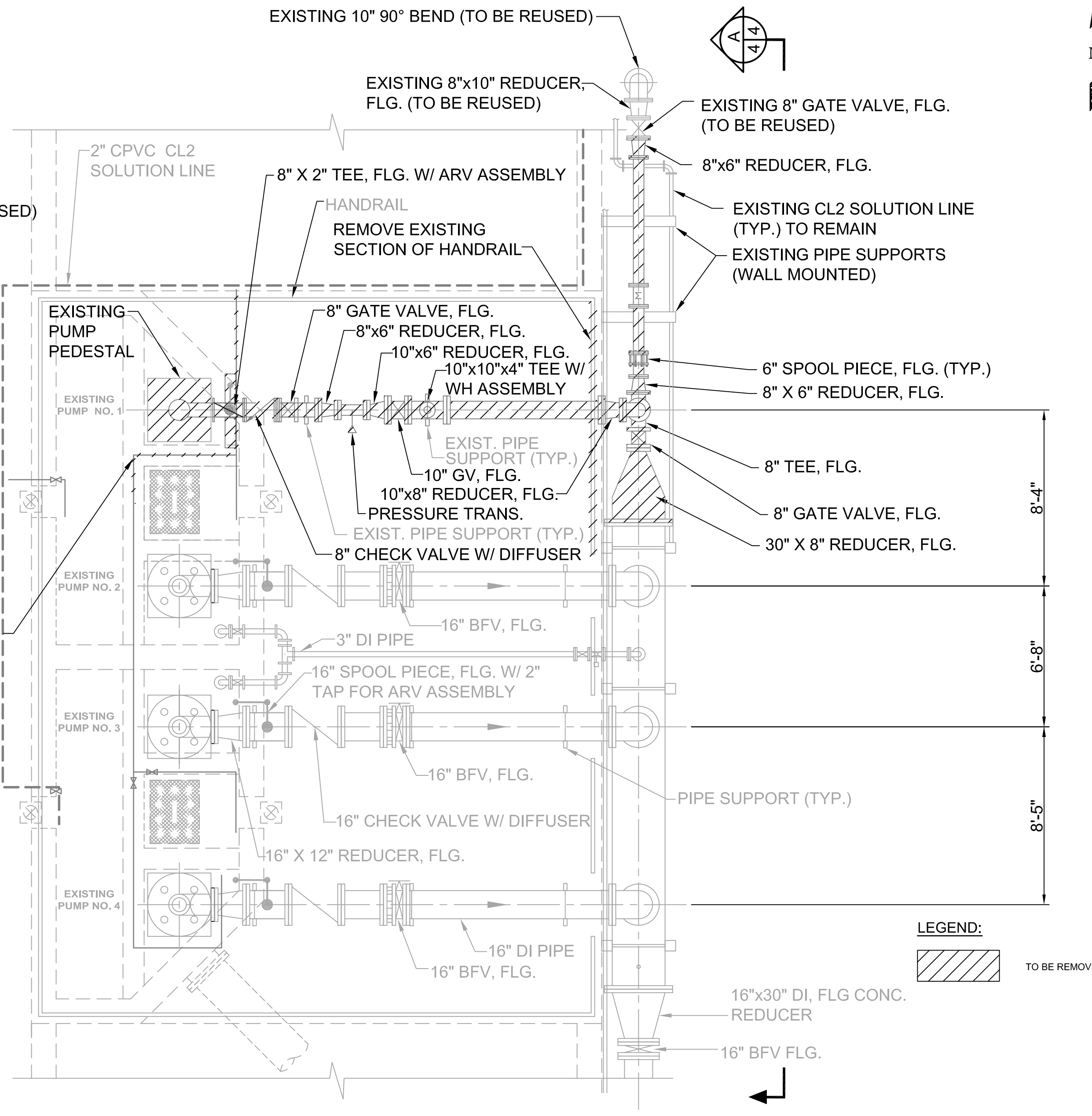
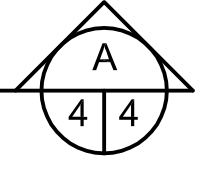
Architects M / E / P
 Engineers Planners
 Environmental Surveyors
 Landscape Architects Traffic/Transportation

www.cphcorp.com 5601 Mariner Street Tampa, FL 33609
 Phone: 813.288.0233
 Licenses:
 Eng. C.O.A. No. 3215 Arch. Lic. No. AA2600926
 Survey L.B. No. 7143 Landscape Lic. No. LC0000298

This document, together with the concepts and designs presented herein, is intended only for the specific purpose and client for which it was prepared. Reuse of and improper reliance on this document without written authorization and adaptation by J&A Associates shall be without liability to J&A Associates. Drafted by Charles Bailey, Creative CAD Source, 841.876.3004, www.creativecadsource.com



EXISTING PUMP 1 REMOVAL SECTION
SCALE: 1/4" = 1'-0"



EXISTING PUMP AND PIPING PLAN
SCALE: 1/4" = 1'-0"



EAST ELEVATION (FACING SW)

DEMOLITION NOTES

1. CONTRACTOR TO COORDINATE ALL PIPE AND CONDUIT LOCATIONS WITH MECHANICAL AND ELECTRICAL DRAWINGS PRIOR TO ANY DEMOLITION.
2. CONTRACTOR SHALL TAKE THE NECESSARY PRECAUTIONS TO PREVENT DAMAGE TO EXISTING STRUCTURES, AND EQUIPMENT NOT TO BE REMOVED. ALL DAMAGED EXISTING EQUIPMENT, SHALL BE REPLACED, REPAIRED TO NEW OR EXISTING CONDITION.
3. EXTREME CAUTION MUST BE TAKEN ON ANY EXCAVATION OF PIPE, IF NECESSARY IN THE IMMEDIATE FRONT ROADWAY SIDE OF PUMP STATION AS TO NOT DISTURB 2-2\"/>

DEMOLITION NOTES CONTINUED

6. CONTRACTOR SHALL REMOVE PUMP, PIPE, FITTINGS, AND SUPPORTS AS NECESSARY TO INSTALL PROPOSED IMPROVEMENTS.
7. SEE GENERAL NOTES ON SHEET 2 AND SPECIAL PROVISIONS SP-17 REGARDING DEMOLITION SEQUENCE.

cph www.cphcorp.com	A Full Service A & E Firm	
	Architects Engineers Environmental Landscape Architects Traffic/Transportation	M / E / P Planners Surveyors
5601 Mariner Street Tampa, FL 33609 Phone: 813.288.0233		
Eng. C.O.A. No. 3215 Survey L.B. No. 7143	Licenses: Arch. Lic. No. AA2600926 Landscape Lic. No. LC0000298	

J&A Associates
Engineers and Managers, Inc.
4900 Manatee Avenue West, Suite 203
Bradenton, FL, 34209
Phone 941-254-7901 Fax 941-254-7902
© 2014 J&A ASSOCIATES ENGINEERS AND MANAGERS, INC.

NO.	REVISIONS	DATE	BY

SCALE SHOWN: WWW	DESIGNED BY: WWW	DRAWN BY: GOM	CHECKED BY: SNF
PROFESSIONAL ENGINEER: ASHLEY A. NIELE, PE LICENSE NUMBER: 66476		DATE:	

**Howard F. Current AWTP
Reclaimed Water Pump
Station Improvements
(Atlas K-13)**

**EXISTING RECLAIMED
PUMP STATION
DEMOLITION**

DATE
01/13/2014

PROJECT NUMBER
JA13-08AWC

SHEET NUMBER
4

PUMP PIPING LEGEND

- (A) NEW VERTICAL TURBINE PUMP, (SEE PUMP SPECIFICATION, THIS SHEET)
- (B) 16" x 12" REDUCER, FLG.
- (C) 16" DIP SPOOL PIECE DIRECT TAPPED FOR 2" SS PIPE (2" SS BALL VALVE AND 2" AIR RELEASE VALVE SIPHON BREAK APCO SERIES 144 DAT OR APPROVED EQUAL)
- (D) 16" SLANTING DISC CHECK VALVE WITH DASHPOT - APCO SERIES 800T, WITH HYDRAULIC OPERATORS
- (E) 16" FULLY GAUGED D.I. SPOOL PIECE, FLG. x P.E., LENGTH AS REQUIRED
- (F) 16" FLANGED COUPLING ADAPTER
- (G) 16" BUTTERFLY VALVE, FLG. WITH HANDWHEEL
- (H) 16" D.I. SPOOL PIECE, FLG. x FLG., LENGTH AS REQUIRED
- (I) 30" x 16" REDUCER, FLG.
- (J) 16" 90° BEND, FLG.
- (K) 16" TEE, FLG.
- (L) 16" x 8" ECCENTRIC REDUCER, FLG.
- (M) 8" FULLY GAUGED D.I. SPOOL PIECE, FLG. x FLG., LENGTH AS REQUIRED
- (N) 8" ABB "WATER MASTER" FLOW METER, FLG. (METER TO MCKAY BAY INCINERATOR SEE SHEET E-5 AND E-11 FOR INSTALLATION DETAILS)
- (O) 10" FLANGED COUPLING ADAPTER, FLG. x P.E.
- (P) 2" STAINLESS STEEL SPOOL, LENGTH AS REQUIRED
- (Q) 2" 90° BEND, SS

PUMP SPECIFICATION

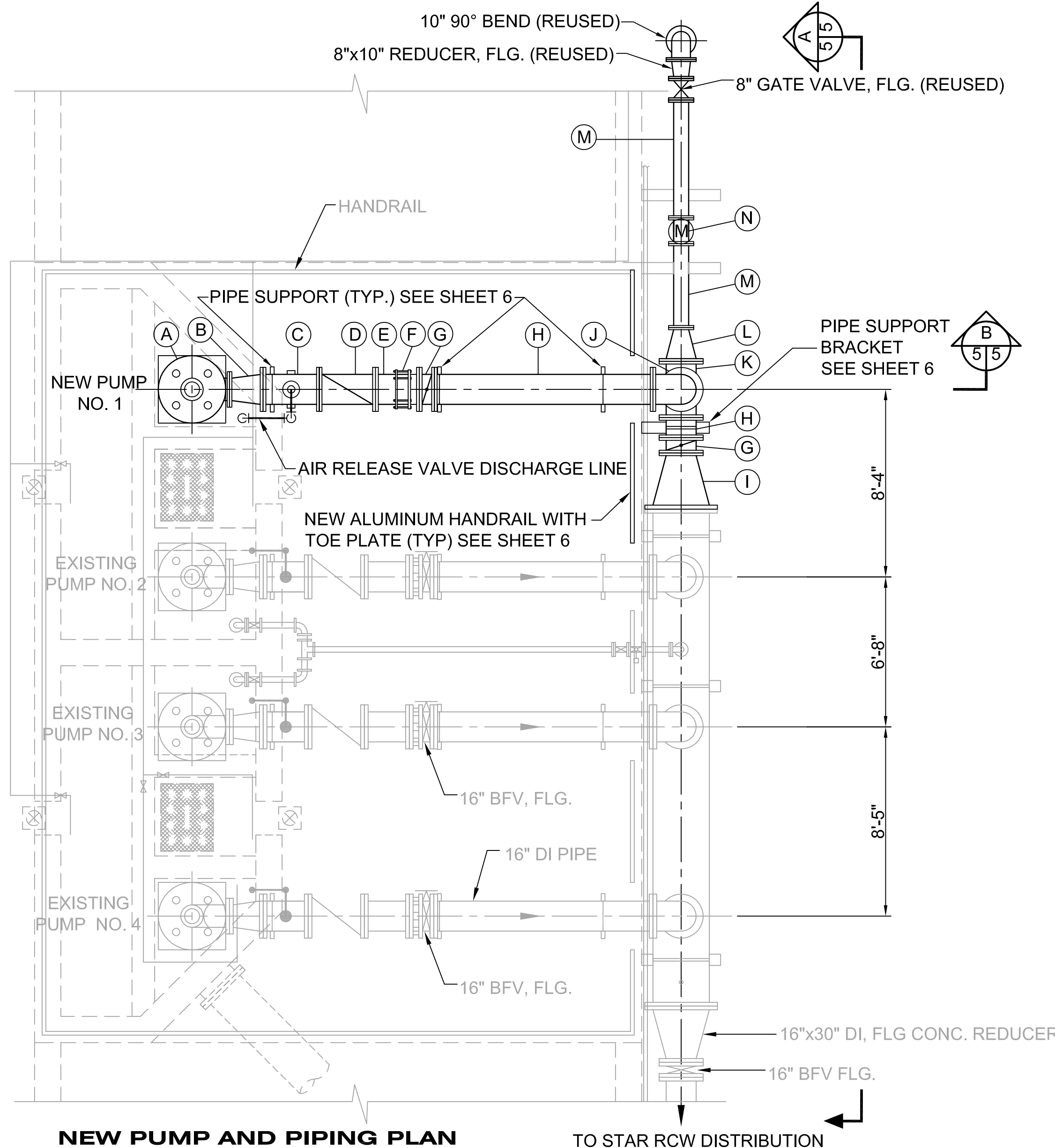
PUMP REQUIRED	ONE
MFGR. & MODEL NO. :	VERTICAL PUMP FLOWSERVE
MODEL NO. :	14ENH
PUMP SIZE	SUCTION, 12" FLANGE DISCHARGE
PUMP CAPACITY	3000 GPM,
TOTAL HEAD	208 FT,
IMPELLER SIZE OR NO.	11.12" TRIM
MOTOR REQUIREMENTS	200 HP. 460 VOLT, 3 PHASE
SPEED	VARIABLE SPEED - MAX SPEED 1775 RPM
ELECTRICAL SERVICE	480 VOLTS, 3 PHASE, 60 HERTZ

NOTES:

- THE CONTRACTOR IS TO COORDINATE ALL PIPE AND CONDUIT LOCATIONS WITH ELECTRICAL DRAWINGS PRIOR TO PLACING CONCRETE. CONTRACTOR SHALL PROVIDE SHOP DRAWINGS FOR EQUIPMENT AND ANCHOR BOLT LOCATIONS.
- DRAWINGS SHALL BE WORKED TOGETHER WITH ELECTRICAL DRAWINGS TO PROPERLY LOCATE WALL PIPES, PIPE SLEEVES, ANCHOR BOLTS, BLOCKOUTS, ETC. DISCREPANCIES SHALL BE BROUGHT TO THE ATTENTION OF THE ENGINEER BEFORE PROCEEDING WITH THE WORK.
- CONTRACTOR SHALL RELOCATE CONDUITS AS NECESSARY FOR PIPE SUPPORT INSTALLATION.

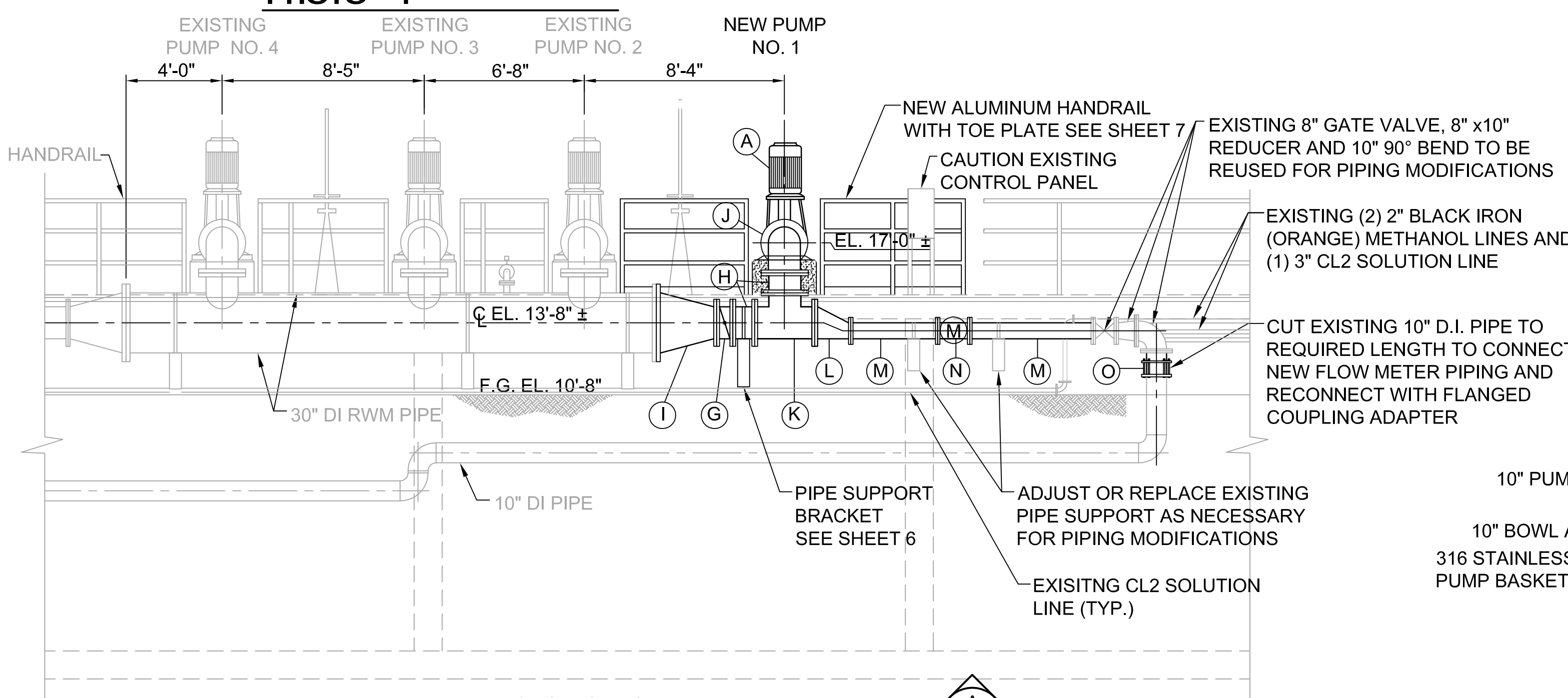


CONTRACTOR SHALL RELOCATE CONDUITS FOR THE INSTALLATION OF PROPOSED PIPE SUPPORTS



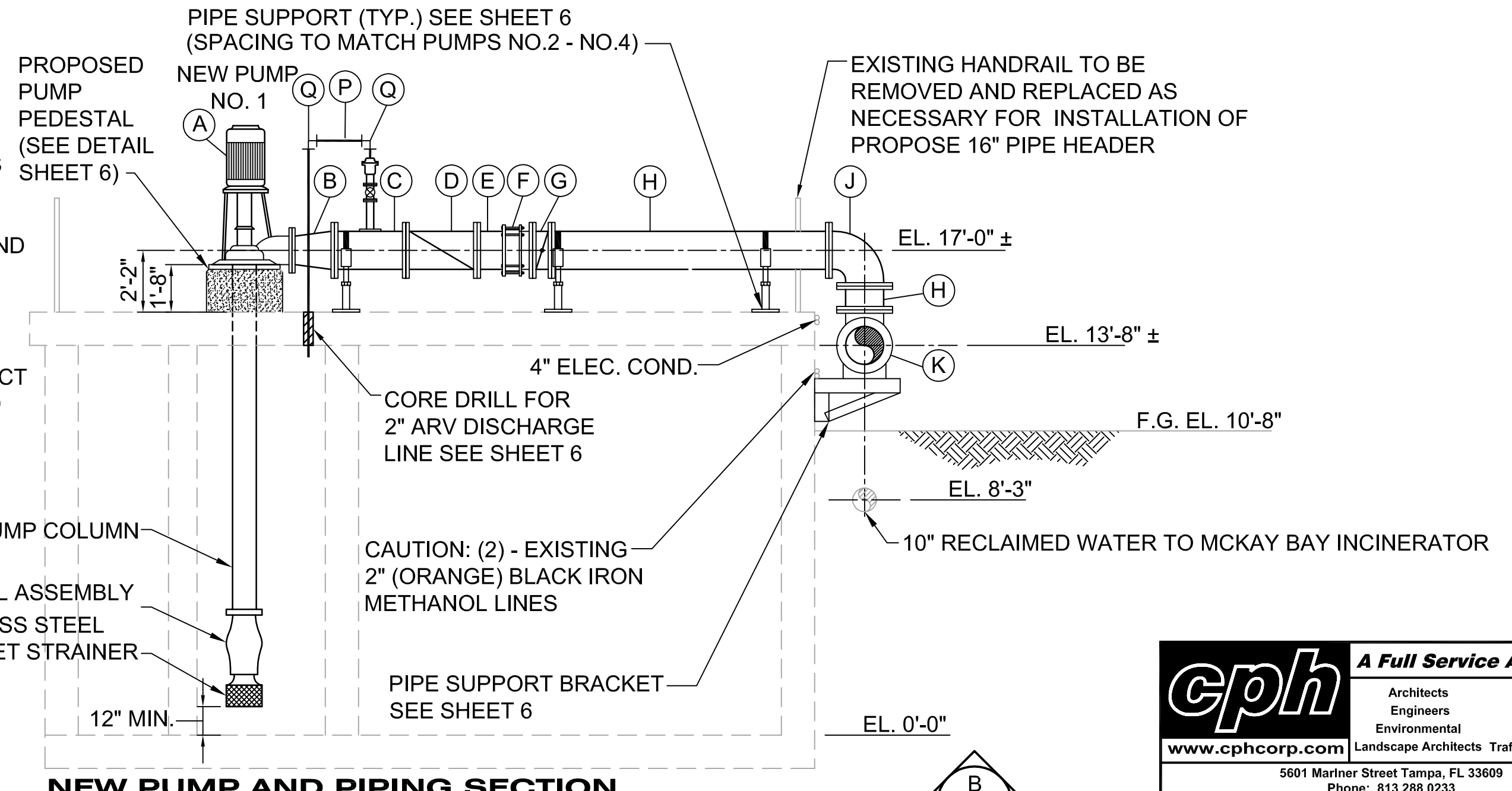
NEW PUMP AND PIPING PLAN

SCALE: 1/4" = 1'- 0"



NEW PUMP AND PIPING SECTION

SCALE: 1/4" = 1'- 0"



NEW PUMP AND PIPING SECTION

SCALE: 1/4" = 1'- 0"

This document, together with the concepts and designs presented herein, is intended only for the specific purpose and client for which it was prepared. Reuse of and improper reliance on this document without written authorization and adaptation by J&A Associates shall be without liability to J&A Associates. Drafted by Charles Bailey, Creative CAD Source, 841.676.3004, www.creativecadsource.com

J&A Associates
 Engineers and Managers, Inc.
 4900 Manatee Avenue West, Suite 203
 Bradenton, FL, 34209
 Phone 941-254-7901 Fax 941-254-7902
 © 2014 J&A ASSOCIATES ENGINEERS AND MANAGERS, INC.

NO.	REVISIONS	DATE	BY

SCALE SHOWN	DESIGNED BY	PROFESSIONAL ENGINEER
WWW	WAW	ASHLEY A. NIELLE PE
DRAWN BY	GCAM	LICENSE NUMBER 66476
CHECKED BY	SNR	DATE:

**Howard F. Current AWT
 Reclaimed Water Pump
 Station Improvements
 (Atlas K-13)**

**RECLAIMED PUMP STATION
 IMPROVEMENTS**

DATE	01/13/2014
PROJECT NUMBER	JA13-08AWC
SHEET NUMBER	5

cph A Full Service A & E Firm
 Architects M / E / P
 Engineers Planners
 Environmental Surveyors
 Landscape Architects Traffic/Transportation
 www.cphcorp.com
 5601 Mariner Street Tampa, FL 33609
 Phone: 813.288.0233
 Licenses:
 Eng. C.O.A. No. 3215 Arch. Lic. No. AA2600926
 Survey L.B. No. 7143 Landscape Lic. No. LC0000298

GENERAL NOTES

- CONTRACTOR SHALL VERIFY ALL EXISTING ELEVATION AND DIMENSIONS OF EXISTING STRUCTURES PRIOR TO SUBMITTAL OF FABRICATION OF SHOP DRAWINGS.
- CONTRACTOR TO COORDINATE ALL PIPE AND CONDUIT LOCATIONS WITH MECHANICAL DRAWINGS PRIOR TO PLACING CONCRETE. CONTRACTOR SHALL PROVIDE SHOP DRAWINGS FOR EQUIPMENT AND ANCHOR BOLT LOCATIONS.
- CLEARANCE OF REINFORCING STEEL FROM THE FACE OF CONCRETE TO THE OUTERMOST TIE/BAR SHALL BE 2-INCHES, UNLESS OTHERWISE NOTED ON THE DRAWINGS.
- ANCHOR BOLTS SHALL BE TYPE TYPE 316 STAINLESS STEEL UNLESS OTHERWISE NOTED ON DRAWINGS.

EXPANSION ANCHORS

- EXPANSION BOLTS SHALL BE 316 STAINLESS STEEL HILTI KWK BOLT II, OR APPROVED EQUAL. BOLTS SHALL HAVE THE FOLLOWING MINIMUM ALLOWABLE LOAD CAPACITIES (CONCRETE FC = 4000 PSI)

A. 3/4" DIA. BOLTS WITH 4 3/4" MINIMUM EMBEDMENT:

TENSION = 3,870 LBS
SHEAR = 4,800 LBS

B. 1" DIA. BOLTS WITH 6" MINIMUM EMBEDMENT:

TENSION = 7,200 LBS
SHEAR = 7,470 LBS

C. 5/8" STAINLESS STEEL WEDGE ANCHOR

- CAST IN PLACE CONCRETE SHALL HAVE A MINIMUM COMPRESSIVE STRENGTH OF 4,000 PSI AT 28 DAYS.

- THE FOLLOWING SHOP DRAWINGS SHALL BE SUBMITTED FOR REVIEW. FABRICATION SHALL NOT COMMENCE UNTIL ALL REVIEWS ARE COMPLETED.

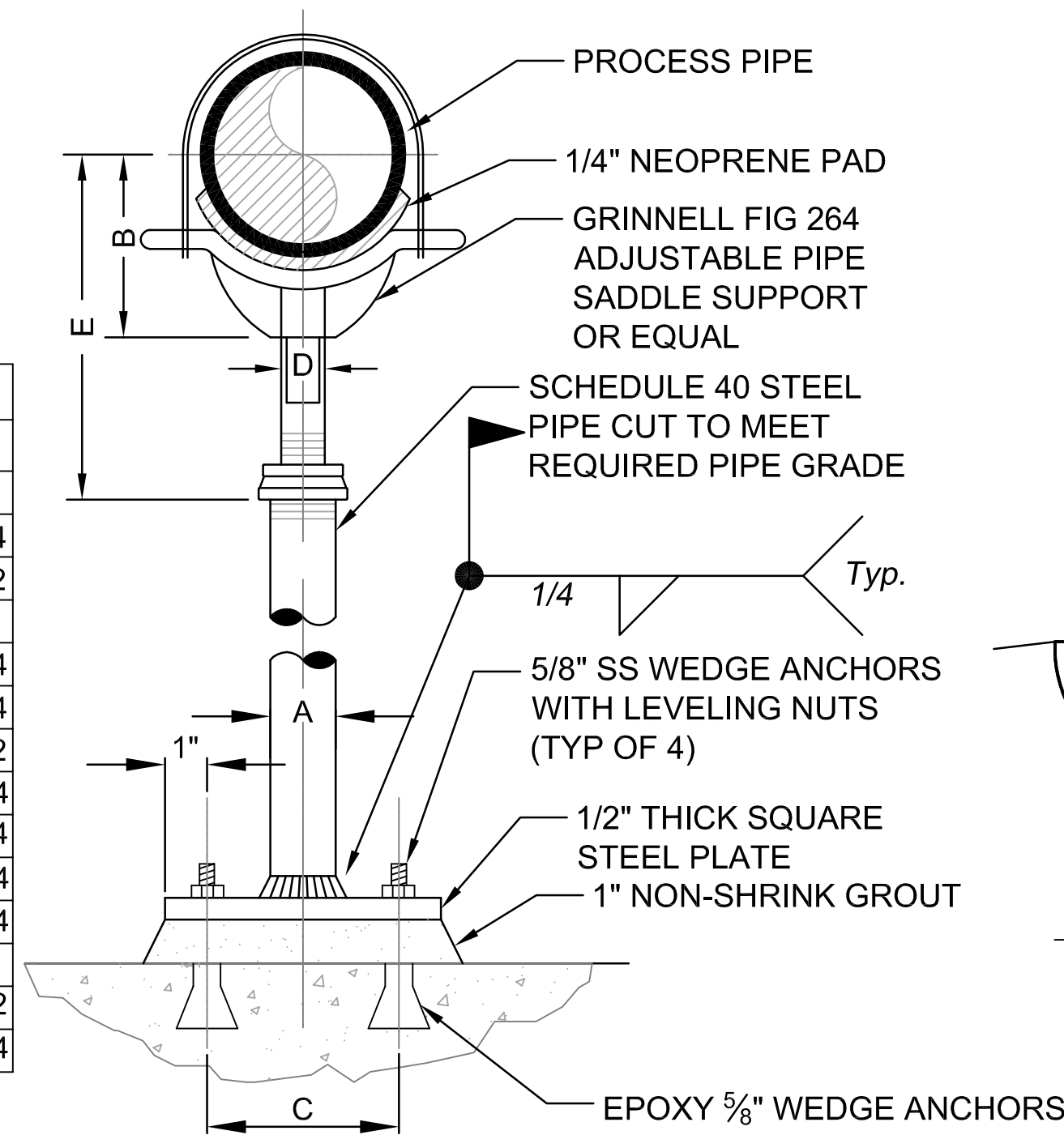
- REINFORCING STEEL
- STRUCTURE STEEL
- CONCRETE MIX DESIGNS
- GROUT
- ANCHOR BOLTS
- EXPANSION ANCHORS
- PIPE SADDLE
- PIPE CLAMPS

NOTE:

- HOT-DIP GALVANIZE SADDLE, LOCKNUT NIPPLE, REDUCER, AND PIPE WITH BASE SEPARATELY AFTER FABRICATION.
- SEE PLANS AND SECTIONS FOR PIPE GRADE REQUIREMENT.
- ANCHOR BOLTS SHALL BE SS WITH A MINIMUM OF 6" EMBEDMENT.

PIPE SIZE	A	B	C	D	E	
					MIN	MAX
2 1/2	2 1/2	3 1/2	7	1 1/2	8	13
3	2 1/2	3 3/4	7	1 1/2	8 1/4	13 1/4
3 1/2	2 1/2	4	7	1 1/2	8 1/2	13 1/2
4	3	4 1/4	7	2 1/2	9 1/4	14
5	3	4 7/8	7	2 1/2	10	14 3/4
6	3	5 1/2	7	2 1/2	10 1/2	15 1/4
8	3	6 7/8	7	2 1/2	11 3/4	16 1/2
10	3	8 1/2	7	2 1/2	13 1/2	18 1/4
12	3	9 15/16	7	2 1/2	15	19 3/4
14	4	10 15/16	7	3	16 1/4	20 3/4
16	4	12 3/8	7	3	17 3/4	22 1/4
18	6	13 7/8	9	3 1/2	19 1/2	24
20	6	15 3/8	9	3 1/2	21	25 1/2
24	6	17 15/16	9	4	23 1/4	28 1/4

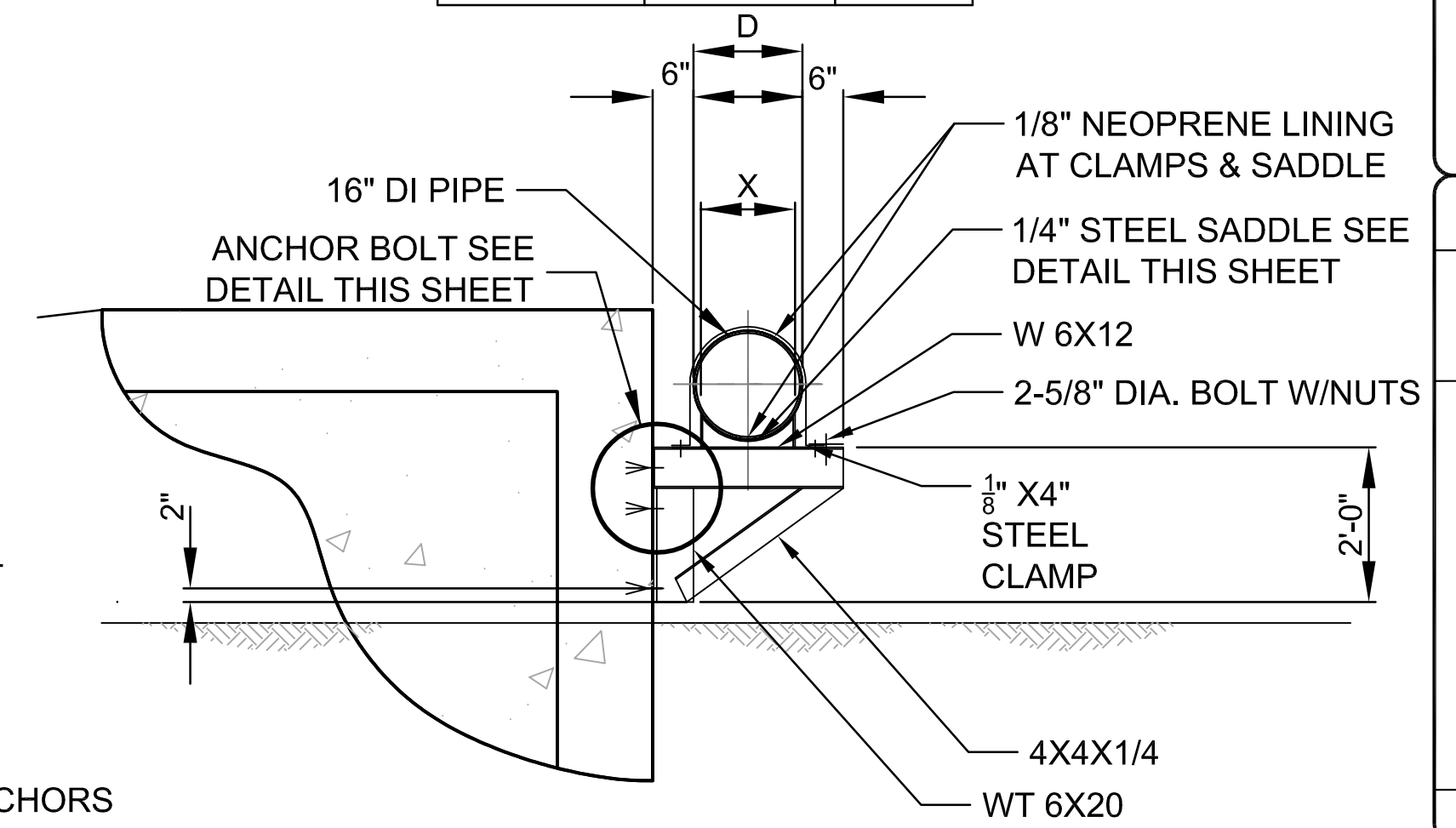
* ALL DIMENSIONS IN INCHES.



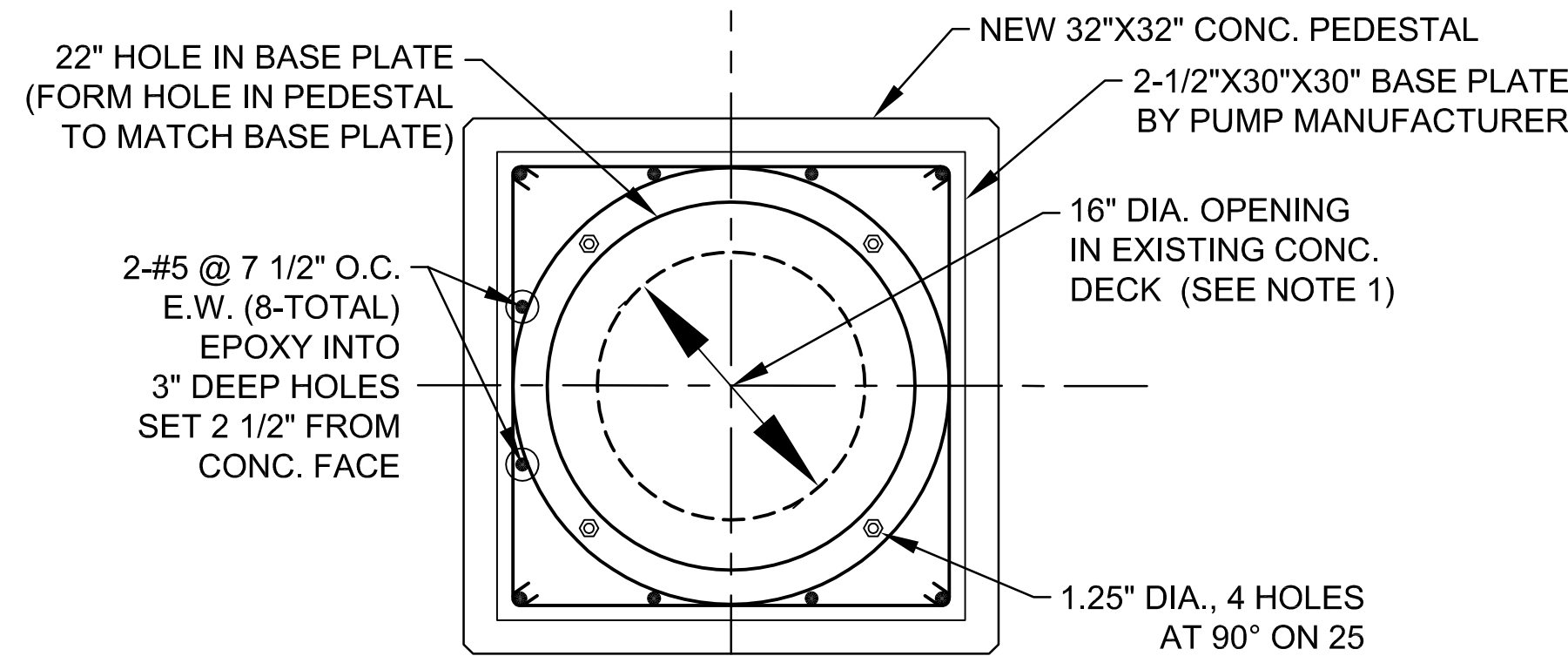
PIPE SUPPORT ADJUSTABLE DETAIL
NOT TO SCALE

STEEL PIPE DIMENSIONS

DIAMETER "D" INCHES	SADDLE LENGTH "X" INCHES	WIDTH "W"
30	32	3
16	18	3
8	12	3

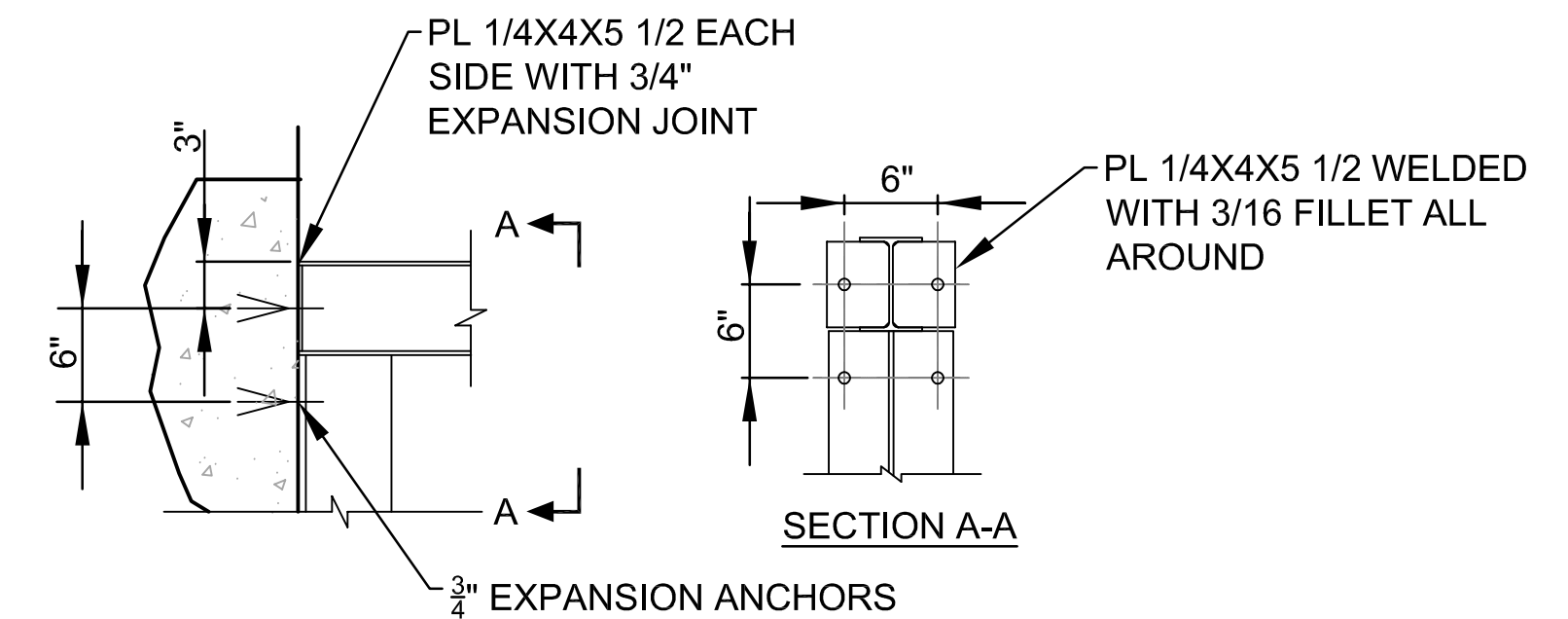


PIPE SUPPORT BRACKET DETAIL
NOT TO SCALE

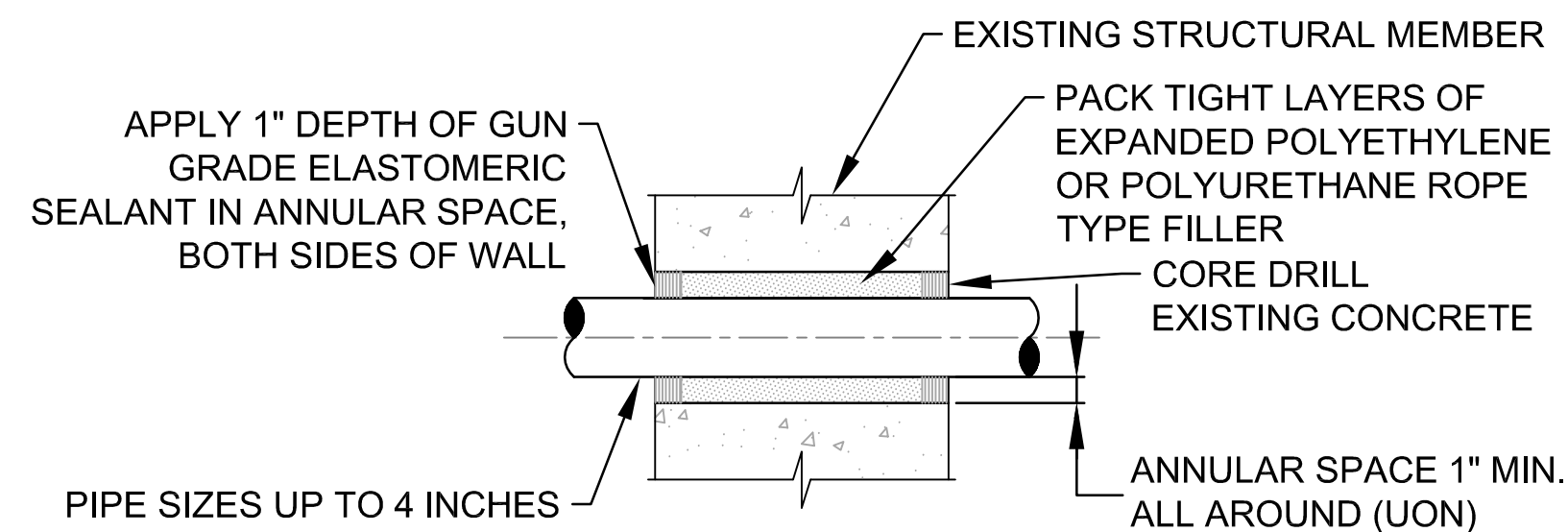


- PUMP COLUMN CENTER SHALL BE SET TO MATCH EXISTING PUMPS NO. 2 - NO. 4

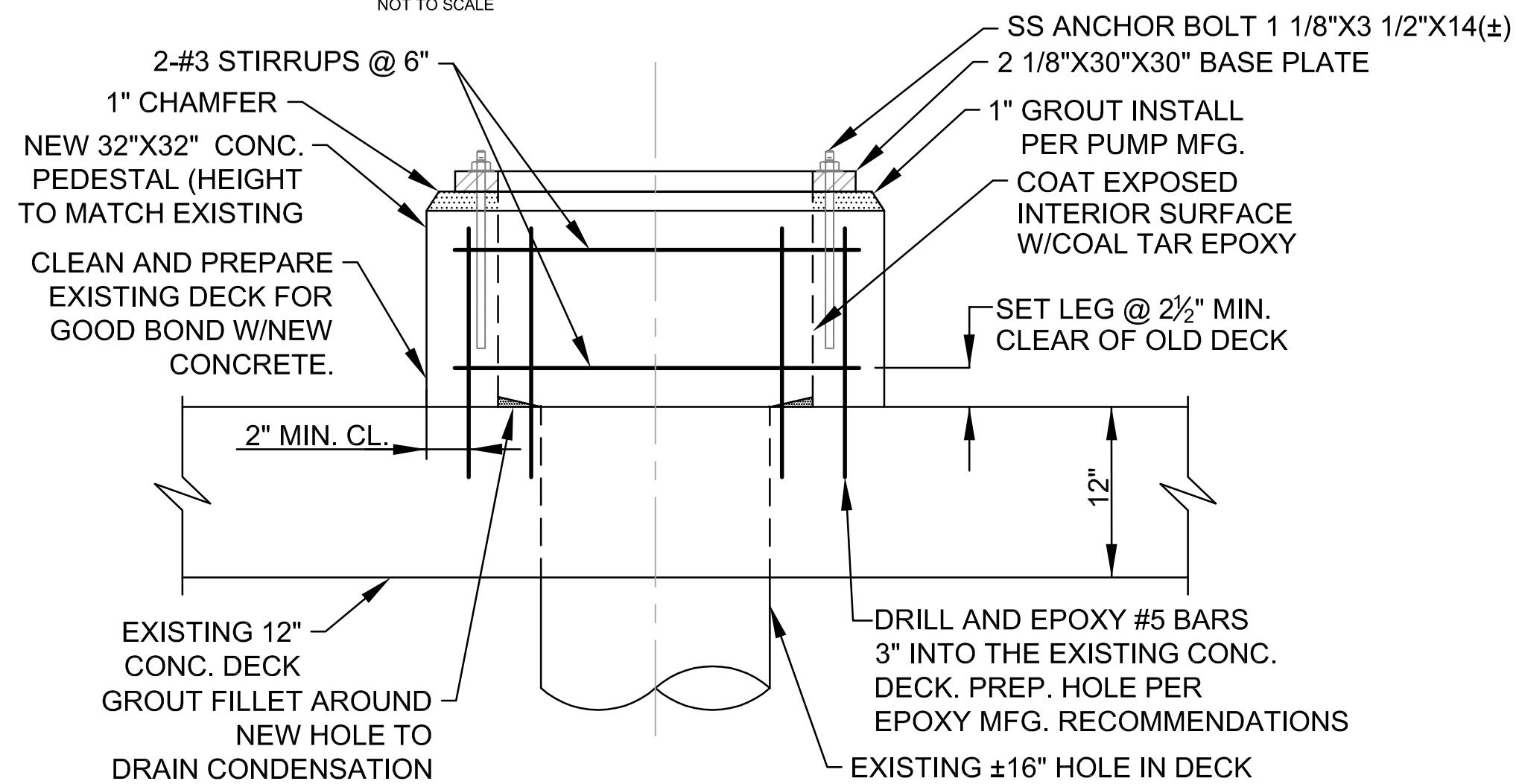
PUMP BASE PLATE DETAIL
NOT TO SCALE



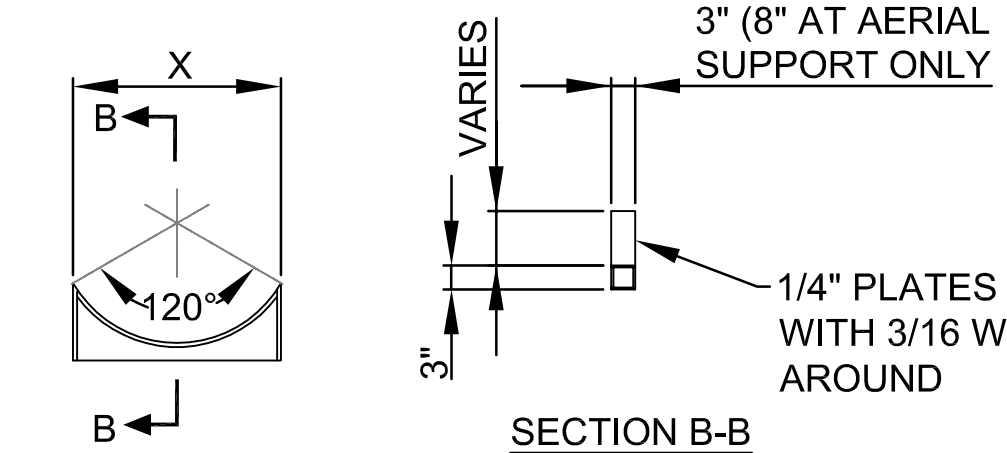
ANCHOR BOLT DETAIL
NOT TO SCALE



PENETRATION SEAL CONC. WALL OR FLOOR FOR SMALL DIA.
NOT TO SCALE



PUMP PEDESTAL DETAIL
NOT TO SCALE



SADDLE DETAIL
NOT TO SCALE

cph A Full Service A & E Firm

Architects M / E / P
Engineers Planners
Environmental Surveyors
Landscape Architects Traffic/Transportation

5601 Mariner Street Tampa, FL 33609
Phone: 813.288.0233
www.cphcorp.com

Eng. C.O.A. No. 3215 Arch. Lic. No. AA2600926
Survey L.B. No. 7143 Landscape Lic. No. LC0000298

J & A Associates
Engineers and Managers, Inc.
4900 Manatee Avenue West, Suite 203
Bradenton, FL, 34209
Phone 941-254-7901 Fax 941-254-7902
© 2014 J&A ASSOCIATES ENGINEERS AND MANAGERS, INC.

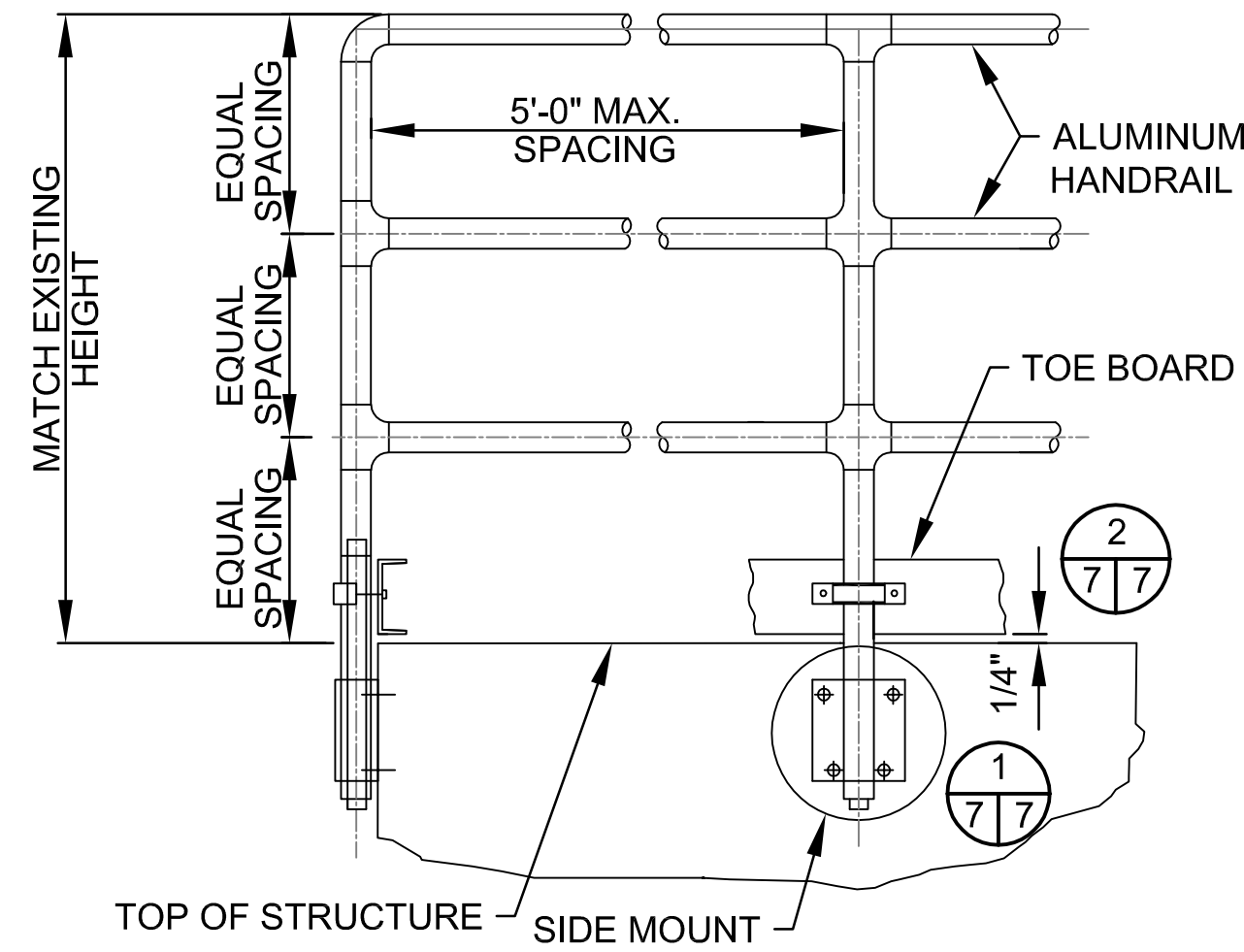
Howard F. Current AWTP
Reclaimed Water Pump
Station Improvements
(Atlas K-13)

MISCELLANEOUS DETAILS

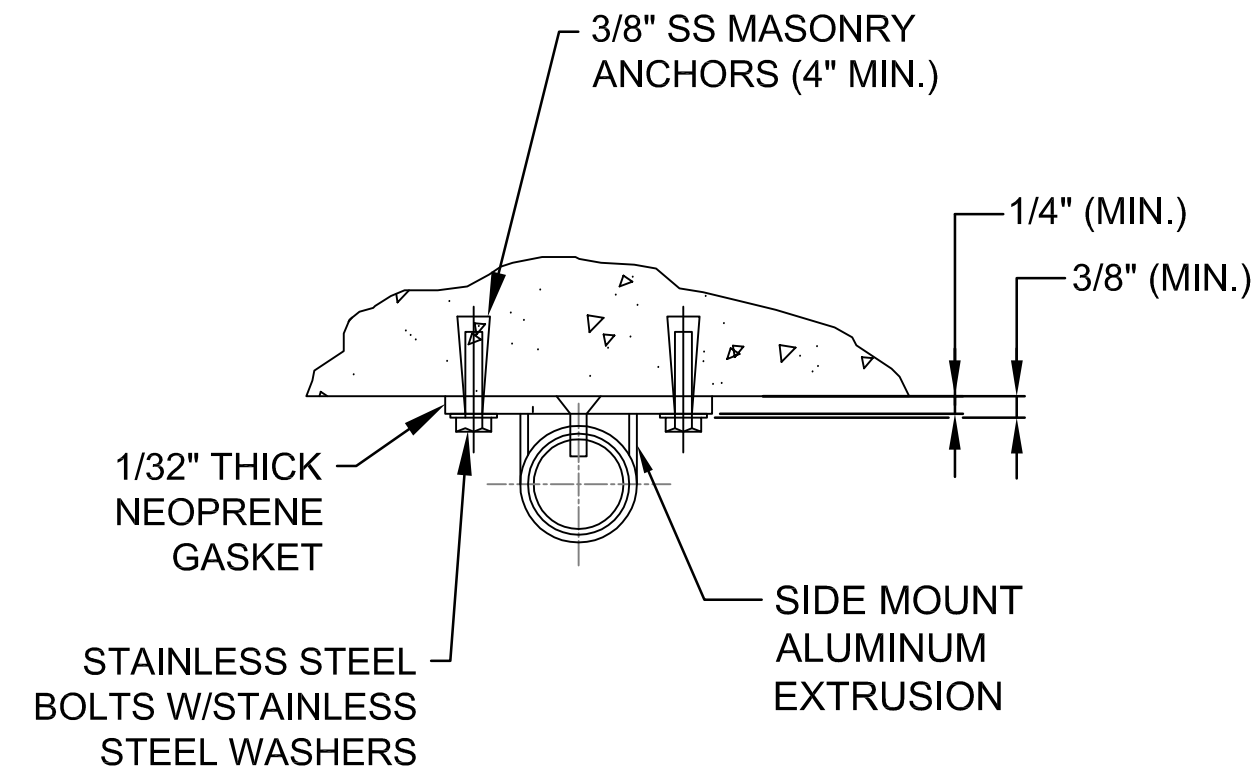
DATE: 01/13/2014
PROJECT NUMBER: JA13-08AWC
SHEET NUMBER: 6

This document, together with the concepts and designs presented herein, is intended only for the specific purpose and client for which it was prepared. Reuse of and improper reliance on this document without written authorization and adaptation by J&A Associates shall be without liability to J&A Associates. Drafted by Charles Bailey, Creative CAD Source, 841.876.3004, www.creativecadsource.com

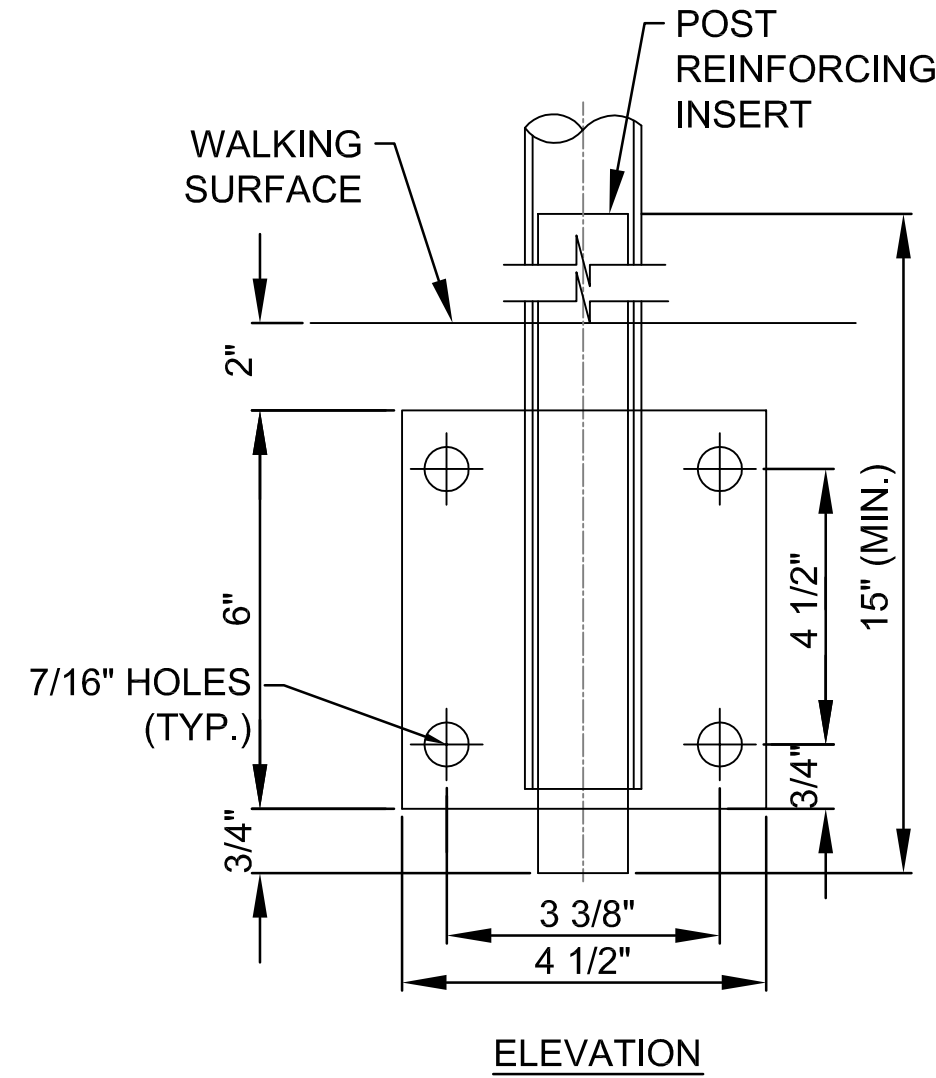
This document, together with the concepts and designs presented herein, is intended only for the specific purpose and client for which it was prepared. Reuse of and improper reliance on this document without written authorization and adaptation by J&A Associates shall be without liability to J&A Associates. Drafted by Charles Bailey, Creative CAD Source, 841.876.3004, www.creativecadsource.com



HANDRAIL DETAIL
NOT TO SCALE

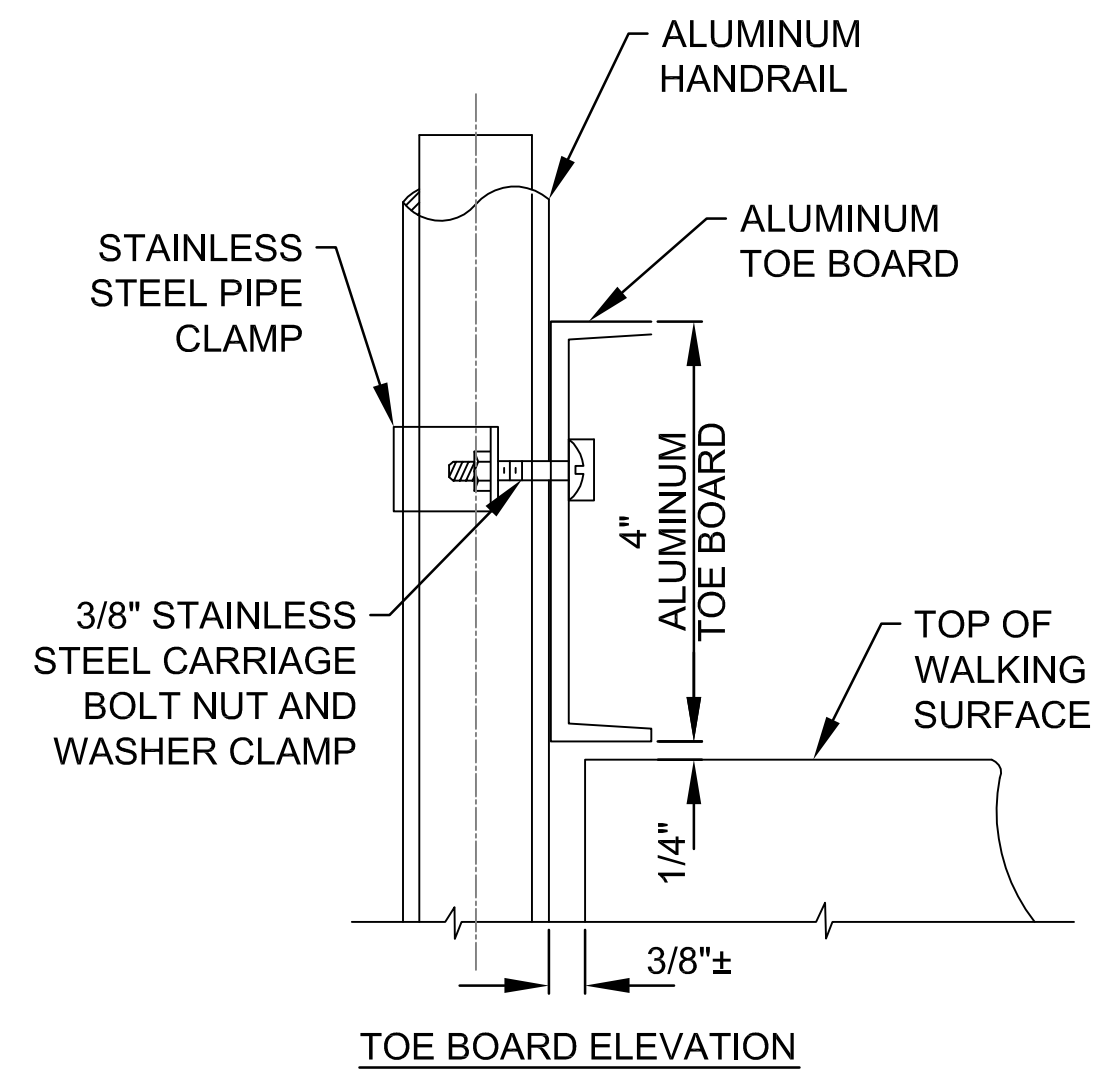


HANDRAIL PLAN VIEW
NOT TO SCALE



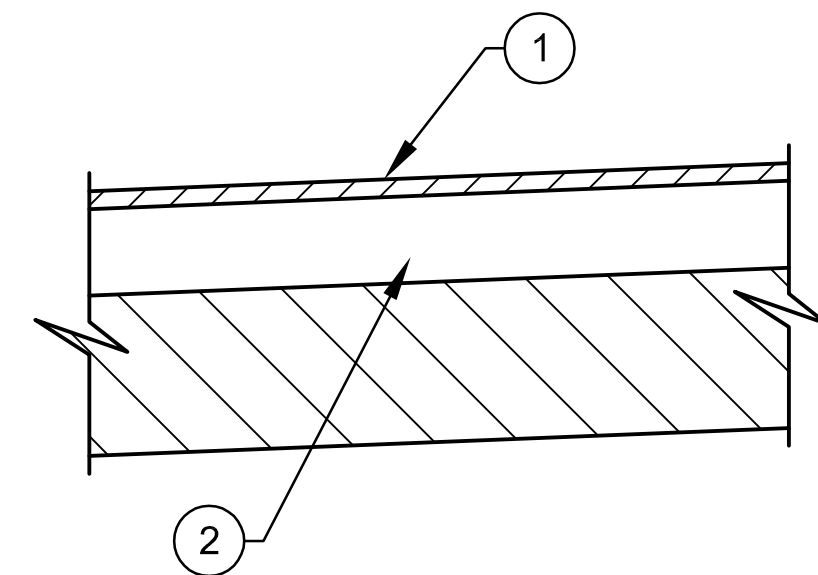
SIDE MOUNT DETAIL
NOT TO SCALE

1
7/7



TOE BOARD DETAIL
NOT TO SCALE

2
7/7



PAVEMENT DESIGN

- 1 1-3/4" SUPERPAVE 12.5 ASPHALT
- 2 12" CRUSHED CONCRETE
NOTE: BACKFILL AND SUBGRADE SHALL BE IN COMPACTED IN 12" LIFTS TO 98% OF MDD AS DETERMINED BY AASHTO T-180.

TYPICAL PAVEMENT SECTION
NOT TO SCALE

cph A Full Service A & E Firm

Architects M / E / P
Engineers Planners
Environmental Surveyors
Landscape Architects Traffic/Transportation

5601 Mariner Street Tampa, FL 33609
Phone: 813.288.0233
Licenses:
Eng. C.O.A. No. 3215 Arch. Lic. No. AA2600926
Survey L.B. No. 7143 Landscape Lic. No. LC0000298

MISCELLANEOUS DETAILS

Howard F. Current AWTP
Reclaimed Water Pump
Station Improvements
(Atlas K-13)

J&A Associates
Engineers and Managers, Inc.
4900 Manatee Avenue West, Suite 203
Bradenton, FL, 34209
Phone 941-254-7901 Fax 941-254-7902
© 2014 J&A ASSOCIATES ENGINEERS AND MANAGERS, INC.

NO.	REVISIONS	DATE	BY

PROFESSIONAL ENGINEER:
SCALE SHOWN: AS SHOWN
DESIGNED BY: WWW
DRAWN BY: GCM
CHECKED BY: SNF
DATE: ASHLEY A. NIELE, PE
LICENSE NUMBER: 66476

DATE: 01/13/2014
PROJECT NUMBER: JA13-08AWC
SHEET NUMBER: 7

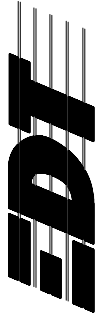
ELECTRICAL LEGEND

SYMBOL	DESCRIPTION	SYMBOL	DESCRIPTION
	FLUORESCENT FIXTURE - CEILING MNTD., F1 INDICATES FIXTURE TYPE.		CONDUIT IN SLAB OR BURIED
	FLUORESCENT FIXTURE - WALL MNTD., F2 INDICATES FIXTURE TYPE.		CONDUIT CONCEALED IN CLG. OR WALL
	FLUORESCENT STRIP FIXTURE, F3 INDICATES FIXTURE TYPE.		CONDUIT EXPOSED
	INCAND., LED OR HID FIXTURE - CEILING MNTD., F4 INDICATES FIXTURE TYPE.		TELEPHONE CONDUIT CONCEALED IN CLG. OR WALL
	INCAND., LED OR HID FIXTURE - WALL MNTD., F5 INDICATES FIXTURE TYPE.		TELEPHONE CONDUIT IN SLAB OR UNDERGROUND
	INCAND. EMERGENCY LIGHT, MNTD. 18" BELOW CLG., F6 INDICATES FIXTURE TYPE.		OVERHEAD PRIMARY FEEDER
	EXIT LIGHT - TOP MNTD., F7 INDICATES FIXTURE TYPE.		UNDERGROUND PRIMARY FEEDER
	EXIT LIGHT - BACK MNTD., F8 INDICATES FIXTURE TYPE.		CONDUIT CONCEALED IN CLG. OR WALL - UP
	SINGLE POLE SWITCH 20A, 120/277V, CTR. @ 50" AFF.		CONDUIT CONCEALED IN CLG. OR WALL - DOWN
	DOUBLE POLE SWITCH 20A, 120/277V, CTR. @ 50" AFF.		120V, 1 ϕ CIRCUIT HOMERUN TO 1-POLE BRKR.
	THREE-WAY SWITCH 20A, 120/277V, CTR. @ 50" AFF.		277V, 1 ϕ CIRCUIT HOMERUN TO 1-POLE BRKR.
	FOUR-WAY SWITCH 20A, 120/277V, CTR. @ 50" AFF.		240V OR 480V, 1 ϕ CIRCUIT HOMERUN TO 2-POLE BRKR.
	INCAND. ROTARY DIMMER, CTR. @ 50" AFF.		208V OR 480V, 3 ϕ CIRCUIT HOMERUN TO 3-POLE BRKR.
	KEY OPERATED SWITCH, CTR. @ 50" AFF.		BRANCH CIRCUIT PANELBOARD, TOP @ 6"-0" AFF.
	MANUAL MOTOR STARTER w/ THERMAL OVERLOAD ELEMENTS, CTR. @ 50" AFF.		MAIN DISTRIBUTION PANELBOARD OR SWITCHBOARD
	SWITCH WITH PILOT LIGHT 20A, 120/277V, CTR. @ 50" AFF.		HEAVY DUTY SAFETY SWITCH, 60A, 3-POLE, FUSED @ 40A, TOP @ 6"-0" AFF.
	20A, 125V, 3-WIRE DUPLEX GROUNDING RECEPT., CTR. @ 18" AFF.		COMBINATION DISCONNECT & MAGNETIC MOTOR STARTER
	20A, 125V, 3-WIRE GROUNDING DUPLEX RECEPT., CTR. @ 50" AFF OR 4" ABOVE COUNTER.		MOTOR, 100 HP, 460 VAC, 3 ϕ
	20A, 125V, 3-WIRE SINGLE GROUNDING RECEPT., CTR. @ 18" AFF.		EMERGENCY GENERATOR, 2000 KVA.
	20A, 125V, 3-WIRE DUPLEX RECEPT. FED FROM DEDICATED CIRCUIT.		NEMA SIZED MOTOR STARTING CONTACTOR w/ 120 VAC COIL & MOTOR OVERLOAD ELEMENTS SIZED w/ MOTOR NAMEPLATE DATA.
	3-WIRE DUPLEX RECEPT., TOP SWITCHED 20A, 125V, 3-WIRE QUADRUPLX GROUNDING.		STEP-DOWN TRANSFORMER, RATING AS INDICATED ON DRAWINGS.
	20A, 125V, 3-WIRE, QUADRUPLX GROUNDING RECEPTACLE.		POWER COMPANY METER, RATING AS INDICATED ON DRAWINGS. CENTER METER 4"-6" ABOVE FINISHED GRADE.
	20A, 125V, 3-WIRE DUPLEX FLOOR MNTD. RECEPT.		KEYED NOTE SYMBOL, REFERENCE KEYED NOTE #3.
	50A, 250V, 3-WIRE RANGE RECEPT.		CIRCUIT BREAKER, 3P, 50A
	30A, 250V, 4-WIRE GROUNDING RECEPT.		PUSH BUTTON STATION
	SPECIAL PURPOSE RECEPT., RATING AS SHOWN.		UNION & SEALING FITTING, SIZED PER CONDUIT.
	15A, 250V, 3-WIRE GROUNDING, SINGLE RECEPTACLE.		LED PILOT LIGHT, PUSH TO TEST, x INDICATES COLOR, G=GREEN, R=RED, B=BLUE, A=AMBER
	20A, 125V, 3-WIRE QUADRUPLX GROUNDING RECEPTACLE, FLOOR MNTD.		LED PILOT LIGHT, x INDICATES COLOR, G=GREEN, R=RED, B=BLUE, A=AMBER
	OUTLET BOX w/ BLANK COVER. FLOOR MNTD.		ALARM STROBE
	JUNCTION BOX - SIZED PER NEC		AUDIBLE ALARM HORN
	EMERGENCY SHUTDOWN SWITCH 20A 120/277V, CTR. @ 72" AFF.		TERMINAL FOR CONNECTION TO FIELD DEVICE
	4" SQ. OUTLET BOX WITH BLANK COVER, CTR. @ 18" AFF.		PLC TERMINAL CONNECTION
	4" SQ. TELEPHONE WALL OUTLET, CTR. @ 18" AFF.		R2 - RELAY COIL
	TELEPHONE OUTLET, FLOOR MNTD.		R2 - RELAY CONTACT, NORMALLY OPEN
	4" SQ. TELEVISION OUTLET, CTR. @ 18" AFF.		R2 - RELAY CONTACT, NORMALLY CLOSED
	MAGNETIC MOTOR STARTER		SOLENOID VALVE
	HORSEPOWER RATED MANUAL STARTER		
	STEP-DOWN, DRY-TYPE TRANSFORMER		
	MOTOR OPERATED VALVE		
	WELD, BY EXOTHERMIC WELD PROCESS (CADWELD), CONNECTION POINT.		
	DOWN CONDUCTOR TO GROUND ROD		

ABBREVIATIONS

\emptyset	PHASE	LA	LIGHTNING ARRESTER
3P	3 POLE	LPG	LIGHTING PANEL "G"
A	AMPERE	LTG	LIGHTING
ABV	ABOVE	MACH	MACHINE
AF	AMPERE FRAME	MCB	MAIN CIRCUIT BREAKER
AFD	ADJUSTABLE FREQUENCY DRIVE	MCC	MOTOR CONTROL CENTER
AFF	ABOVE FINISHED FLOOR	MECH	MECHANICAL
AFG	ABOVE FINISHED GRADE	MFR.	MANUFACTURER
AIC	AMPERE INTERRUPTING CAPACITY	MGD	MILLION GALLONS PER DAY
AT	AMPERE TRIP	MIN.	MINIMUM
ATS	AUTOMATIC TRANSFER SWITCH	MLO	MAIN LUGS ONLY
AWG	AMERICAN WIRE GAUGE	MNT.	MOUNT
BLDG.	BUILDING	MNTD.	MOUNTED
BRKR.	BREAKER	MNTG.	MOUNTING
C.	CONDUIT	MSH	MOTOR SPACE HEATER
c/w	COMPLETE WITH	N.C.	NORMALLY CLOSED
CAB	CABINET	NEC	NATIONAL ELECTRICAL CODE
CAT. NO.	CATALOG NUMBER	NEMA	NATIONAL ELECTRICAL MANUFACTURERS ASSOCIATION
CB	CIRCUIT BREAKER	NEUT.	NEUTRAL
CKT.	CIRCUIT	NF	NON-FUSED
CLG.	CEILING	N.O.	NORMALLY OPENED
CM	CENTIMETER	NO.	NUMBER
CO	CONDUIT ONLY	NTS	NOT TO SCALE
CO.	COMPANY	PB	PUSH BUTTON
COORD.	COORDINATE	PLC	PROGRAMMABLE LOGIC CONTROLLER
CT	CURRENT TRANSFORMER	PMR	PHASE MONITOR RELAY
CTR.	CENTER	PNL	PANEL
CTRD.	CENTERED	PPX	POWER PANEL "X"
DEG.	DEGREE	PT.	POINT
DIA.	DIAMETER	PVC	POLYVINYL CHLORIDE
DISC	DISCONNECT	PWR	POWER
DN	DOWN	RECEPT.	RECEPTACLE
DWG	DRAWING	REQ'D.	REQUIRED
EC	EMPTY CONDUIT	RTD	RESISTANCE TEMPERATURE DETECTOR
ELEC	ELECTRICAL, ELECTRIC	RTU	REMOTE TELEMETRY UNIT
ELEV	ELEVATOR	RVSSS	REDUCED VOLTAGE SOLID STATE STARTER
EM	EMERGENCY	RWHSP	RECLAIMED WATER HIGH SERVICE PUMP
EMT	ELECTRICAL METALLIC TUBING	SA	SURGE ARRESTER
EO	ELECTRICALLY OPERATED	SCADA	SUPERVISORY CONTROL AND DATA ACQUISITION
EQUIP	EQUIPMENT	SPD	SURGE PROTECTIVE DEVICE
ESD	EMERGENCY SHUTDOWN	SS	STAINLESS STEEL
EX	EXISTING	SW	SWITCH
EXH	EXHAUST	SWBD	SWITCHBOARD
FEMA	FEDERAL EMERGENCY MANAGEMENT AGENCY	TELE	TELEPHONE
F	FUSE	THRU	THROUGH
FA	FIRE ALARM	TR	TRIP
FL	FLOOR	TVSS	TRANSIENT VOLTAGE SURGE SUPPRESSOR
FLA	FULL LOAD AMPERES	TYP.	TYPICAL
FTS	FLOAT TEST SWITCH	UG	UNDERGROUND
FUT	FUTURE	U.O.N.	UNLESS OTHERWISE NOTED
GFCI	GROUND FAULT CIRCUIT INTERRUPTER	UPS	UNINTERRUPTIBLE POWER SUPPLY
GND.	GROUND	V	VOLT
HOA	HAND OFF AUTO	VAC	VOLTS ALTERNATING CURRENT
HP	HORSEPOWER	W	WIRE
HT	HEIGHT	w/	WITH
IG	ISOLATED GROUND	WP	WEATHERPROOF
JB, JBOX	JUNCTION BOX	XFMR	TRANSFORMER
KCMIL	1000 CIRCULAR MILS		
KVA	KILOVOLT AMPERES		
KW	KILOWATTS		

ENGINEER OF RECORD:
 BOB E. HALLMAN, P.E.
 FLORIDA REGISTRATION NO. 20761



P.O. Box 152403
 Tampa, FL 33604-2403
 813.282.9184 FAX
 813.282.9184
 eng@edt1.com

**HFC AWTP RCW
 PUMP STATION
 IMPROVEMENTS
 (ATLAS K-13)**

DATE: 01/06/2014
 PROJECT NUMBER: 31021JA
 SHEET NUMBER: E-1

LEGEND & ABBREVIATIONS

SCALE:
 DESIGNED BY: STK
 DRAWN BY: RWB
 CHECKED BY: BET

PROFESSIONAL ENGINEER:
 BOB E. HALLMAN, P.E.
 REGISTRATION NO. 20761
 DATE:

NO.	REVISIONS	DATE	BY

J & A Associates
 Engineers and Managers, Inc.
 4900 Manatee Avenue West, Suite 203
 Bradenton, FL, 34209
 Phone 941-254-7901 Fax 941-254-7902
 © 2012 J&A ASSOCIATES ENGINEERS AND MANAGERS, INC.

GENERAL NOTES:

1. CONTRACTOR SHALL SUBMIT SHOP DRAWINGS FOR APPROVAL AND SHALL RECEIVE SAID APPROVAL PRIOR TO PURCHASING EQUIPMENT OR COMMENCING CONSTRUCTION.
2. ALL SHOP DRAWINGS SUBMITTED TO ENGINEER FOR APPROVAL SHALL BE ORIGINAL COPIES. COPIES OF SHOP DRAWINGS OR DATA SHEETS TRANSMITTED BY FACSIMILE (FAX) WILL NOT BE REVIEWED.
3. THE EXISTING RECLAIMED WATER PUMPS SHALL REMAIN IN SERVICE. THE DEMOLITION AND REMOVAL OF THE EXISTING EQUIPMENT SHALL BE ACCOMPLISHED AS NOT TO INTERRUPT RECLAIMED WATER SERVICE, WITHOUT PROPER NOTIFICATION AND COORDINATION.
4. SHIELD AND DRAIN WIRE FOR EACH ANALOG SIGNAL (4–20 mA) CABLE SHALL BE GROUNDED AT THE PLC ONLY. THE SHIELD AND DRAIN WIRE AT EACH FIELD DEVICE SHALL BE NEATLY TRIMMED & TAPED w/ (2) LAYERS OF VINYL ELECTRICAL TAPE (SCOTCH 33+).
5. ALL CONDUCTORS SHALL BE STRANDED COPPER, #12 AWG MIN. w/ THHN INSULATION, UNLESS OTHERWISE NOTED.
6. ALL CONTROL PANEL CONTROL WIRING SHALL BE THHN INSULATED, STRANDED COPPER #16 AWG MIN. UNLESS OTHERWISE NOTED.
7. ALL WIRING SHALL BE IDENTIFIED w/ NUMBERS AT ALL TERMINALS AND ON WIRING DIAGRAMS. MARKERS SHALL BE THOMAS & BETTS INSTA-CODE CLIP-ON MARKERS OR APPROVED EQUAL.
8. ALL CIRCUITS SHALL HAVE GROUNDING CONDUCTORS ROUTED INSIDE THE CONDUIT w/ POWER CONDUCTORS.
9. ALL POWER CONDUCTORS AND MOTOR WINDINGS SHALL BE TESTED WITH A 600 VOLT INSULATION RESISTANCE TESTER "MEGGER". INSULATION READINGS SHALL BE A MINIMUM OF 20 MEGOHMS TO GROUND (DO NOT TEST LOW-VOLTAGE CONTROLS). INSULATION READINGS THAT ARE LESS THAN 20 MEGOHMS SHALL REQUIRE THE REPLACEMENT OF THE CONDUCTOR OR MOTOR AS APPLICABLE.
10. NEATLY COIL & TAPE SPARE CONDUCTORS w/ VINYL ELECTRICAL TAPE (SCOTCH 33+) U.O.N.
11. ALL CONDUCTOR LENGTHS SHALL BE CONTINUOUS. NO SPLICES OR CONDUCTOR TERMINATIONS SHALL BE PERMITTED UNLESS SPECIFICALLY DESIGNATED IN THE DRAWINGS.
12. LIQUIDTIGHT FLEXIBLE NON-METALLIC CONDUIT CONNECTIONS TO EACH MOTOR SHALL NOT EXCEED A LENGTH OF 18".
13. ALL THREADED CONNECTIONS SHALL BE COATED w/ COPPER SHIELD ANTI-SEIZE COMPOUND MANUFACTURED BY THOMAS & BETTS (T & B).
14. ALL UNDERGROUND CONDUITS SHALL BE BURIED w/ A MINIMUM OF 24" COVER UNLESS OTHERWISE NOTED.
15. CONDUIT ROUTING SHOWN IS DIAGRAMMATIC UNLESS OTHERWISE NOTED. CONTRACTOR SHALL OPTIMIZE THE CONDUIT ROUTING, TAKING INTO ACCOUNT THE FIELD CONDITIONS AND THE FINAL EQUIPMENT SELECTED AND APPROVED IN THE SUBMITTALS.
16. PULL BOXES SHALL BE INSTALLED AS NECESSARY TO FACILITATE WIRE PULLS AND TO AVOID EXCESSIVE PULLING TENSION ON WIRING. IN NO CASE SHALL CONDUIT LENGTHS EXCEED 150' OR THE EQUIVALENT OF FOUR QUARTER BENDS (360 DEGREES TOTAL) WITHOUT A PULL BOX. PULL BOXES SHALL BE SIZED IN ACCORDANCE WITH ARTICLE 314 OF THE NEC.
17. PROVIDE PVC SLEEVES FOR ALL METALLIC CONDUIT PENETRATIONS THROUGH CONCRETE. WHERE ALUMINUM SURFACES SUCH AS BOXES, CONDUIT OR STRUCTURAL SUPPORTS COME IN CONTACT WITH INCOMPATIBLE METALS, LIME, MORTAR, CONCRETE OR OTHER MASONRY MATERIALS, THE CONTACT AREA SHALL BE GIVEN ONE FIELD COAT OF KOPPERS METAL PASSIVATOR NO. 40 AND ONE COAT OF KOPPERS BITUMASTIC SUPER SERVICE BLACK OR TWO COATS OF ASPHALT VARNISH CONFORMING TO FED. SPEC. TT-V-51.
18. ALL CONDUIT TRENCHES SHALL BE DUG BY HAND TO AVOID DAMAGING UNDERGROUND PIPING AND UTILITIES.
19. ALL UNDERGROUND CONDUITS SHALL BE ENCASED IN STEEL REINFORCED CONCRETE. CONCRETE ENCASEMENT SHALL BE IN ACCORDANCE w/ THE DUCT BANK DETAIL.
20. THE CONTRACTOR SHALL REPLACE ALL EXISTING PAVING, STABILIZED EARTH, CURBS, DRIVEWAYS, FENCES & OTHER IMPROVEMENTS WITH THE SAME TYPE OF MATERIAL THAT WAS REMOVED DURING CONSTRUCTION OR AS DIRECTED BY THE ENGINEER.

21. CONTRACTOR SHALL MAINTAIN A CLEAR PATH FOR ALL SURFACE WATER DRAINAGE STRUCTURES & DITCHES DURING ALL PHASES OF CONSTRUCTION.
22. ALL CONDUIT SHALL BE SUPPORTED AT MAXIMUM 5'-0" INTERVALS.
23. ALL FASTENING AND MOUNTING HARDWARE SHALL BE 316 SS. CAD PLATED HARDWARE WILL NOT BE ACCEPTED.
24. ALL UNISTRUT SHALL BE 1 5/8" x 1 5/8" x 12 GA. 316 STAINLESS STEEL.
25. CONTRACTOR SHALL FIELD VERIFY ALL MECHANICAL EQUIPMENT SIZES AND RATINGS PRIOR TO CONNECTING.
26. CONTRACTOR SHALL FIELD VERIFY ALL EQUIPMENT LOCATIONS AND CONNECTIONS PRIOR TO COMMENCING CONSTRUCTION.
27. ALL PANELS, PANEL COMPONENTS, DISCONNECTS, SWITCHES & EQUIPMENT COVERPLATES SHALL BE LABELED w/ NAMEPLATES. NAMEPLATES SHALL BE THREE PLY PHENOLIC BLACK-WHITE-BLACK ENGRAVED THROUGH THE FIRST BLACK LAYER. LETTERING SHALL BE 0.5 CM (3/16") MIN. EDGES OF NAMEPLATES SHALL BE BEVELED 45°. THE NAMEPLATES SHALL BE SECURED TO EQUIPMENT WITH STAINLESS STEEL SCREWS OR RIVETS. THE USE OF GLUE IS NOT PERMITTED.
28. ALL INSTALLED COMPONENTS SHALL BE LISTED BY UNDERWRITERS LABORATORY (UL), OR SIMILAR NATIONALLY RECOGNIZED TESTING LABORATORY.
29. ALL EQUIPMENT SHALL BE INSTALLED AT AN ELEVATION ABOVE THE FLOODPLAIN ESTABLISHED BY FEMA AND/OR LOCAL AUTHORITIES.
30. REFERENCE PLAN & SECTION DRAWINGS FOR EQUIPMENT LOCATIONS.
31. COORDINATE ALL INSTALLATIONS w/ ALL OTHER TRADES.
32. THE CONTRACTOR SHALL NOTIFY THE ENGINEER IMMEDIATELY WHEN CONFLICTS BETWEEN DRAWINGS & ACTUAL CONDITIONS ARE DISCOVERED.
33. ALL "AS BUILT" DRAWINGS PROVIDED BY THE CONTRACTOR SHALL BE SIGNED AND DATED WITH CHANGES CLEARLY NOTED IN RED. ADDITIONALLY, THE PRINTED NAME OF THE INDIVIDUAL SIGNING THE "AS BUILT" DRAWINGS ALONG WITH THAT PERSON'S COMPANY AFFILIATION SHALL BE INCLUDED. IF NO CHANGES WERE MADE DURING CONSTRUCTION, A NOTE DESIGNATING "NO CHANGES" SHALL BE INCLUDED ON THE "AS BUILT" DRAWINGS.
34. ALL EXISTING INSTALLATIONS DENOTED ON THE DRAWINGS ARE FOR CONTRACTOR'S REFERENCE ONLY. ALL EXISTING INSTALLATIONS SHALL BE FIELD VERIFIED PRIOR TO SUBMITTING A BID & PRIOR TO COMMENCING CONSTRUCTION.
35. PROVIDE A MINIMUM OF 3'-0" CLEARANCE IN FRONT OF ALL ELECTRICAL EQUIPMENT IN ACCORDANCE w/ ARTICLE 110 OF THE NEC.
36. ALL ELECTRICAL WORK SHALL BE PERFORMED IN ACCORDANCE w/ THE LATEST EDITION OF THE NEC AND APPLICABLE LOCAL ORDINANCES.
37. ALL CONDUITS ROUTED IN CONCRETE SHALL BE INSTALLED WITH A SEPARATION BETWEEN CONDUITS OF NOT LESS THAN 3 DIAMETERS (CENTER-TO-CENTER) & IN ACCORDANCE WITH AMERICAN CONCRETE INSTITUTE STANDARD NO. 318-89.
38. ALL CONDUIT EXPOSED ABOVE GRADE SHALL BE RIGID HEAVY WALL ALUMINUM, UNLESS OTHERWISE NOTED. CONDUITS EXTENDING BELOW GRADE SHALL BE RIGID HEAVY WALL ALUMINUM CONDUIT THROUGH AND INCLUDING THE FIRST 90 DEGREE ELBOW (OR EQUIVALENT SET OF FITTINGS) INSTALLED BELOW GRADE. ALL PVC CONDUIT SHALL BE SCHEDULE 80. CONNECTIONS TO PVC CONDUIT SHALL BE MADE w/ A RIGID ALUMINUM TO PVC CONDUIT ADAPTER.
39. ALL INSTALLATIONS SHALL BE IN ACCORDANCE WITH CITY OF TAMPA CODE 5-111.6.1.5 CITY OF TAMPA CODE CHAPTER 5 ISSUED 10/01/2005.

J & A Associates
 Engineers and Managers, Inc.
 4900 Manatee Avenue West, Suite 203
 Bradenton, FL, 34209
 Phone 941-254-7901 Fax 941-254-7902
 © 2012 J&A ASSOCIATES ENGINEERS AND MANAGERS, INC.

NO.	REVISIONS	DATE	BY

PROFESSIONAL ENGINEER:	BOB E. HALLMAN, P.E. REGISTRATION NO. 20761	DATE:
SCALE:	DESIGNED BY: SJK	DRAWN BY: RWB
	CHECKED BY: BEH	

GENERAL NOTES

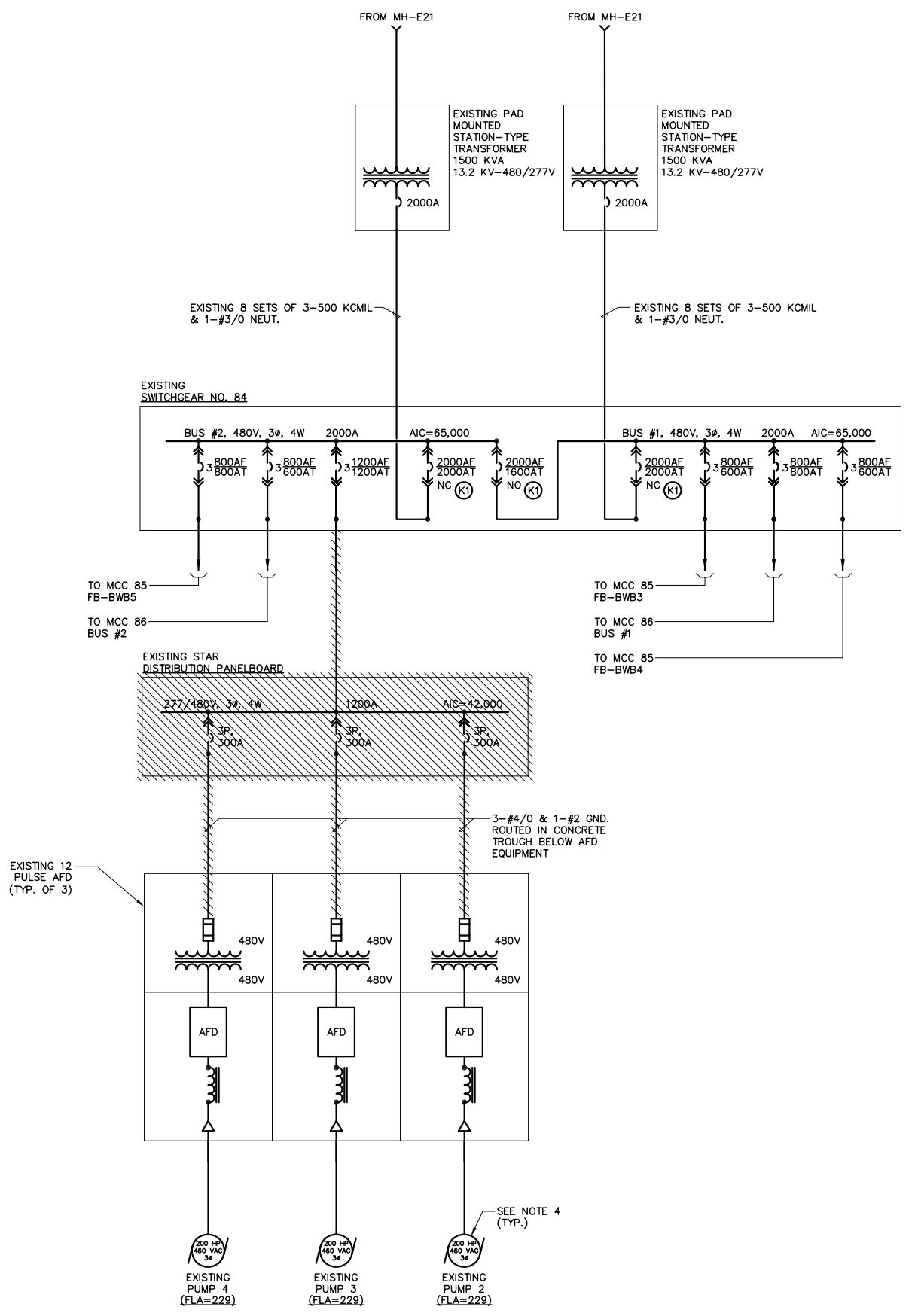
ENGINEER OF RECORD:
 BOB E. HALLMAN, P.E.
 FLORIDA REGISTRATION NO. 20761

EDT
 Engineering Design
 Technologies Corp.
 P.O. Box 152403
 Tampa, FL 33684-2403
 813.282.9184 FAX
 813.282.9184
 eng@edting.com

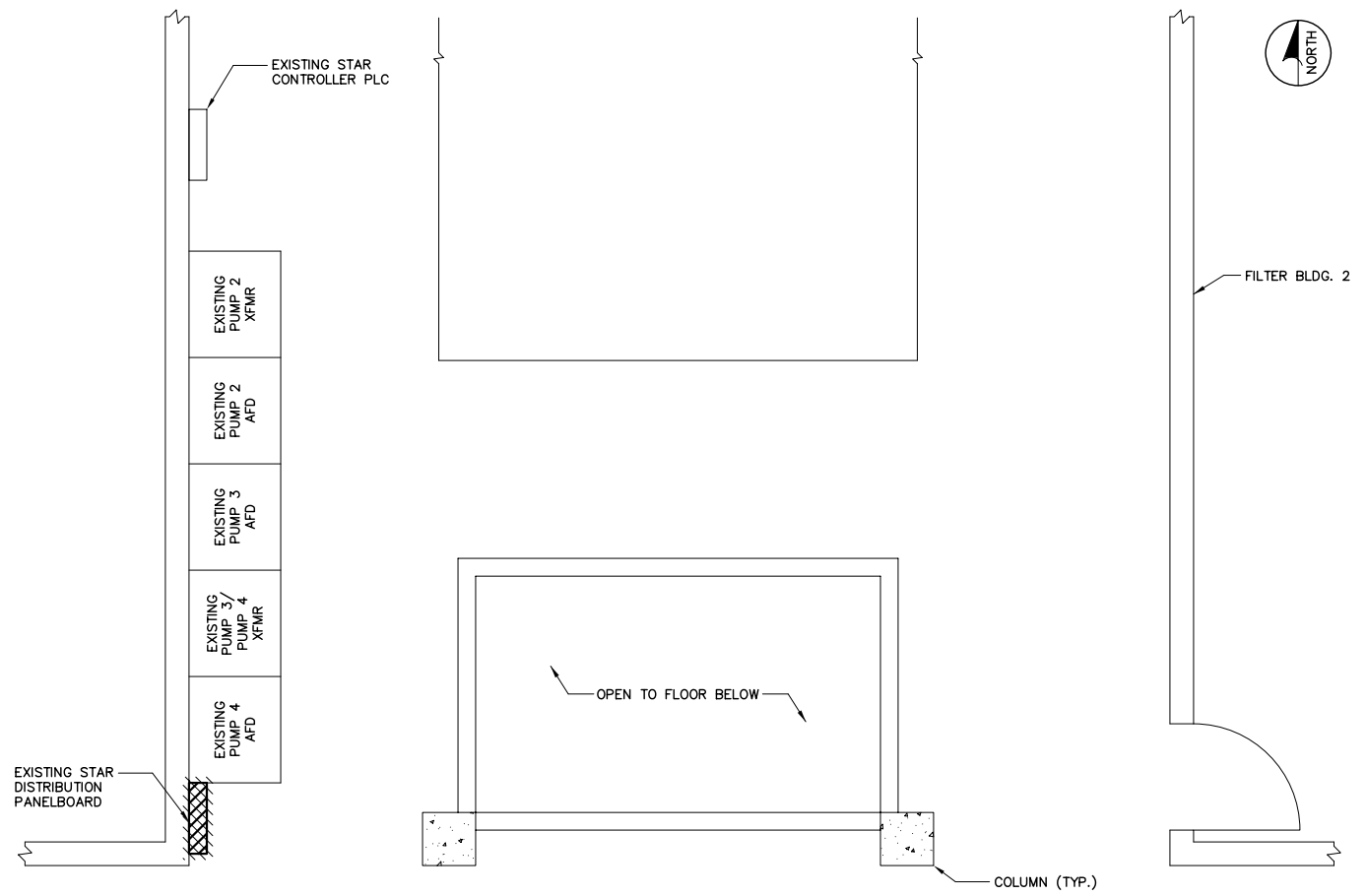
Certificate of Authorization Number: 4795

**HFC AWTP RCW
 PUMP STATION
 IMPROVEMENTS
 (ATLAS K-13)**

DATE	01/06/2014
PROJECT NUMBER	31021JA
SHEET NUMBER	E-2



EXISTING ELECTRICAL ONE-LINE DIAGRAM



ELECTRICAL DEMOLITION PLAN
(PARTIAL PLAN VIEW OF FILTER BLDG. 2)

- NOTES:**
- DENOTES EXISTING EQUIPMENT TO BE REMOVED. ITEM SHALL BE REMOVED FROM PREMISES AND DISPOSED OF PROPERLY. UNLESS OTHERWISE NOTED, REMOVE ALL ASSOCIATED CONDUIT & WIRING CONNECTED TO EQUIPMENT TO BE REMOVED, INCLUDING ABANDONED CONDUIT & WIRING.
 - 1. ALL EQUIPMENT, CONDUIT & WIRING INCLUDED ON THIS DRAWING ARE EXISTING. CONTRACTOR SHALL VISIT THE SITE & FAMILIARIZE HIMSELF WITH THE EXISTING CONDITIONS BEFORE SUBMITTING A BID OR COMMENCING CONSTRUCTION.
 - 2. COORDINATE ALL DEMOLITION ACTIVITIES WITH OWNER AND ALL TRADES.
 - 3. ALL EXISTING INSTALLATIONS DENOTED ON THE DRAWINGS ARE FOR CONTRACTORS REFERENCE ONLY. ALL EXISTING INSTALLATIONS SHALL BE FIELD VERIFIED PRIOR TO SUBMITTING A BID AND PRIOR TO COMMENCING CONSTRUCTION.
 - 4. THE EXISTING RECLAIMED WATER PUMPS SHALL REMAIN IN SERVICE. THE DEMOLITION AND REMOVAL OF THE EXISTING EQUIPMENT SHALL BE ACCOMPLISHED AS NOT TO INTERRUPT RECLAIMED WATER SERVICE, WITHOUT PROPER NOTIFICATION AND COORDINATION.

J & A Associates
Engineers and Managers, Inc.
4900 Manatee Avenue West, Suite 203
Bradenton, FL, 34209
Phone 941-254-7901 Fax 941-254-7902
© 2012 J&A ASSOCIATES ENGINEERS AND MANAGERS, INC.

NO.	REVISIONS	DATE	BY

SCALE:	DESIGNED BY:	DRAWN BY:	CHECKED BY:	PROFESSIONAL ENGINEER:
	STK	RWB	BET	BOB E. HALLMAN, PE REGISTRATION NO. 20761

EXISTING ELECTRICAL ONE-LINE DIAGRAM/DEMOLITION PLAN

Engineering Design Technologies Corp.
P.O. Box 152403
Tampa, FL 33664-2403
813.282.9184 FAX
eng@eedt.com

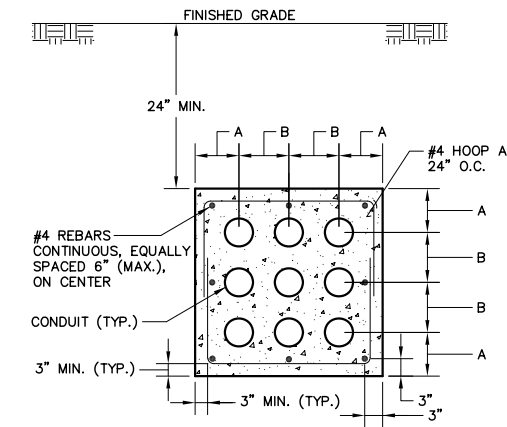
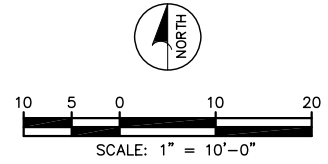
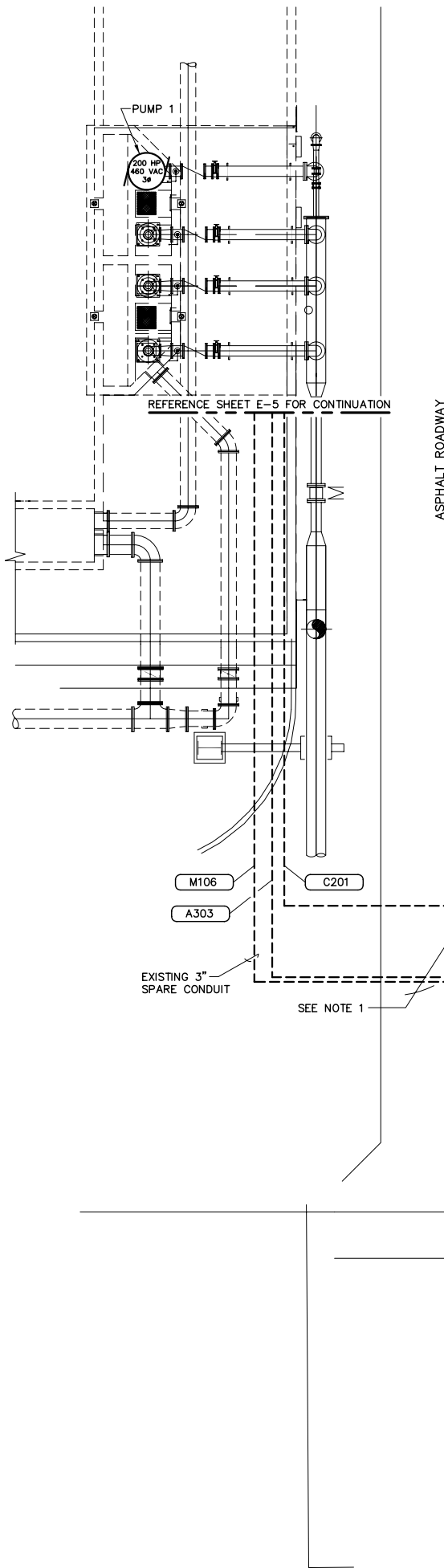
EDT

ENGINEER OF RECORD:
BOB E. HALLMAN, P.E.
FLORIDA REGISTRATION NO. 20761

Certificate of Authorization Number: 4795

HFC AWTP RCW PUMP STATION IMPROVEMENTS (ATLAS K-13)

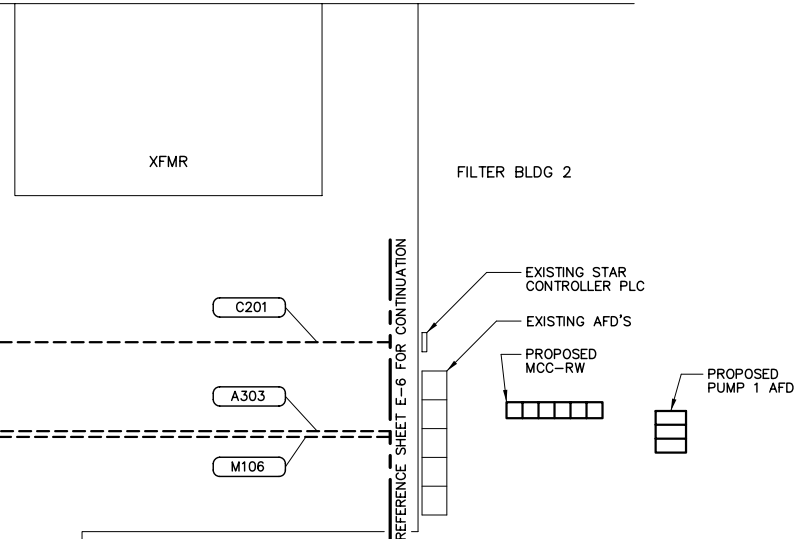
DATE: 01/06/2014
PROJECT NUMBER: 31021JA
SHEET NUMBER: **E-3**



- NOTES:**
1. CONCRETE SHALL BE 3000 PSI. MINIMUM COMPRESSION STRENGTH.
 2. TOP OF DUCT BANK SHALL BE DYED RED.
 3. TOP OF DUCT BANK SHALL BE 24" BELOW FINISHED GRADE.
 4. 4" CONDUIT BEND RADIUS SHALL BE A MINIMUM OF 48".
 5. ALL EMPTY CONDUITS SHALL INCLUDE A PULL WIRE AND SHALL BE CAPPED.
 6. DUCT BANKS MAY BE RE-ARRANGED FOR CONVENIENCE OF EGRESS.
 7. REFERENCE ELECTRICAL DRAWINGS FOR CONDUIT SIZE.
 8. THIS DETAIL IS FOR LAYOUT PURPOSES ONLY. FOR THE ACTUAL NUMBER OF CONDUITS & FEEDERS SEE PLAN DRAWINGS.

CONDUIT SIZE		DUCT BANK CONDUIT SPACING DIMENSIONS									
CONDUIT SIZE	DIMENSION A	CONDUIT SIZE									
		3/4"	1"	1 1/4"	1 1/2"	2"	2 1/2"	3"	3 1/2"	4"	
		DIMENSION B									
3/4"	3 5/8"	3 1/8"	3 1/4"	3 3/8"	3 1/2"	3 3/4"	4"	4 3/8"	4 5/8"	4 7/8"	
1"	3 3/4"	3 1/4"	3 3/8"	3 1/2"	3 5/8"	3 7/8"	4 1/4"	4 1/2"	4 3/4"	5"	
1 1/4"	3 7/8"	3 3/8"	3 1/2"	3 3/4"	3 7/8"	4 1/8"	4 3/8"	4 5/8"	4 7/8"	5 1/8"	
1 1/2"	4"	3 1/2"	3 5/8"	3 7/8"	4"	4 1/4"	4 1/2"	4 3/4"	5"	5 1/4"	
2"	4 1/4"	3 3/4"	3 7/8"	4 1/8"	4 1/4"	4 3/8"	4 5/8"	5"	5 1/4"	5 1/2"	
2 1/2"	4 1/2"	4"	4 1/8"	4 3/8"	4 1/2"	4 5/8"	4 7/8"	5 1/4"	5 1/2"	5 3/4"	
3"	4 3/4"	4 3/8"	4 1/2"	4 5/8"	4 3/4"	5"	5 1/4"	5 1/2"	5 3/4"	6"	
3 1/2"	5"	4 5/8"	4 3/4"	4 7/8"	5"	5 1/4"	5 1/2"	5 3/4"	6"	6 1/4"	
4"	5 1/4"	4 7/8"	5"	5 1/8"	5 1/4"	5 1/2"	5 3/4"	6"	6 1/4"	6 1/2"	

DUCT BANK DETAIL



- NOTES:**
1. THE CONTRACTOR SHALL FILL TRENCHES AND COMPACT SOIL TO MATCH THE EXISTING GRADE AFTER THE INSTALLATION OF THE CONDUIT IS COMPLETE. IN AREAS WHERE THE CONDUIT IS ROUTED UNDER AN ASPHALT OR CONCRETE PAVED SURFACE THE CONTRACTOR SHALL RESTORE THE SURFACE TO THE ORIGINAL SURFACE CONDITION & MATCH THE ELEVATION OF THE ADJOINING SURFACES.
 2. THE CONTRACTOR SHALL REFERENCE THE EXISTING AS-BUILT DRAWINGS FOR PIPING AND UTILITIES IN THIS AREA. THE CITY WILL PROVIDE COPIES OF EXISTING AS-BUILT DRAWINGS UPON WRITTEN REQUEST BY THE CONTRACTOR.
 3. ALL UNDERGROUND CONDUITS SHALL BE ENCASED IN STEEL REINFORCED CONCRETE. CONCRETE ENCASEMENT SHALL BE IN ACCORDANCE W/ THE DUCT BANK DETAIL.

ENGINEER OF RECORD:
BOB E. HALLMAN, P.E.
FLORIDA REGISTRATION NO. 20761

EDT
Engineering Design Technologies Corp.
P.O. Box 152403
Tampa, FL 33664-2403
813.282.9184 FAX
eng@edt1.com

Certificate of Authorization Number: 4795

**HFC AWTP RCW
PUMP STATION
IMPROVEMENTS
(ATLAS K-13)**

DATE: 01/06/2014
PROJECT NUMBER: 31021JA
SHEET NUMBER: **E-4**

ELECTRICAL SITE PLAN

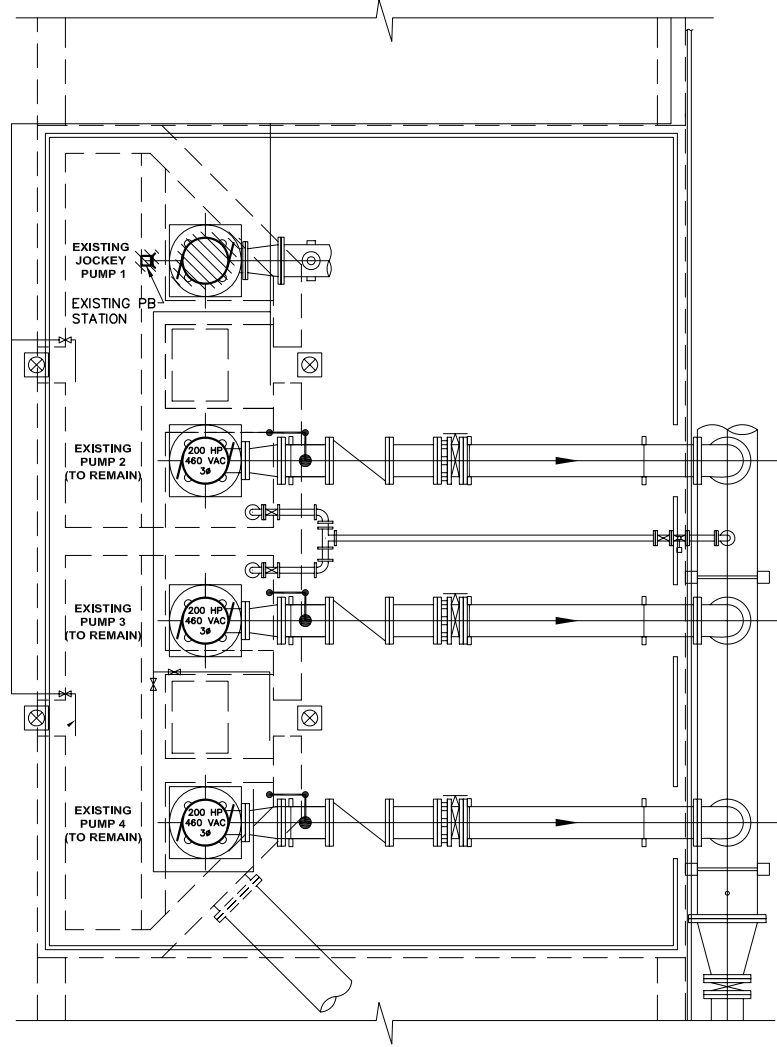
DESIGNED BY: STK
DRAWN BY: RWB
CHECKED BY: BEH

PROFESSIONAL ENGINEER:
BOB E. HALLMAN, P.E.
REGISTRATION NO. 20761
DATE:

SCALE:

NO.	REVISIONS	DATE	BY

J & A Associates
Engineers and Managers, Inc.
4900 Manatee Avenue West, Suite 203
Bradenton, FL, 34209
Phone 941-254-7901 Fax 941-254-7902
© 2012 J&A ASSOCIATES ENGINEERS AND MANAGERS, INC.

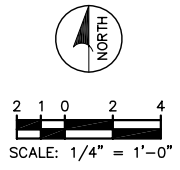


NOTES:

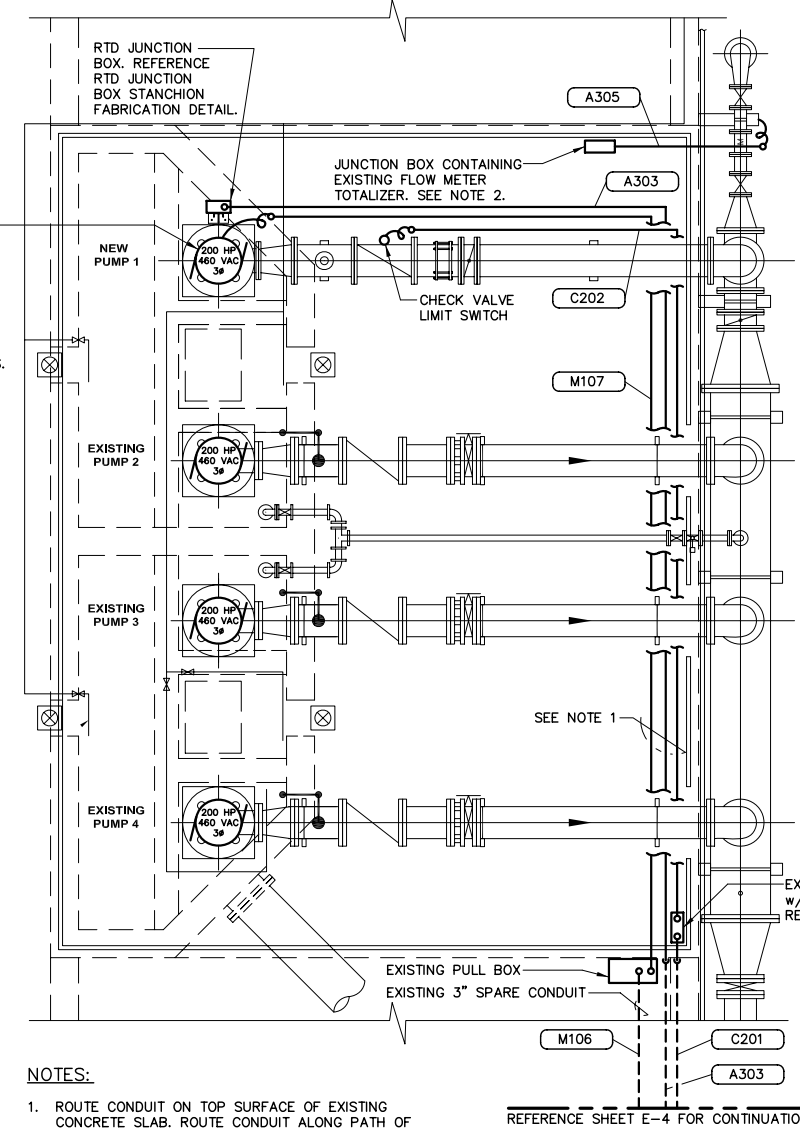
- DENOTES EXISTING EQUIPMENT TO BE REMOVED. ITEM SHALL BE REMOVED FROM PREMISES AND DISPOSED OF PROPERLY. UNLESS OTHERWISE NOTED, REMOVE ALL ASSOCIATED CONDUIT & WIRING CONNECTED TO EQUIPMENT TO BE REMOVED, INCLUDING ABANDONED CONDUIT & WIRING.

1. ALL EQUIPMENT, CONDUIT & WIRING INCLUDED ON THIS DRAWING ARE EXISTING. CONTRACTOR SHALL VISIT THE SITE & FAMILIARIZE HIMSELF WITH THE EXISTING CONDITIONS BEFORE SUBMITTING A BID OR COMMENCING CONSTRUCTION.
2. COORDINATE ALL DEMOLITION ACTIVITIES WITH OWNER AND ALL TRADES.
3. ALL EXISTING INSTALLATIONS DENOTED ON THE DRAWINGS ARE FOR CONTRACTORS REFERENCE ONLY. ALL EXISTING INSTALLATIONS SHALL BE FIELD VERIFIED PRIOR TO SUBMITTING A BID AND PRIOR TO COMMENCING CONSTRUCTION.
4. THE CONTRACTOR SHALL REFERENCE THE EXISTING AS-BUILT DRAWINGS FOR PIPING AND UTILITIES IN THIS AREA. THE CITY WILL PROVIDE COPIES OF EXISTING AS-BUILT DRAWINGS UPON WRITTEN REQUEST BY THE CONTRACTOR.

**PUMP AREA
DEMOLITION PLAN**



THE MOTOR SHALL BE PROVIDED WITH A PHENOLIC WARNING LABEL. THE LABEL SHALL BE A THREE PLY PHENOLIC RED-WHITE-RED ENGRAVED THROUGH THE FIRST RED LAYER. THE LETTERING SHALL BE 0.5 CM (3/16") MIN. EDGES OF LABEL SHALL BE BEVELED 45 DEG. LABEL SHALL READ AS FOLLOWS:
WARNING - ELECTRICAL SHOCK HAZARD. MOTOR IS EQUIPPED WITH SPACE HEATERS. SPACE HEATER REMAINS ENERGIZED WHEN MOTOR IS OFF.



NOTES:

1. ROUTE CONDUIT ON TOP SURFACE OF EXISTING CONCRETE SLAB. ROUTE CONDUIT ALONG PATH OF PIPING TO MINIMIZE TRIPPING HAZARD. COORDINATE ROUTING PATH OF CONDUIT WITH EXISTING PIPING AND NEW PIPING. COORDINATE WITH OTHER TRADES. REFERENCE CONCRETE SLAB CONDUIT SECURING DETAIL.
2. REMOVE THE EXISTING FLOW METER TOTALIZER, LIGHTING FIXTURE, RECEPTACLE AND SWITCH LOCATED IN THE EXISTING JUNCTION BOX. DISCONNECT THE EXISTING WIRING CONNECTED TO THE EXISTING FLOW METER TOTALIZER. REPLACE THE EXISTING FLOW METER w/ AN ABB WATER MASTER FLOW METER. UTILIZE THE EXISTING 4-20 mA SIGNAL WIRING & THE 120 VAC POWER WIRING ROUTED TO THE EXISTING JUNCTION BOX. PROVIDE CONNECTIONS TO NEW FLOW METER IN ACCORDANCE w/ MANUFACTURER'S RECOMMENDATIONS. REFERENCE 8" INCINERATOR RCW MAGNETIC FLOW METER CONNECTION DETAIL.

**PUMP AREA
CONDUIT ROUTING PLAN**

ENGINEER OF RECORD:
BOB E. HALLMAN, P.E.
FLORIDA REGISTRATION NO. 20761



Engineering Design Technologies Corp.
P.O. Box 152403
Tampa, FL 33664-2403
813.282.9184 FAX
eng@edt1.com

HFC AWTP RCW
PUMP STATION
IMPROVEMENTS
(ATLAS K-13)

DATE
01/06/2014
PROJECT NUMBER
31021JA
SHEET NUMBER

E-5

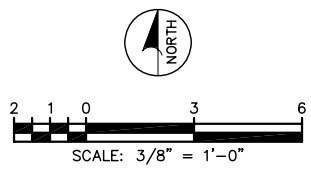
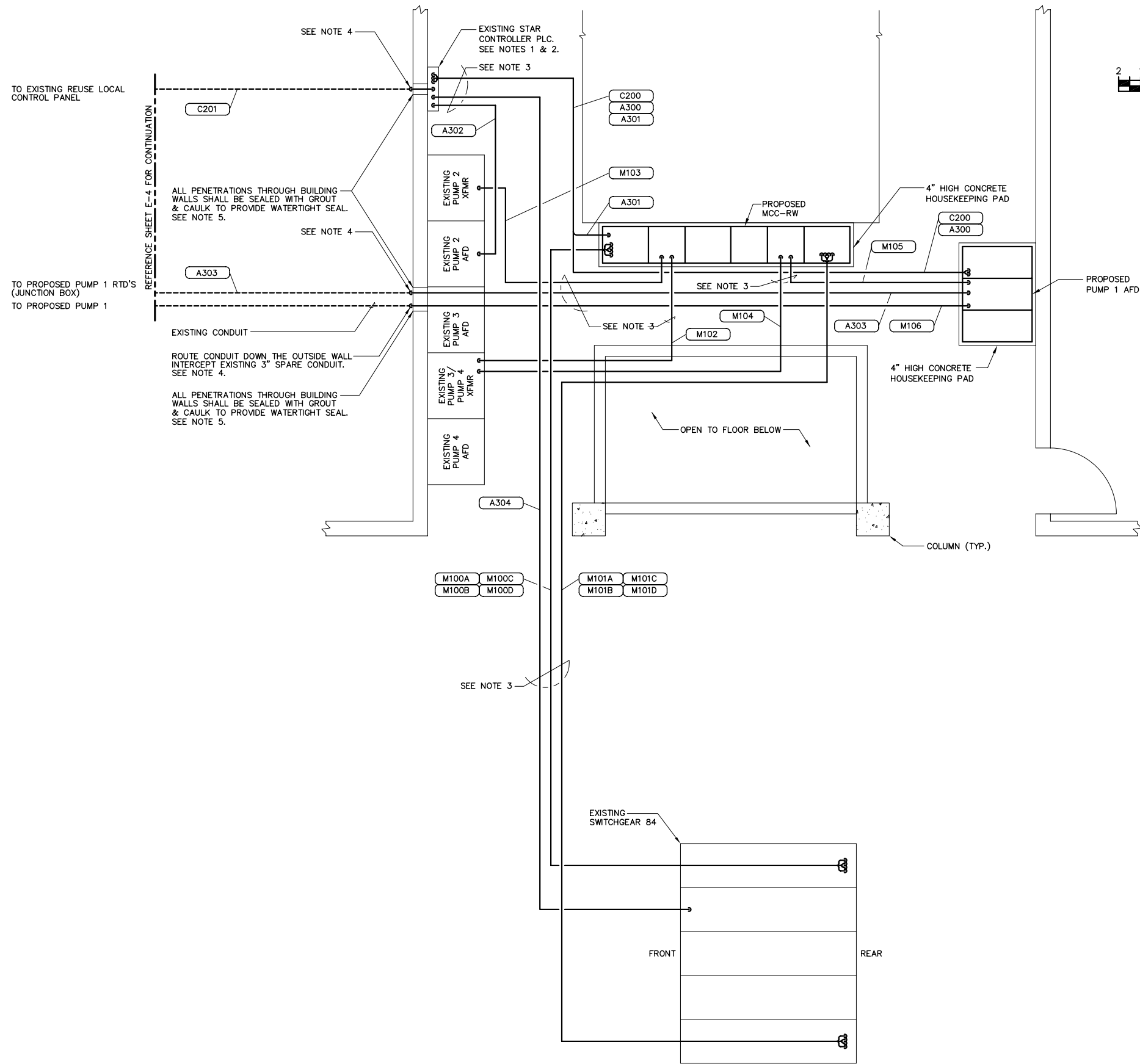
PUMP AREA
DEMOLITION/CONDUIT
ROUTING PLANS

SCALE:
DESIGNED BY:
STK
DRAWN BY:
RWB
CHECKED BY:
BEH

PROFESSIONAL ENGINEER:
BOB E. HALLMAN, PE
REGISTRATION NO. 20761
DATE:

NO.	REVISIONS	DATE	BY

J & A Associates
Engineers and Managers, Inc.
4900 Manatee Avenue West, Suite 203
Bradenton, FL, 34209
Phone 941-254-7901 Fax 941-254-7902
© 2012 J&A ASSOCIATES ENGINEERS AND MANAGERS, INC.



TO EXISTING REUSE LOCAL CONTROL PANEL

TO PROPOSED PUMP 1 RTD'S (JUNCTION BOX)

TO PROPOSED PUMP 1

REFERENCE SHEET E-4 FOR CONTINUATION

ALL PENETRATIONS THROUGH BUILDING WALLS SHALL BE SEALED WITH GROUT & CAULK TO PROVIDE WATERTIGHT SEAL. SEE NOTE 5.

ROUTE CONDUIT DOWN THE OUTSIDE WALL INTERCEPT EXISTING 3" SPARE CONDUIT. SEE NOTE 4.

ALL PENETRATIONS THROUGH BUILDING WALLS SHALL BE SEALED WITH GROUT & CAULK TO PROVIDE WATERTIGHT SEAL. SEE NOTE 5.

FILTER BLDG. 2
ELECTRICAL EQUIPMENT LAYOUT
(PARTIAL PLAN VIEW OF FILTER BLDG. 2)

- NOTES:**
1. PROVIDE ALL CONDUIT & CONDUCTORS ROUTED TO THE EXISTING STAR CONTROLLER PLC. CITY WILL BE RESPONSIBLE FOR TERMINATIONS & CONNECTIONS OF ALL WIRING ROUTED TO THE EXISTING STAR CONTROLLER PLC.
 2. CITY WILL BE RESPONSIBLE FOR THE PROGRAM MODIFICATIONS REQUIRED IN THE EXISTING STAR CONTROLLER PLC AND THE HOST COMPUTER/HMI.
 3. ROUTE CONDUIT OVERHEAD. REFERENCE OVERHEAD CONDUIT SECURING DETAIL.
 4. ROUTE CONDUIT DOWN THE OUTSIDE WALL, SECURE CONDUIT TO OUTSIDE WALL w/ 316 SS UNISTRUT 316 SS CONDUIT STRAPS.
 5. PROVIDE PVC SLEEVES FOR ALL METALLIC CONDUIT PENETRATIONS THROUGH CONCRETE. WHERE ALUMINUM SURFACES SUCH AS BOXES, CONDUIT OR STRUCTURAL SUPPORTS COME IN CONTACT WITH INCOMPATIBLE METALS, LIME, MORTAR, CONCRETE OR OTHER MASONRY MATERIALS, THE CONTACT AREA SHALL BE GIVEN ONE FIELD COAT OF KOPPERS METAL PASSIVATOR NO. 40 AND ONE COAT OF KOPPERS BITUMASTIC SUPER SERVICE BLACK OR TWO COATS OF ASPHALT VARNISH CONFORMING TO FED. SPEC. TT-V-51.

ENGINEER OF RECORD:
BOB E. HALLMAN, P.E.
FLORIDA REGISTRATION NO. 20761

EDT
Engineering Design Technologies Corp.
P.O. Box 152403
Tampa, FL 33684-2403
813.282.9184 FAX
eng@edt1.com

Certificate of Authorization Number: 4795

HFC AWTP RCW PUMP STATION IMPROVEMENTS (ATLAS K-13)

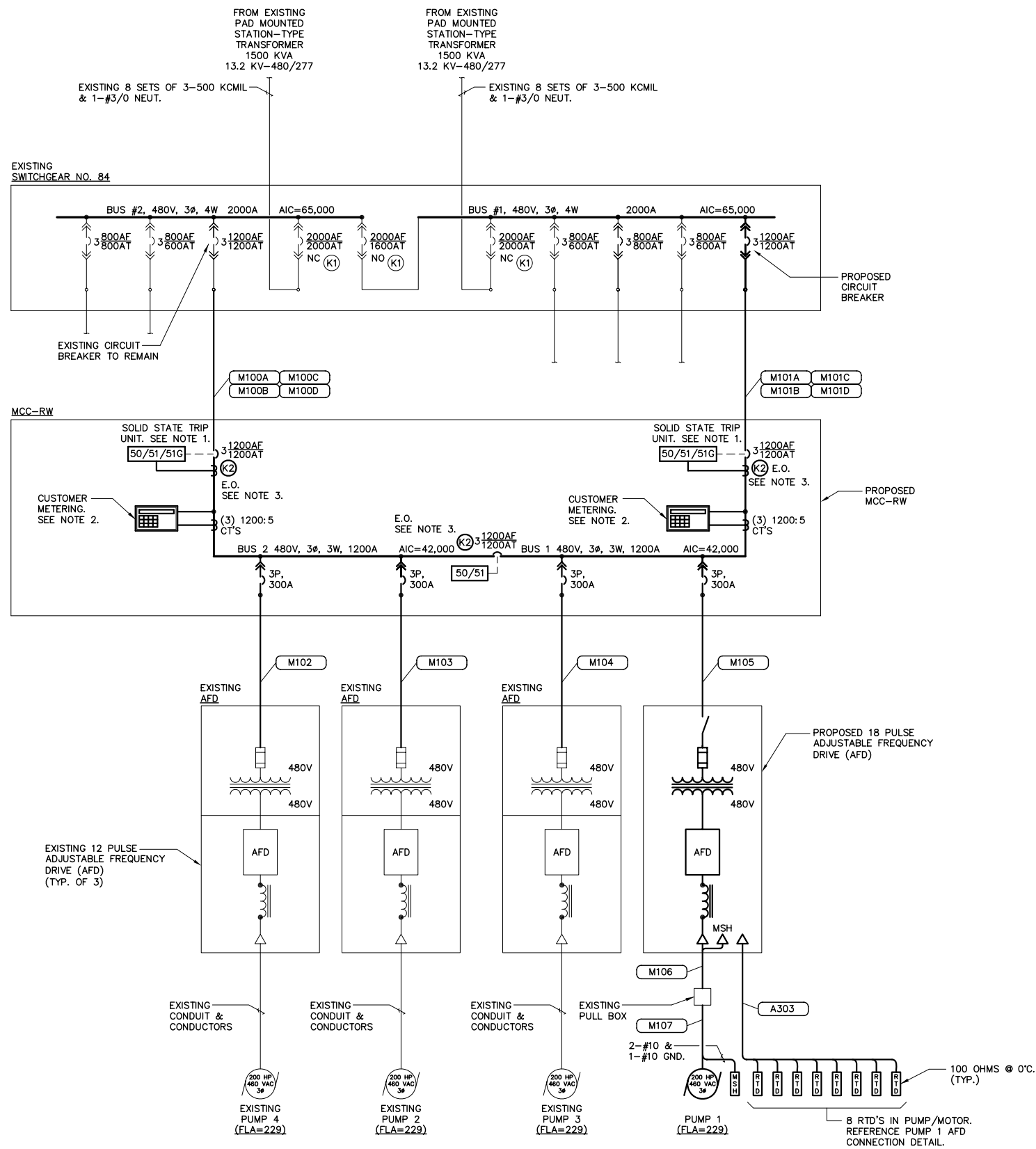
DATE: 01/06/2014
PROJECT NUMBER: 31021JA
SHEET NUMBER: **E-6**

FILTER BLDG. 2 ELECTRICAL EQUIPMENT LAYOUT

SCALE:	DESIGNED BY: STK	PROFESSIONAL ENGINEER:
DRAWN BY: RWB	BOB E. HALLMAN, PE REGISTRATION NO. 20761	DATE:
CHECKED BY: BET		

NO.	REVISIONS	DATE	BY

J & A Associates
Engineers and Managers, Inc.
4900 Manatee Avenue West, Suite 203
Bradenton, FL, 34209
Phone 941-254-7901 Fax 941-254-7902
© 2012 J&A ASSOCIATES ENGINEERS AND MANAGERS, INC.



PROPOSED ELECTRICAL ONE-LINE DIAGRAM

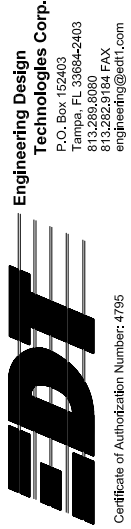
EXISTING LOAD SUMMARY - SWITCHGEAR 84					
480 VAC, 3Ø, 4W					
LOAD	BUS 1 CONNECTED	BUS 1 DEMAND	BUS 2 CONNECTED	BUS 2 DEMAND	TOTAL DEMAND
EXISTING MCC 85	698.3 KVA	349.2 KVA	349.2 KVA	349.2 KVA	349.2 KVA
EXISTING MCC 86	480.8 KVA	240.4 KVA	281.3 KVA	240.4 KVA	480.8 KVA
EXISTING RCW PUMP 2	----	----	182.5 KVA	165.0 KVA	165.0 KVA
EXISTING RCW PUMP 3	----	----	182.5 KVA	165.0 KVA	165.0 KVA
EXISTING RCW PUMP 4	----	----	182.5 KVA	165.0 KVA	165.0 KVA
TOTAL	1179.1 KVA	589.6 KVA	1178.0 KVA	1084.6 KVA	1325.0 KVA

PROPOSED LOAD SUMMARY - SWITCHGEAR 84					
480 VAC, 3Ø, 4W					
LOAD	BUS 1 CONNECTED	BUS 1 DEMAND	BUS 2 CONNECTED	BUS 2 DEMAND	TOTAL DEMAND
EXISTING MCC 85	698.3 KVA	349.2 KVA	349.2 KVA	349.2 KVA	349.2 KVA
EXISTING MCC 86	480.8 KVA	240.4 KVA	281.3 KVA	240.4 KVA	480.8 KVA
EXISTING RCW PUMP 2	----	----	182.5 KVA	165.0 KVA	165.0 KVA
EXISTING RCW PUMP 3	182.5 KVA	165.0 KVA	----	----	165.0 KVA
EXISTING RCW PUMP 4	----	----	182.5 KVA	165.0 KVA	165.0 KVA
PROPOSED RCW PUMP 1	182.5 KVA	165.0 KVA	----	----	165.0 KVA
TOTAL	1544.1 KVA	919.6 KVA	995.5 KVA	919.6 KVA	1490.0 KVA

EXISTING DEMAND LOADS FOR MCC 85 & MCC 86 ARE BASED ON STUDY DATA PROVIDED BY THE CITY OF TAMPA. EXISTING LOAD DATA FOR THE RCW PUMPS ARE BASED ON HISTORICAL DATA FROM THE CITY OF TAMPA.

- NOTES:**
- THE SOLID STATE TRIP UNIT SHALL PROVIDE THE FOLLOWING CURRENT SENSING & TRIP FUNCTIONS:
 - LONG TIME PICK-UP & DELAY
 - SHORT TIME PICK-UP & DELAY
 - INSTANTANEOUS PICK-UP
 - GROUND FAULT PICK-UP & DELAY
 - CUSTOMER METERING SHALL PROVIDE AS A MINIMUM THE READINGS FOR:
 - VOLTAGE (V)
 - AMPERAGE (A)
 - POWER FACTOR (PF)
 - KILOWATT USAGE (KW)
 - KILOWATT DEMAND (KWD)
 - WATTS (W)
 - VARs (VR)
 - VAR DEMAND (VRD)
 - VAR HOURS (VRH)
 - FREQUENCY (FRQ)
 - THD CURRENT (THC)
 - THD VOLTAGE (THV)
 - CONTRACTOR SHALL INSTALL KIRK KEY INTERLOCKS ON THE TWO (2) MAIN CIRCUIT BREAKERS AND ON THE TIE BREAKER IN MCC-RW. THE KIRK KEY INTERLOCKS SHOWN AS K2 ON THE MAIN CIRCUIT BREAKERS SHALL BE KEYED THE SAME AS THE KIRK KEY INTERLOCK ON THE TIE BREAKER. EACH KIRK KEY LOCK SHALL BE CONFIGURED IN A L-O-R LOCKING POSITION (DEVICE LOCKED OPEN WITH KEY REMOVED) PROVIDE (2) KEYS ONLY.

ENGINEER OF RECORD:
BOB E. HALLMAN, P.E.
FLORIDA REGISTRATION NO. 20761



HFC AWTP RCW PUMP STATION IMPROVEMENTS (ATLAS K-13)

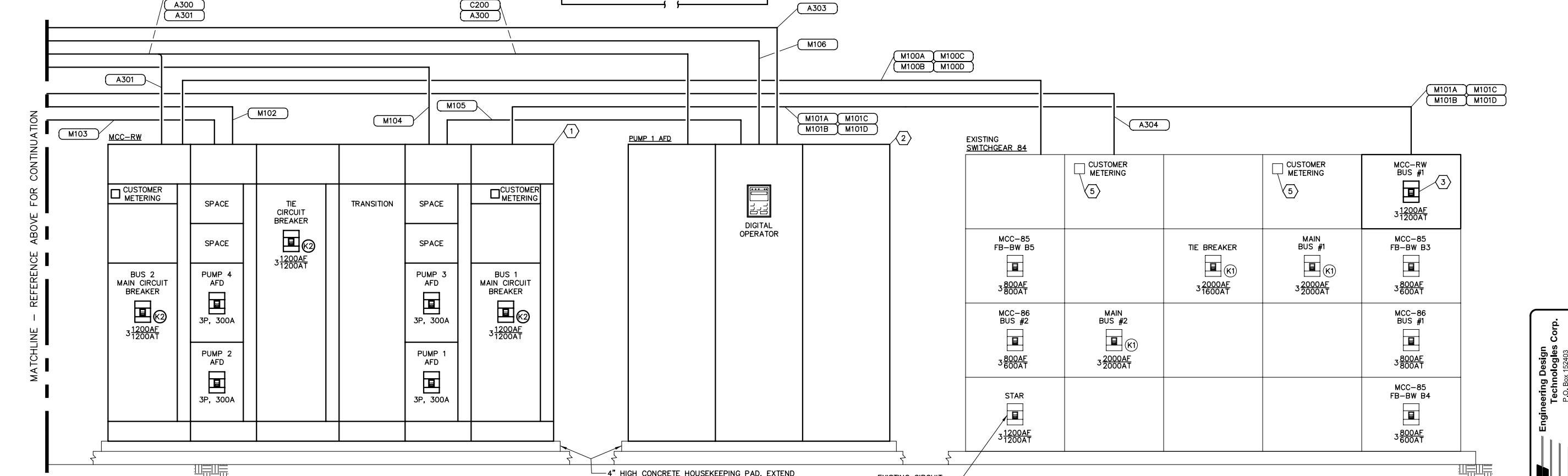
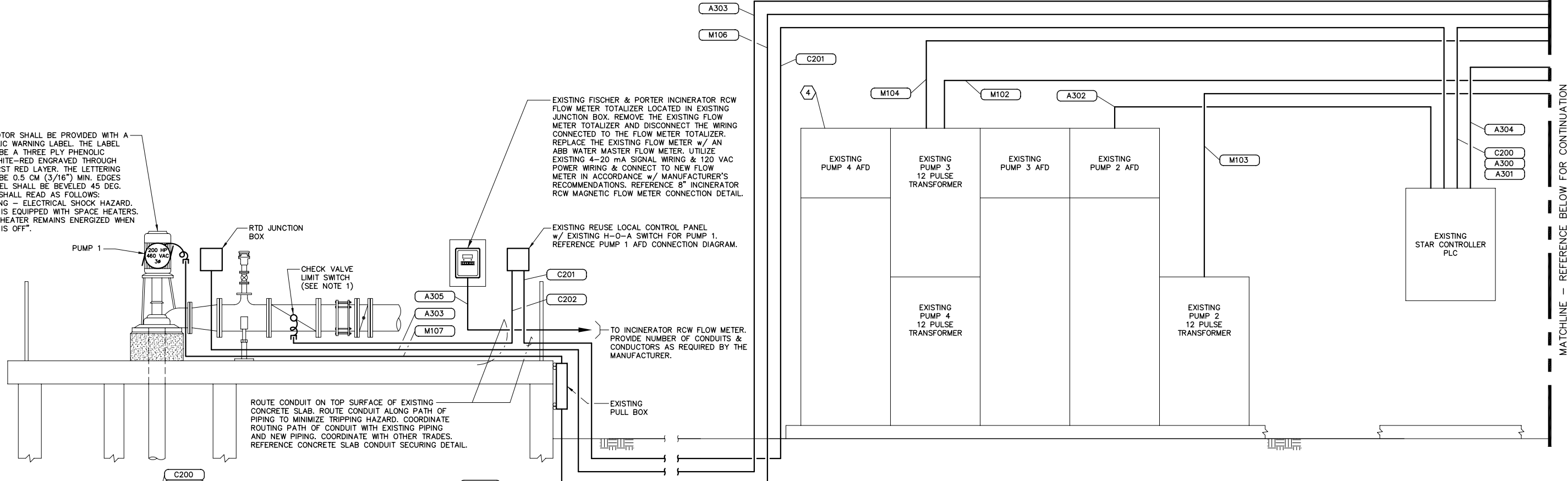
DATE: 01/06/2014
PROJECT NUMBER: 31021JA
SHEET NUMBER: E-7

NO.	REVISIONS	DATE	BY

PROPOSED ELECTRICAL ONE-LINE DIAGRAM

J & A Associates
Engineers and Managers, Inc.
4900 Manatee Avenue West, Suite 203
Bradenton, FL, 34209
Phone 941-254-7901 Fax 941-254-7902
© 2012 J&A ASSOCIATES ENGINEERS AND MANAGERS, INC.

THE MOTOR SHALL BE PROVIDED WITH A PHENOLIC WARNING LABEL. THE LABEL SHALL BE A THREE PLY PHENOLIC RED-WHITE-RED ENGRAVED THROUGH THE FIRST RED LAYER. THE LETTERING SHALL BE 0.5 CM (3/16") MIN. EDGES OF LABEL SHALL BE BEVELED 45 DEG. LABEL SHALL READ AS FOLLOWS:
 "WARNING - ELECTRICAL SHOCK HAZARD. MOTOR IS EQUIPPED WITH SPACE HEATERS. SPACE HEATER REMAINS ENERGIZED WHEN MOTOR IS OFF".



KEYED NOTES:

- 1 MOTOR CONTROL CENTER (MCC-RW) w/ 1200AF/1200AT 100% RATED MAIN CIRCUIT BREAKERS, TIE CIRCUIT BREAKER, KIRK KEY INTERLOCKS AND DISTRIBUTION SECTIONS. REFERENCE SPECIFICATIONS.
- 2 ADJUSTABLE FREQUENCY DRIVE (AFD): 240A OUTPUT, 200 HP, 18 PULSE AFD w/ OUTPUT REACTOR, CIRCUIT BREAKER, MOUNTED IN A NEMA 1 FREE STANDING ENCLOSURE. YASKAWA, REFERENCE SPECIFICATIONS.
- 3 PROVIDE AND INSTALL A 3 POLE, 1200AF/1200AT INSULATED CASE, ELECTRICALLY OPERATED CIRCUIT BREAKER IN THE EXISTING CUTLER-HAMMER SWITCHGEAR 84. COORDINATE CONNECTION REQUIREMENTS w/ SWITCHGEAR MANUFACTURER. REFERENCE SPECIFICATIONS.

- 4 PROVIDE AND INSTALL A YASKAWA CM086 INTERFACE CARD IN EACH EXISTING AFD. COORDINATE CONNECTION REQUIREMENTS WITH EQUIPMENT MANUFACTURER.
- 5 COORDINATE RS-485/MODBUS CONNECTIONS TO EXISTING POWER METERS WITH EQUIPMENT MANUFACTURER. PROVIDE ADDITIONAL HARDWARE AS REQUIRED.

NOTES:

- 1. COORDINATE CHECK VALVE LIMIT SWITCH SELECTION AND MOUNTING WITH THE CHECK VALVE SUPPLIER. REFERENCE CHECK VALVE LIMIT SWITCH DETAILS.

ELECTRICAL RISER DIAGRAM

MATCHLINE - REFERENCE ABOVE FOR CONTINUATION

MATCHLINE - REFERENCE BELOW FOR CONTINUATION

J & A Associates
 Engineers and Managers, Inc.
 4900 Manatee Avenue West, Suite 203
 Bradenton, FL, 34209
 Phone 941-254-7901 Fax 941-254-7902
 © 2012 J&A ASSOCIATES ENGINEERS AND MANAGERS, INC.

NO.	REVISIONS	DATE	BY

PROFESSIONAL ENGINEER:	BOB E. HALLMAN, PE REGISTRATION NO. 20761	DATE:
SCALE:	DESIGNED BY: STK	
	DRAWN BY: RWB	
	CHECKED BY: BET	

ELECTRICAL RISER DIAGRAM

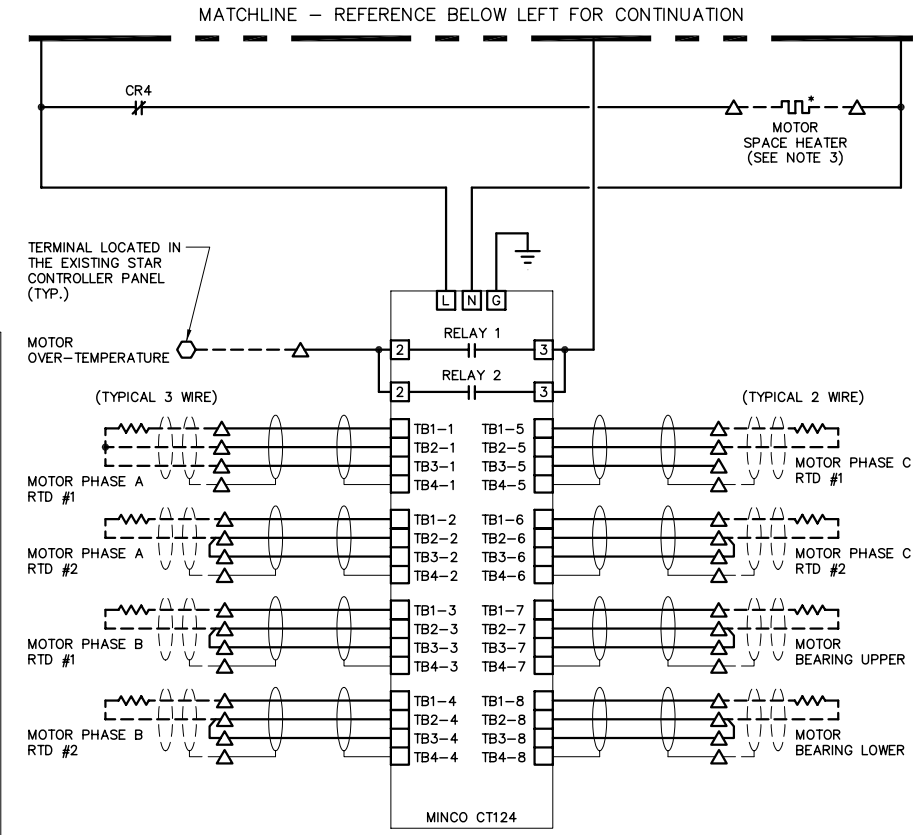
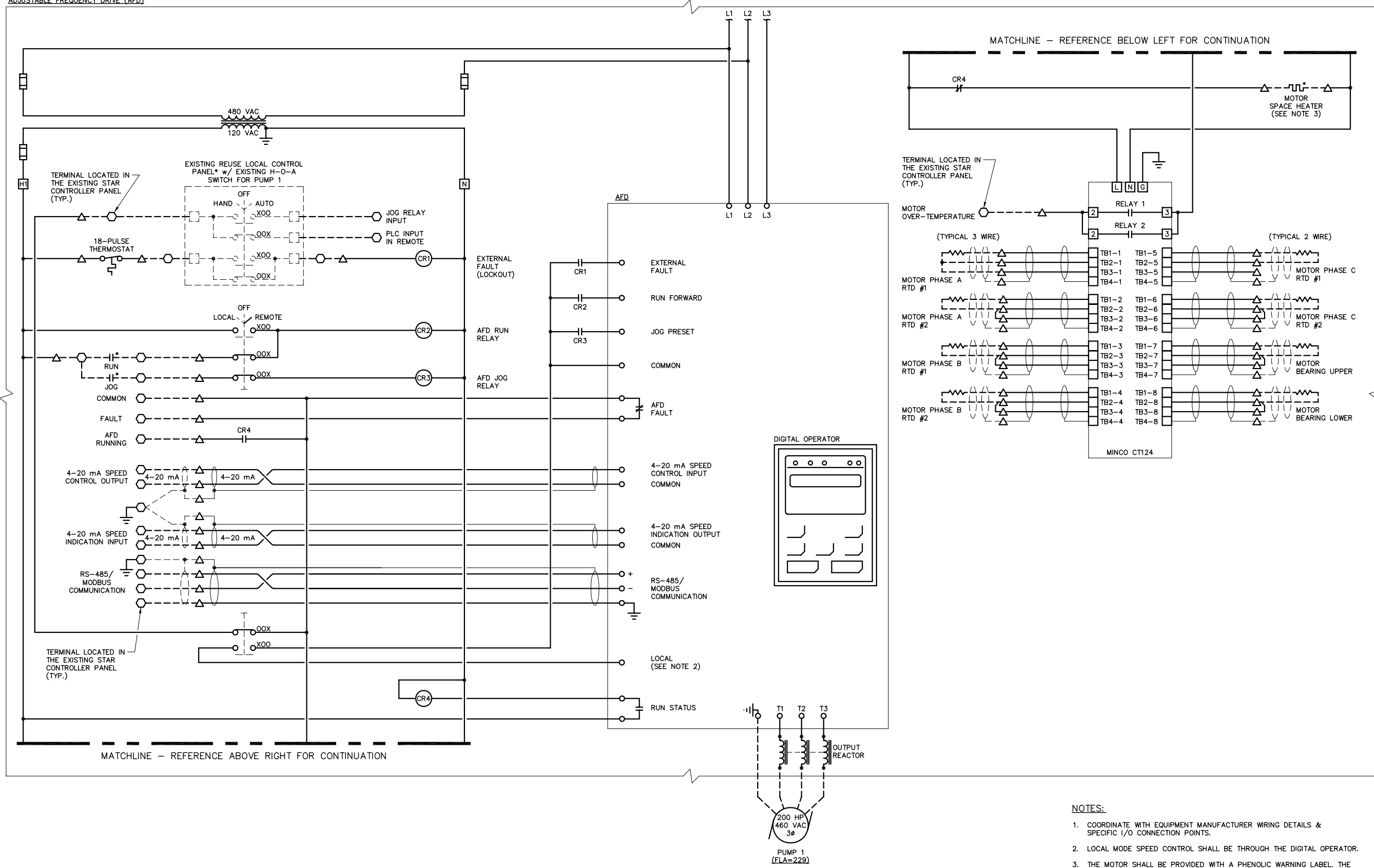
Engineering Design Technologies Corp.
 P.O. Box 152403
 Tampa, FL 33604-2403
 Phone 813.282.9184 FAX 813.282.9184
 engineering@ed1.com

ED1
 Certificate of Authorization Number: 4795
 ENGINEER OF RECORD:
 BOB E. HALLMAN, P.E.
 FLORIDA REGISTRATION NO. 20761

HFC AWTP RCW PUMP STATION IMPROVEMENTS (ATLAS K-13)

DATE	01/06/2014
PROJECT NUMBER	31021JA
SHEET NUMBER	E-8

ADJUSTABLE FREQUENCY DRIVE (AFD)

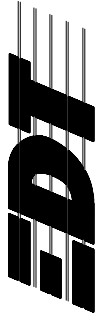


PUMP 1 AFD CONNECTION DIAGRAM

NOTES:

- COORDINATE WITH EQUIPMENT MANUFACTURER WIRING DETAILS & SPECIFIC I/O CONNECTION POINTS.
 - LOCAL MODE SPEED CONTROL SHALL BE THROUGH THE DIGITAL OPERATOR.
 - THE MOTOR SHALL BE PROVIDED WITH A PHENOLIC WARNING LABEL. THE LABEL SHALL BE A THREE PLY PHENOLIC RED-WHITE-RED ENGRAVED THROUGH THE FIRST RED LAYER. THE LETTERING SHALL BE 0.5 CM (3/16") MIN. EDGES OF LABEL SHALL BE BEVELED 45 DEG. LABEL SHALL READ AS FOLLOWS: "WARNING - ELECTRICAL SHOCK HAZARD, MOTOR IS EQUIPPED WITH SPACE HEATERS. SPACE HEATER REMAINS ENERGIZED WHEN MOTOR IS OFF".
- * INDICATES DEVICE LOCATED REMOTE FROM MOTOR STARTER.
 - △ DENOTES TERMINAL FOR FIELD CONNECTION.
 - DENOTES TERMINAL LOCATED IN THE EXISTING STAR CONTROL PANEL.
 - INDICATES PROPOSED FIELD WIRING
 - - - INDICATES EXISTING FIELD WIRING

ENGINEER OF RECORD:
BOB E. HALLMAN, P.E.
FLORIDA REGISTRATION NO. 20761



Engineering Design Technologies Corp.
P.O. Box 152403
Tampa, FL 33664-2403
813.282.9184 FAX
eng@edt1.com

**HFC AWTP RCW
PUMP STATION
IMPROVEMENTS
(ATLAS K-13)**

DATE: 01/06/2014
PROJECT NUMBER: 31021JA
SHEET NUMBER

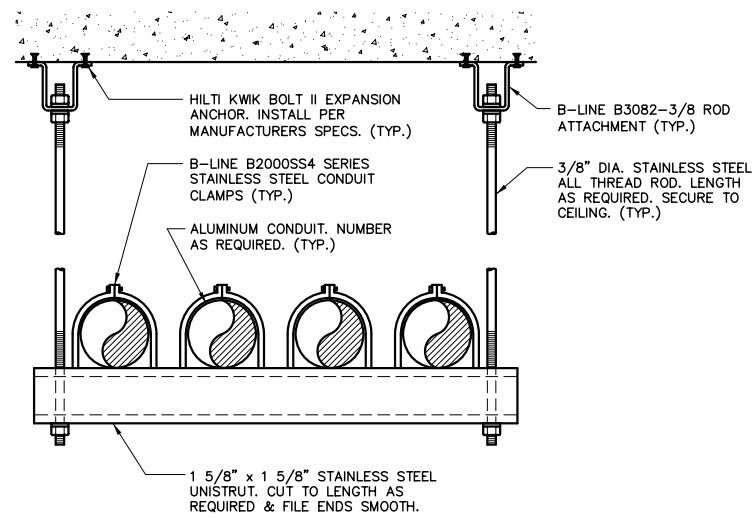
E-9

J & A Associates
Engineers and Managers, Inc.
4900 Manatee Avenue West, Suite 203
Bradenton, FL, 34209
Phone 941-254-7901 Fax 941-254-7902
© 2012 J&A ASSOCIATES ENGINEERS AND MANAGERS, INC.

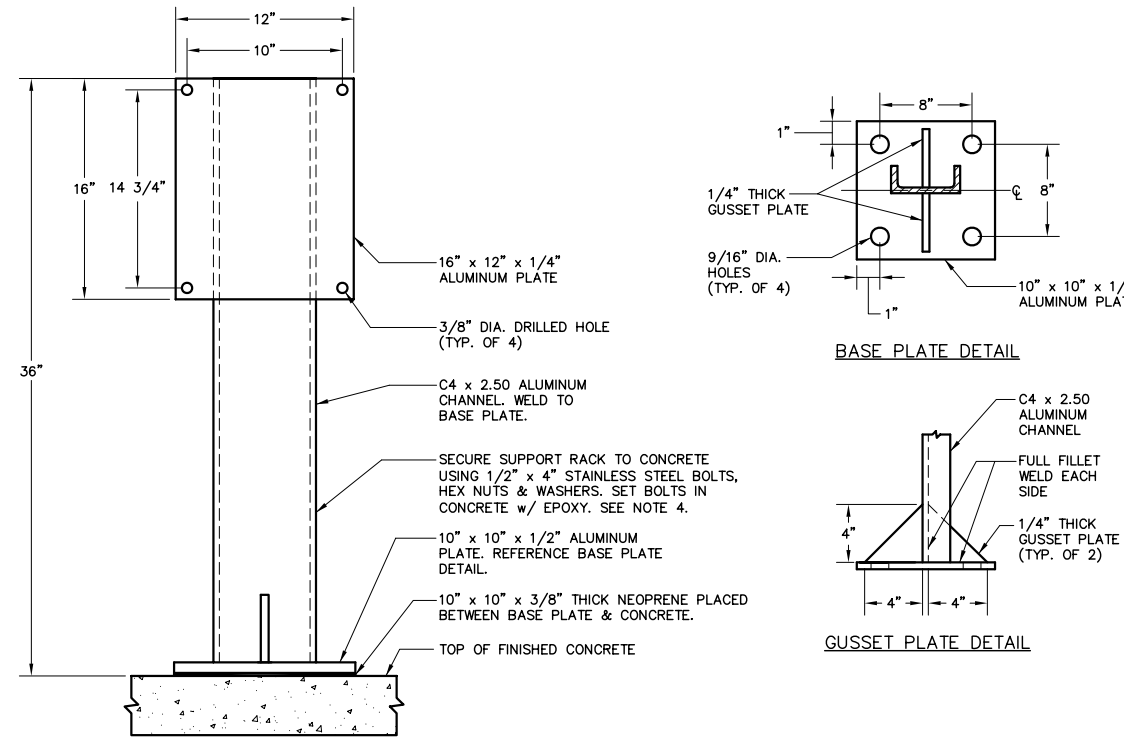
NO.	REVISIONS	DATE	BY

SCALE	DESIGNED BY:	PROFESSIONAL ENGINEER:
	STK	BOB E. HALLMAN, PE
	RCW	REGISTRATION NO. 20761
	BET	DATE:

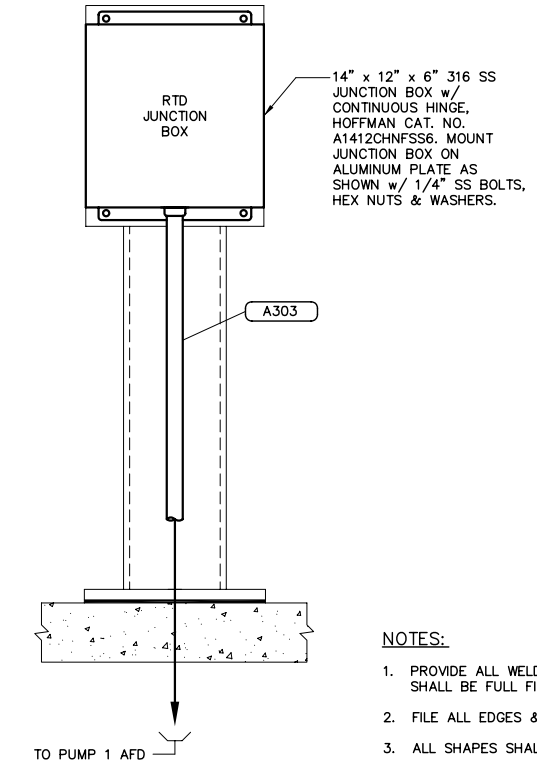
**PUMP 1 AFD
CONNECTION DIAGRAM**



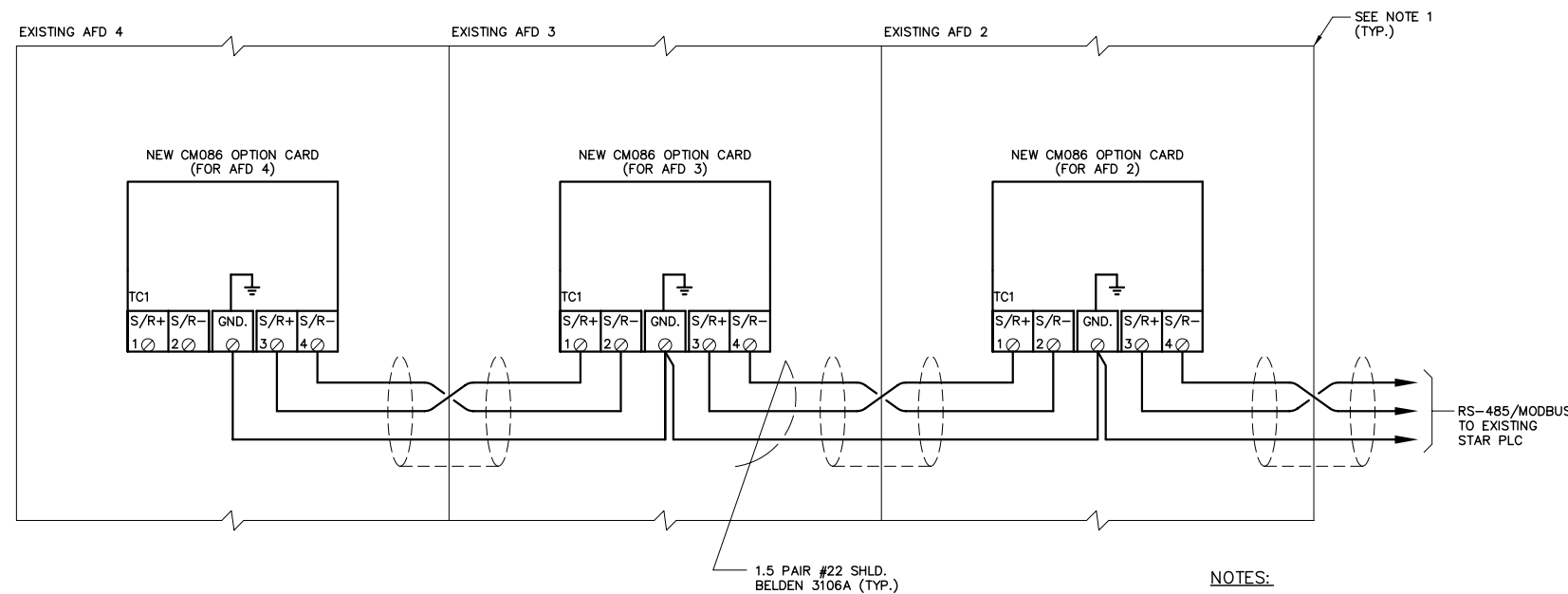
1 OVERHEAD CONDUIT SECURING DETAIL
(FOR USE IN FILTER BUILDING #2)



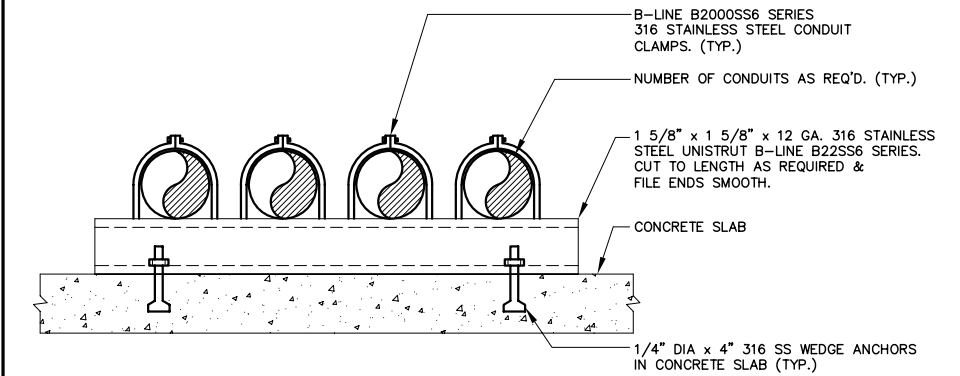
2 RTD JUNCTION BOX STANCHION FABRICATION DETAIL



- NOTES:**
1. PROVIDE ALL WELDED CONSTRUCTION. ALL WELDS SHALL BE FULL FILLET WELDS.
 2. FILE ALL EDGES & CORNERS SMOOTH.
 3. ALL SHAPES SHALL BE COPPER FREE ALUMINUM.
 4. PROVIDE 1/4\"/>



4 EXISTING AFD RS-485/MODBUS INTERCONNECTION DETAIL



- NOTES:**
1. CONDUITS SHALL BE SUPPORTED AT MAXIMUM 5'-0\"/>

6 CONCRETE SLAB CONDUIT SECURING DETAIL

ENGINEER OF RECORD:
BOB E. HALLMAN, P.E.
FLORIDA REGISTRATION NO. 20761



Certificate of Authorization Number: 4795

**HFC AWTP RCW
PUMP STATION
IMPROVEMENTS
(ATLAS K-13)**

DATE
01/06/2014
PROJECT NUMBER
31021JA
SHEET NUMBER

E-10

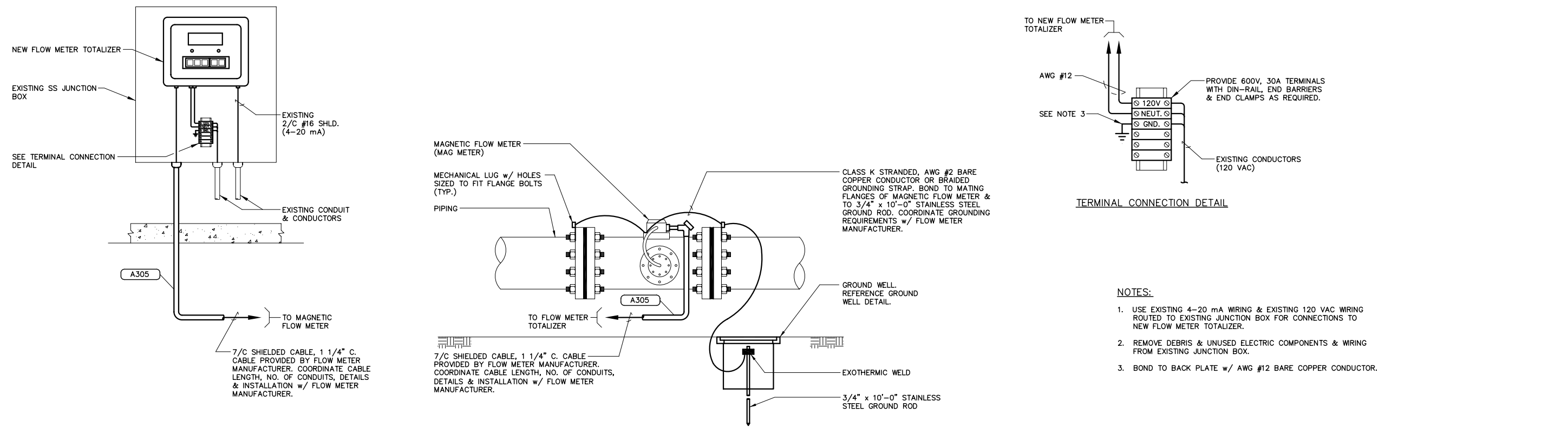
ELECTRICAL DETAILS

SCALE:
DESIGNED BY:
SJK
DRAWN BY:
RWB
CHECKED BY:
BET

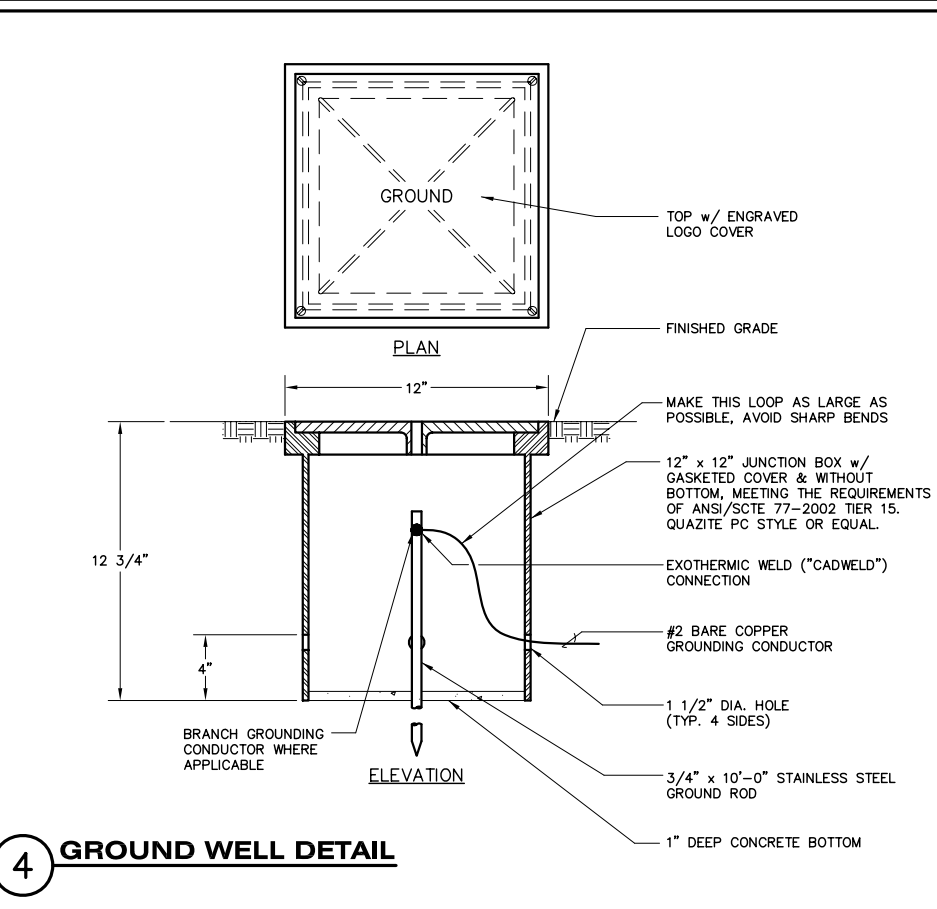
PROFESSIONAL ENGINEER:
BOB E. HALLMAN, PE
REGISTRATION NO. 20761
DATE:

NO.	REVISIONS	DATE	BY

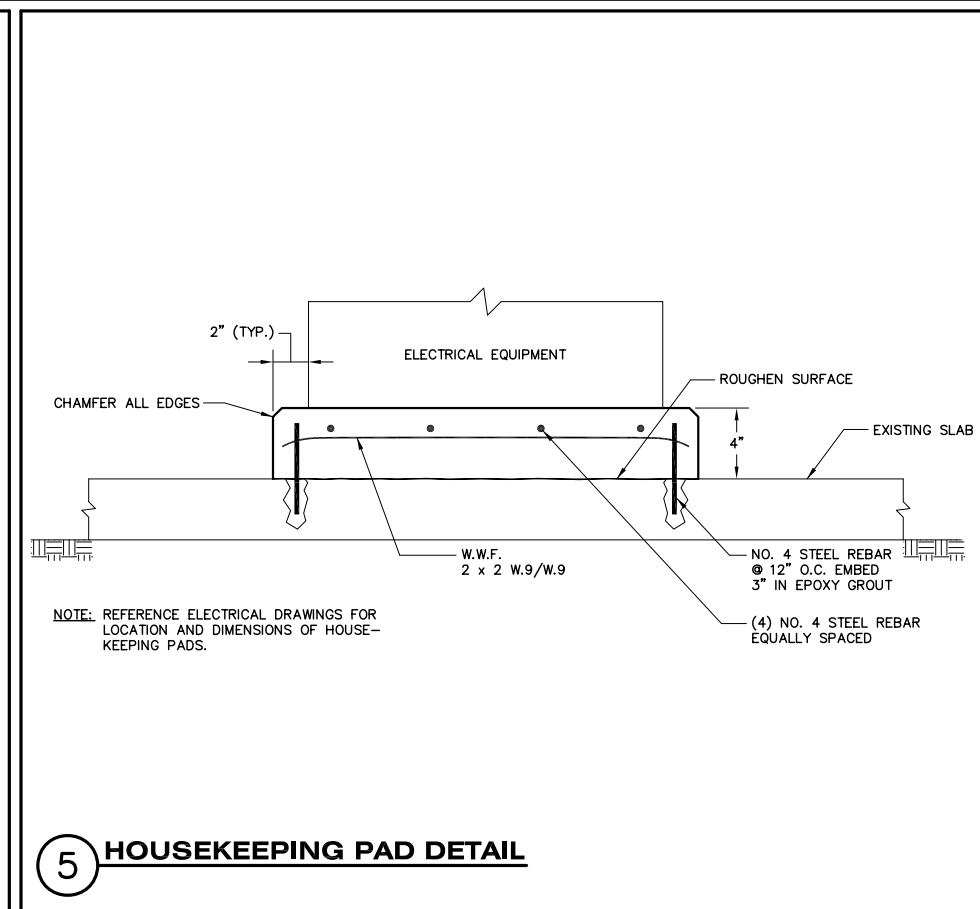
J & A Associates
Engineers and Managers, Inc.
4900 Manatee Avenue West, Suite 203
Bradenton, FL, 34209
Phone 941-254-7901 Fax 941-254-7902
© 2012 J&A ASSOCIATES ENGINEERS AND MANAGERS, INC.



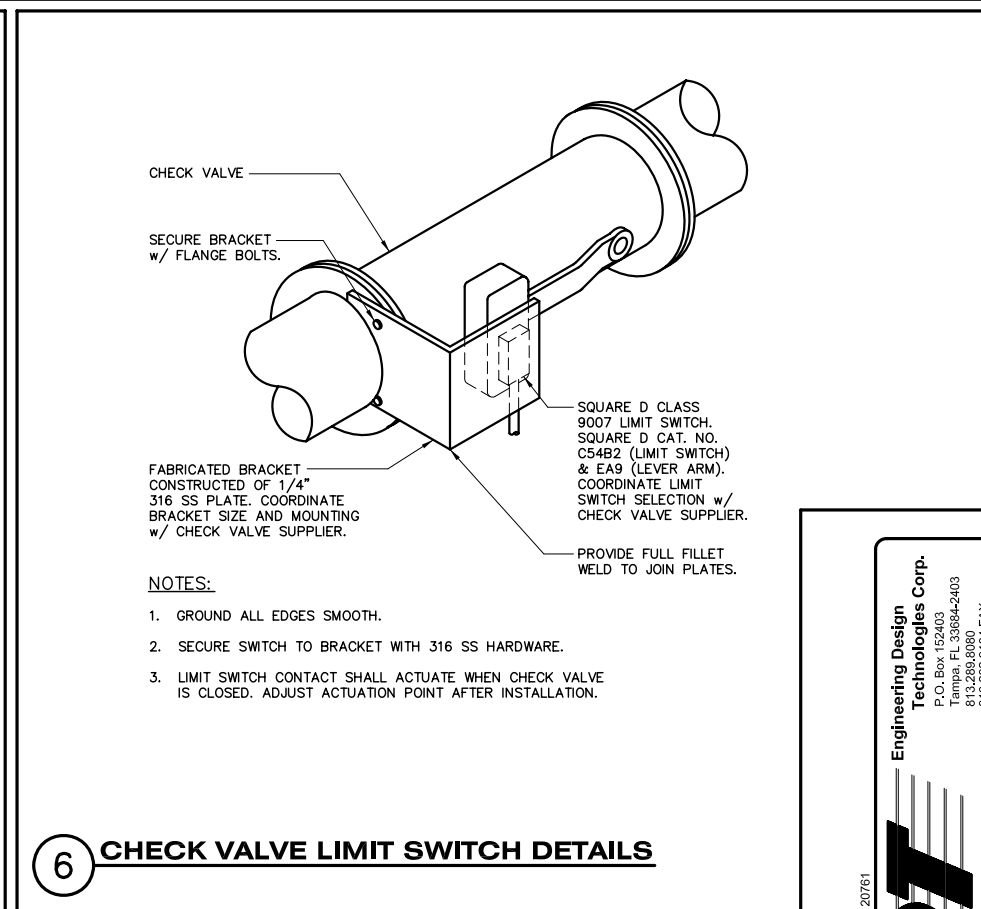
1 8" INCINERATOR RCW MAGNETIC FLOW METER CONNECTION DETAILS



4 GROUND WELL DETAIL



5 HOUSEKEEPING PAD DETAIL



6 CHECK VALVE LIMIT SWITCH DETAILS

ENGINEER OF RECORD:
BOB E. HALLMAN, P.E.
FLORIDA REGISTRATION NO. 20761



HFC AWTP RCW PUMP STATION IMPROVEMENTS (ATLAS K-13)

DATE: 01/06/2014
PROJECT NUMBER: 31021JA
SHEET NUMBER: E-11

ELECTRICAL DETAILS

SCALE:	DESIGNED BY:	PROFESSIONAL ENGINEER:	NO.
STK	RWB	BOB E. HALLMAN, PE	DATE
RWB	BET	REGISTRATION NO. 20761	REVISIONS
		DATE	BY

J & A Associates
Engineers and Managers, Inc.
4900 Manatee Avenue West, Suite 203
Bradenton, FL, 34209
Phone 941-254-7901 Fax 941-254-7902
© 2012 J&A ASSOCIATES ENGINEERS AND MANAGERS, INC.

CONDUIT NO.	SECONDARY RUN OR CIRCUIT NO.	FROM	TO	COND. SIZE	NO. SEALS	NO. WIRES	WIRE SIZE	WIRE MARKING		PURPOSE OF CIRCUIT	REMARKS
								COLOR	WIRE NO.		
M100A		EXISTING SWITCHGEAR 84 (BUS #2)	PROPOSED MCC-RW (BUS #2)	3"	-	3	350 KCMIL			PROPOSED MCC-RW BUS #2 POWER	
M100B		EXISTING SWITCHGEAR 84 (BUS #2)	PROPOSED MCC-RW (BUS #2)	3"	-	1	#4/0 GND.			PROPOSED MCC-RW BUS #2 POWER	
M100C		EXISTING SWITCHGEAR 84 (BUS #2)	PROPOSED MCC-RW (BUS #2)	3"	-	3	350 KCMIL			PROPOSED MCC-RW BUS #2 POWER	
M100D		EXISTING SWITCHGEAR 84 (BUS #2)	PROPOSED MCC-RW (BUS #2)	3"	-	1	#4/0 GND.			PROPOSED MCC-RW BUS #2 POWER	
M101A		EXISTING SWITCHGEAR 84 (BUS #1)	PROPOSED MCC-RW (BUS #1)	3"	-	3	350 KCMIL			PROPOSED MCC-RW BUS #1 POWER	
M101B		EXISTING SWITCHGEAR 84 (BUS #1)	PROPOSED MCC-RW (BUS #1)	3"	-	1	#4/0 GND.			PROPOSED MCC-RW BUS #1 POWER	
M101C		EXISTING SWITCHGEAR 84 (BUS #1)	PROPOSED MCC-RW (BUS #1)	3"	-	3	350 KCMIL			PROPOSED MCC-RW BUS #1 POWER	
M101D		EXISTING SWITCHGEAR 84 (BUS #1)	PROPOSED MCC-RW (BUS #1)	3"	-	1	#4/0 GND.			PROPOSED MCC-RW BUS #1 POWER	
M102		PROPOSED MCC-RW (BUS #2)	EXISTING PUMP 4 AFD	3"	-	3	350 KCMIL			EXISTING PUMP 4 AFD POWER	
M103		PROPOSED MCC-RW (BUS #2)	EXISTING PUMP 2 AFD	3"	-	1	#3 GND.			EXISTING PUMP 2 AFD POWER	
M104		PROPOSED MCC-RW (BUS #1)	EXISTING PUMP 3 AFD	3"	-	3	350 KCMIL			EXISTING PUMP 3 AFD POWER	
M105		PROPOSED MCC-RW (BUS #1)	PROPOSED PUMP 1 AFD	3"	-	1	#3 GND.			PROPOSED PUMP 1 AFD POWER	
M106		PROPOSED PUMP 1 AFD	EXISTING PULL BOX	3"	-	3	350 KCMIL			PROPOSED PUMP 1 POWER	EXISTING 3" CONDUIT
M107		EXISTING PULL BOX	PROPOSED PUMP 1	3"	-	2	#10			MOTOR SPACE HEATER POWER	
						3	350 KCMIL			PROPOSED PUMP 1 POWER	PROVIDE LIQUIDTIGHT FLEXIBLE NON-METALLIC CONDUIT CONNECTION TO MOTOR
						1	#3 GND.				
C200		EXISTING STAR CONTROLLER PLC	PROPOSED PUMP 1 AFD	1 1/4"	-	10	#12			PROPOSED PUMP 1 AFD CONTROL/STATUS	SEE NOTE 3
						4	#12 SPARE				
						1	#12 GND.				
C201		EXISTING STAR CONTROLLER PLC	EXISTING REUSE LOCAL CONTROL PANEL	1"	-	7	#12			PROPOSED PUMP 1 AFD CONTROL/STATUS & CHECK VALVE LIMIT SWITCH STATUS	SEE NOTE 3
						2	#12 SPARE				
						1	#12 GND.				
C202		EXISTING REUSE LOCAL CONTROL PANEL	CHECK VALVE LIMIT SWITCH	3/4"	-	2	#12			CHECK VALVE LIMIT SWITCH STATUS	SEE NOTE 3
						1	#12 GND.				
A300		EXISTING STAR CONTROLLER PLC	PROPOSED PUMP 1 AFD	1"	-	2	2/C #16 SHLD.			AFD SPEED INPUT/OUTPUT	BELDEN 8719. SEE NOTE 3.
						1	1.5 PR #22 SHLD.			RS-485/MODBUS	BELDEN 3106A. SEE NOTE 3.
A301		EXISTING STAR CONTROLLER PLC	PROPOSED MCC-RW (BUS #2)	3/4"	-	2	1.5 PR #22 SHLD.			BUS 1 & BUS 2 POWER METER RS-485/MODBUS	BELDEN 3106A. SEE NOTE 3.
A302		EXISTING STAR CONTROLLER PLC	EXISTING PUMP 2 AFD	3/4"	-	1	1.5 PR #22 SHLD.			AFD 2, AFD 3 & AFD 4 RS-485/MODBUS	BELDEN 3106A. SEE NOTE 3.
A303		PROPOSED PUMP 1 AFD	PROPOSED PUMP 1 RTD JUNCTION BOX	1 1/2"	-	8	3/C #16 SHLD.			PUMP 1 RTD'S	BELDEN 8618. SEE NOTE 1.
A304		EXISTING STAR CONTROLLER PLC	EXISTING SWITCHGEAR 84	3/4"	-	2	1.5 PR #22 SHLD.			EXISTING POWER METER RS-485/MODBUS	BELDEN 3106A. SEE NOTE 3 & 4.
A305		FLOW METER TOTALIZER	FLOW METER	1 1/4"	-	1	7/C SHLD.			FLOW METER SIGNALS	CABLE PROVIDED BY FLOW METER MANUFACTURER. SEE NOTE 5.

NOTES:

- COORDINATE PUMP RTD CONNECTIONS & JUNCTION BOX INSTALLATION w/ PUMP SUPPLIER.
- THE SHIELD & DRAIN WIRES FOR SHIELDED CABLES SHALL BE GROUNDED AT THE EXISTING STAR CONTROLLER PLC ONLY. THE SHIELD & DRAIN WIRE AT THE END DEVICE SHALL BE NEATLY TRIMMED AND TAPED WITH 2 LAYERS OF VINYL ELECTRICAL TAPE (SCOTCH 33+).
- PROVIDE ALL CONDUIT & CONDUCTORS ROUTED TO THE EXISTING STAR CONTROLLER PLC. CITY WILL BE RESPONSIBLE FOR TERMINATION & CONNECTIONS IN THE EXISTING STAR CONTROLLER PLC, PROGRAMMING THE EXISTING STAR CONTROLLER PLC AND PROGRAMMING THE HOST COMPUTER/HMI AS REQUIRED.
- COORDINATE RS-485/MODBUS CONNECTIONS TO EXISTING POWER METERS WITH EQUIPMENT MANUFACTURER. PROVIDE ADDITIONAL HARDWARE AS REQUIRED.
- COORDINATE CABLE LENGTH, NO. OF CONDUITS, DETAILS & INSTALLATION w/ FLOW METER MANUFACTURER.

Engineering Design Technologies Corp.
P.O. Box 152403
Tampa, FL 33604-2403
813.282.9184 FAX
813.282.9184 FAX
eng@edtc1.com

EDT

ENGINEER OF RECORD:
BOB E. HALLMAN, P.E.
FLORIDA REGISTRATION NO. 20761

Certificate of Authorization Number: 4795

HFC AWTP RCW PUMP STATION IMPROVEMENTS (ATLAS K-13)

DATE: 01/06/2014
PROJECT NUMBER: 31021JA
SHEET NUMBER: E-12

J & A Associates
Engineers and Managers, Inc.
4900 Manatee Avenue West, Suite 203
Bradenton, FL, 34209
Phone 941-254-7901 Fax 941-254-7902
© 2012 J&A ASSOCIATES ENGINEERS AND MANAGERS, INC.

NO.	REVISIONS	DATE	BY

SCALE: DESIGNED BY: STK
DRAWN BY: RWB
CHECKED BY: BET

PROFESSIONAL ENGINEER:
BOB E. HALLMAN, P.E.
REGISTRATION NO. 20761
DATE:

CONDUIT SCHEDULE

Sign-In Sheet Please Print

City of Tampa, Contract Administration Department

	Name	Organization	E-Mail OR Phone
1	Jody Gray	Tampa Contract Administration Dept.	jody.gray@tampagov.net
2	Sean Kendrick	EDT	BHALL@EDT1.COM 813.289.8080
3	JAMES M TRACEL	U.S. WATER	JTRACEL@USWATERCORP.NET 727-848-8292 x237
4	EDWARD J KIENO	U.S. WATER	TKIENO@USWATERCORP.NET 727-919-1761
5	MARK TEMPEST	ICONTECH (Yaskawa)	mtempest@icon-tech.com 813-936-2030
6	Rick Morris	COT/CAP	---
7	Mark Johnson	COT/CAP	---
8	Mike Maloy	COT/CAP	813-323-2658
9	John Babuka	Reliable Electric	813-363-1941 JOHN@RELIABLEELECTRICUSA.COM
10	MARK HRATH	TLC	MHRATH@TLCPIERSIFIED.COM
11	ALEX ZETTEL	RTD CONSTRUCTION	DIBS@RTDCONSTRUCTION.COM
12	Krofton Owen	Sherwin Williams	SWRFP6198@SHERWIN.COM
13	Ron Turner	DB Construction	turner01@tampabay,rr.com
14	Helia Yazdian	Wharton-Smith, Inc	estimatingtampa@whartonsmith.com
15	Ashley Miele	J&A Associates	ashley.miele@jaassociatesinc.com
16	Joe Spence	COT	joe.spence42@TAMPAGOV.NET
17	Courtney Kuhn	ENVIRO-Tech Systems, Inc	KUHNCA@enviro-tech.cc 813-763-3143
18	Eddie Granger	Granger Maint. & Const. Inc	eddie.granger@grangermaint.com
19	JACK FERRAS	COT-WASTEWATER DESIGN	JACK.FERRAS@TAMPAGOV.NET
20	MARK GATZ	BAY AREA ELECTRIC	MARK@BAYAREAELECTRICFL.COM
21	Andrew Chibani	Carter + VerPlanck	Andrew.Chibani@carterverplanck.com (813) 287-0709
22			
23			
24			
25			
26			
27			
28			
29			
30			
31			
32			
33			
34			
35			
36			