



# CITY OF TAMPA

Bob Buckhorn, Mayor

CONTRACT ADMINISTRATION DEPARTMENT

David L. Vaughn, AIA, Director

## ADDENDUM NO. 1

**DATE: May 22, 2014**

Contract 14-C-00039; Chelsea Trunk Sewer Rehabilitation by Cured-in-Place Pipe

Bidders on the above referenced project are hereby notified that the following addendum is made to the Contract Documents. BIDS TO BE SUBMITTED SHALL CONFORM TO THIS NOTICE.

- Item 1: Replace Proposal page P-3 with the attached page P-3R.
- Item 2: Add to the Contract Items the attached Contract Item 4660 Series – PVC Cleanout.
- Item 3: Replace Specific Provision SP-135 with the attached SP-135R.
- Item 4: Add to the Specific Provisions the attached SP-136 Bypass at Central Avenue and Chelsea Street.
- Item 5: Insert the attached Plan Sheets 5 and 6.
- Item 6: Attached for reference is the pre-bid meeting sign-in sheet.

All other provisions of the Contract Documents and Specifications not in conflict with this Addendum shall remain in full force and effect. Questions are to be e-mailed to [ContractAdministration@tampagov.net](mailto:ContractAdministration@tampagov.net).

*Jim Greiner*

\_\_\_\_\_  
Jim Greiner, P.E., Contract Management Supervisor

Item No.	Description	Unit	Approx. Quantity	Unit Price in Words	Unit Price	Total Computed Price
100	Contingency	LS	1	Ten Thousand Dollars and No Cents	\$ 10,000.00	\$ 10,000.00
102	Maintenance of Traffic	LS	1		\$	\$
0400	Cured in Place Pipe for 18" Dia. Gravity Sewer (.354 inch thick)	LF	3,558		\$	\$
0601.18	Hydraulic Cleaning & Inspection of 18" Dia. Gravity Sewer	LF	760		\$	\$
0620.18	Cleaning & Inspection of Tuberculated Cast Iron 18" Dia.	LF	2,798		\$	\$
0700	Disposal of Debris	CY	50		\$	\$
2050	Reconnect Service Connections	EA	26		\$	\$
4660	6-inch Diameter PVC cleanout and cover	EA	26			
9050	Sewage Bypass Pumping for 18" Dia. Sewer	LF	3,558		\$	\$
9000	Sewer Bypass with Tanker Truck	ED	10		\$	\$
					TOTAL	\$

Contract 14-C-00039; Chelsea Trunk Sewer Rehabilitation by Cured-in-Place Pipe

CONTRACT ITEM 4660 SERIES – PVC CLEANOUT

The work includes furnishing and installing PVC plugs, PVC pipe and fittings with flexible or rigid coupling connecting to the existing or new pipe, cast iron or HDPE covers, and setting the cleanouts to the lines and grades shown on the Plans, existing, or furnished by the Engineer.

If the cleanout will be located within the grass or landscaped area, the cover shall be HDPE. If the cleanout will be located within a driveway or sidewalk, the cover shall be cast iron. Payment for the cleanout will be made regardless of the type of cover used.

The quantity of Cleanout units to be measured for payment will be the actual number of such units installed in the work.

Payment for Cleanout units will be made at the Contract Item Unit Price per cleanout.

SP-135R Cleaning and Inspecting Cast Iron Pipe

In order to maximize the hydraulic capacity of the pipe and to prevent further tuberculation, the existing tuberculation must be removed until the original internal diameter of the pipe is attained or until a smooth uniform surface is provided. In either case, it is not the City's intent to remove sound metal. However, it is essential that a smooth, uniform surface is established to allow the liner resins to migrate along the pipe wall and encapsulate any remaining tuberculation.

Special consideration needs to be made when determining the unit cost of tuberculated pipe cleaning. The City will not approve additional compensation as a result of the extra time necessary to clean these pipes. The tuberculation shall be assumed as very hard and difficult to clean based on the City's past projects. This pipe also contains significant amounts of sand. Removal sand and other debris will be included in the unit cost for pipe cleaning. The bid amount should realistically reflect this difficult and time consuming cleaning operation.

The Contractor shall submit the cleaning procedure for approval by the City prior to starting construction. The Contractor shall take every precaution necessary to avoid damage to the pipe. The appropriate cleaning method shall be carefully selected to prevent damage of the pipe, but effectively remove the tuberculation. During the removal of the tuberculation, The City will require a camera positioned in the pipe to view the progress and effectiveness of the cleaning operations and to make sure that the cleaning efforts are not damaging the pipe. The contractor shall stop cleaning if additional cleaning will damage the pipe. The City will make final determination if cleaning should be stopped. Should the pipe be damaged as a result of the approved cleaning efforts or procedures, the City will be responsible for the repairs. However, if the pipe is damaged as a result of the Contractor not following the approved cleaning efforts or procedures and or as a result of negligence, , the Contractor shall be responsible for the point repair required to install the CIPP liner. The City reserves the right to request a change in the cleaning method if the approved method appears to be ineffective or destructive to the existing pipe. No cleaning operations shall be performed without a City representative being present onsite, unless approved otherwise by the Engineer. The working hours shall be closely coordinated with the City representative.

It is the intent of the engineer to reestablish as much as the original inside diameter as listed in the table below without damaging the pipe. The City will determine when the pipe has been sufficiently cleaned to proceed with the installation of the pipe liner. This determination will be based the condition of each pipe segment and the amount of cleaning that can be achieved without damaging the pipe.. The CIPP liner shall not be ordered until after the cleaning is completed and the final liner diameter is determined and approved by the City. If the internal diameter as indicated in the table below cannot be achieved, the Contractor shall submit a cost proposal/credit for installing a smaller diameter cured in place pipe liner to the City for approval.

After the internal diameter has been verified, the Contractor shall provide the City with a video tape of the cleaned sewer during normal working hours (Monday through Friday, 8:00 a.m. through 5:00 p.m.). The Engineer will review the tape to determine if additional pipe cleaning will be required.

TABLE A		
Nominal Diameter (Inches)	Ductile Iron Pipe Internal Diameter* (Inches)	Cast Iron Pipe Internal Diameter** (Inches)
18	18.56	18.04

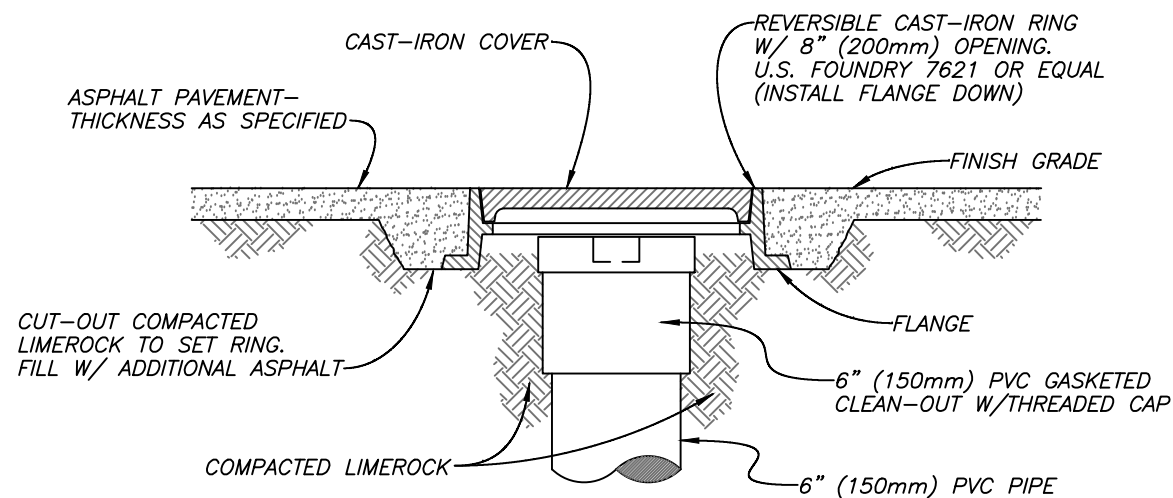
\* Based on an assumed Class 54 pipe.

\*\*Based on an assumed thickness Class 25 pipe.

SP- 136 Bypass at Central Ave and Chelsea St.

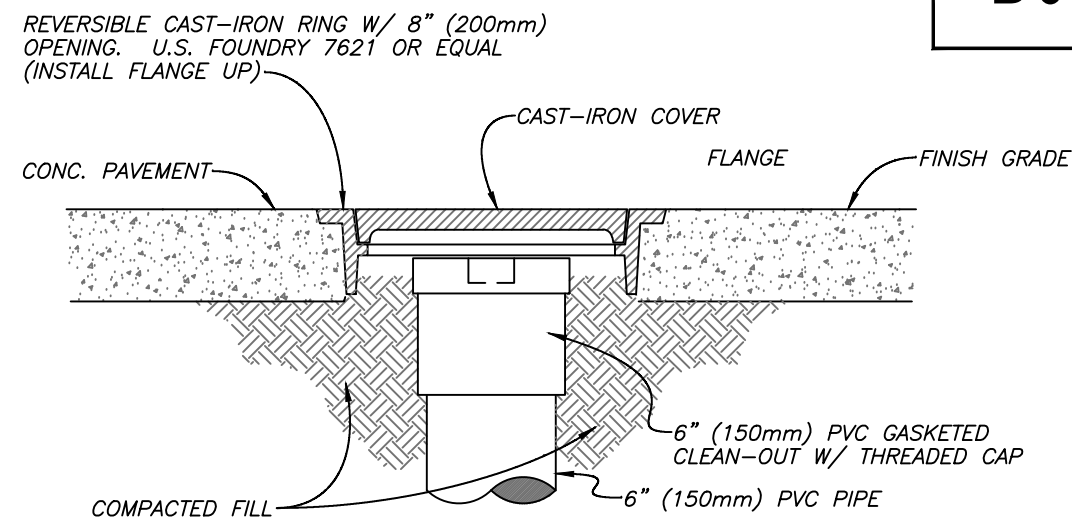
The Contractor shall be permitted to use vehicular bypass ramps across Central Ave at Chelsea St. The contractor shall schedule its cleaning and lining work in such a manner as to minimize the duration of the vehicular ramps.

The Contractor shall be responsible for providing proper notification and signs to advise and caution vehicular traffic of speed bump ahead during the use of the bypass ramps. The posted speed limit shall be reduced to 10 MPH or less at the ramp locations. All signage shall be in accordance with the appropriate FDOT Index drawings. The bypass ramps shall be submitted and approved by the Engineer.



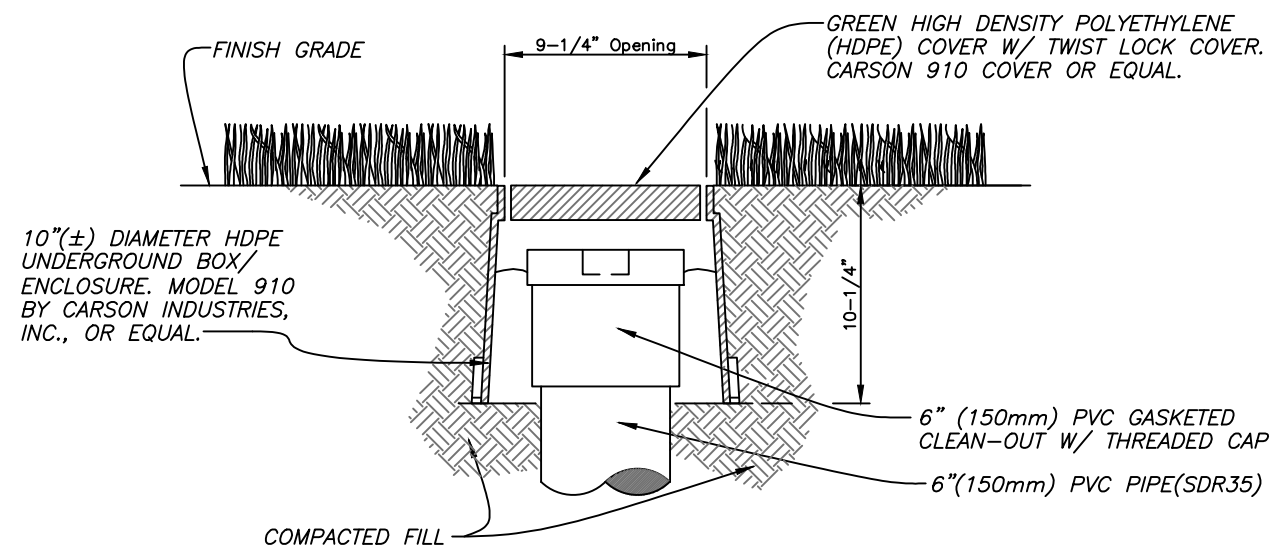
CLEAN-OUT W/ COVER FOR ASPHALT PAVED AREAS

Not to Scale



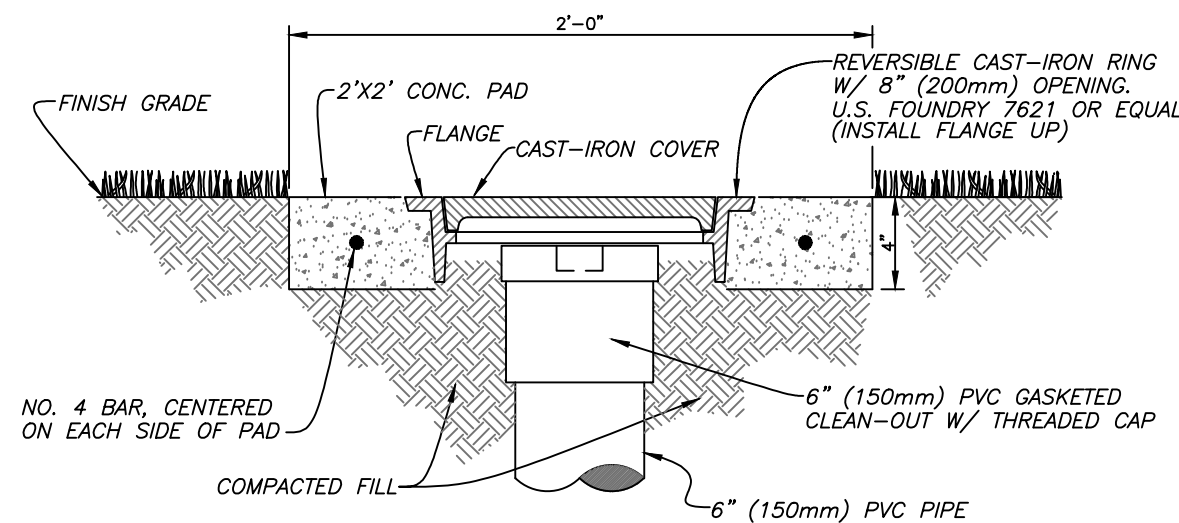
CLEAN-OUT W/ COVER FOR CONCRETE PAVED AREAS

Not to Scale



CLEAN-OUT W/ COVER FOR GRASS (NON-VEHICULAR TRAFFIC) AREAS

Not to Scale



CLEAN-OUT W/COVER FOR GRASSED AREAS W/VEHICULAR TRAFFIC

Not to Scale

NOTES:

- Contractor shall adjust the clean-out and cast iron ring and cover or HDPE box and cover so that the cover is seated securely and the top of the cover is flush with the finish grade. The PVC cap of the clean-out shall be no more than 4 inches deeper than the finish grade.
- PVC cap may be provided with recessed nut.
- Cast iron cover shall be provided with an embossed letter "S" for identification, HDPE cover shall be marked "SEWER" for identification.
- Cast iron ring and cover, or HDPE box and cover, as well as the four (4 sf) square feet of material (concrete or asphalt around the clean-out), are part of the clean out installation and cost shall be included within the unit price for clean-out with no additional payment.
- All clean-outs on this project shall be one of the four types shown on this sheet. Field conditions will determine which type.

CLEANOUT COVER DETAILS

NOT TO SCALE

K:\WW\_Projects\2014\2014\_5984\_Chelsea\_Pipe\_Lining\Drawings\5984-Sheet-05-400 Scale.DWG

JACINTO CARLOS FERRAS, P.E. #49454  
DESIGN DIVISION HEAD  
WASTEWATER DEPARTMENT

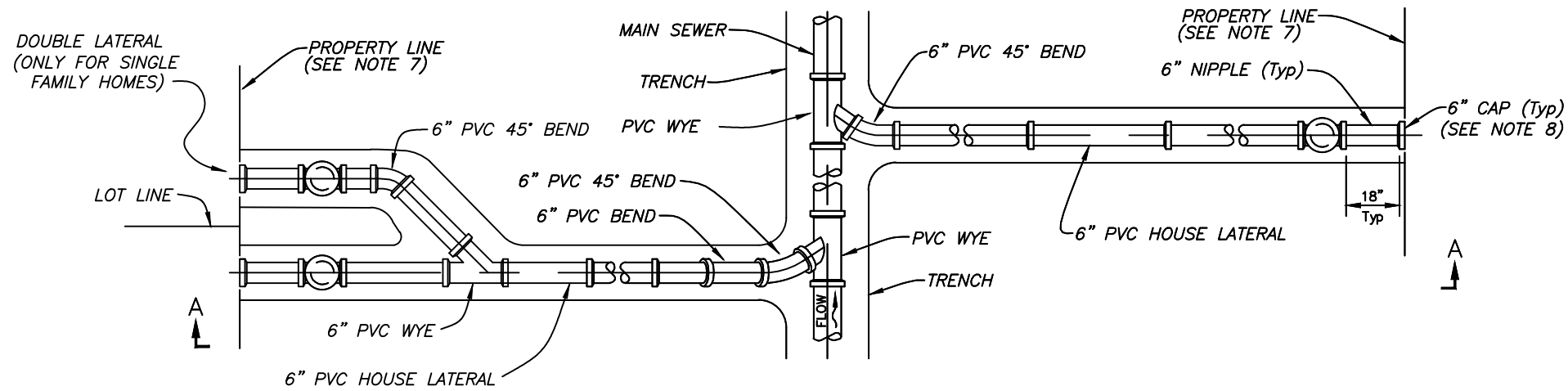
No.	DATE	REVISIONS
3		
2		
1	05/21/14	THIS SHEET ADDED BY ADDENDUM

DES: CB  
DRN: BB  
CKD:  
DATE:

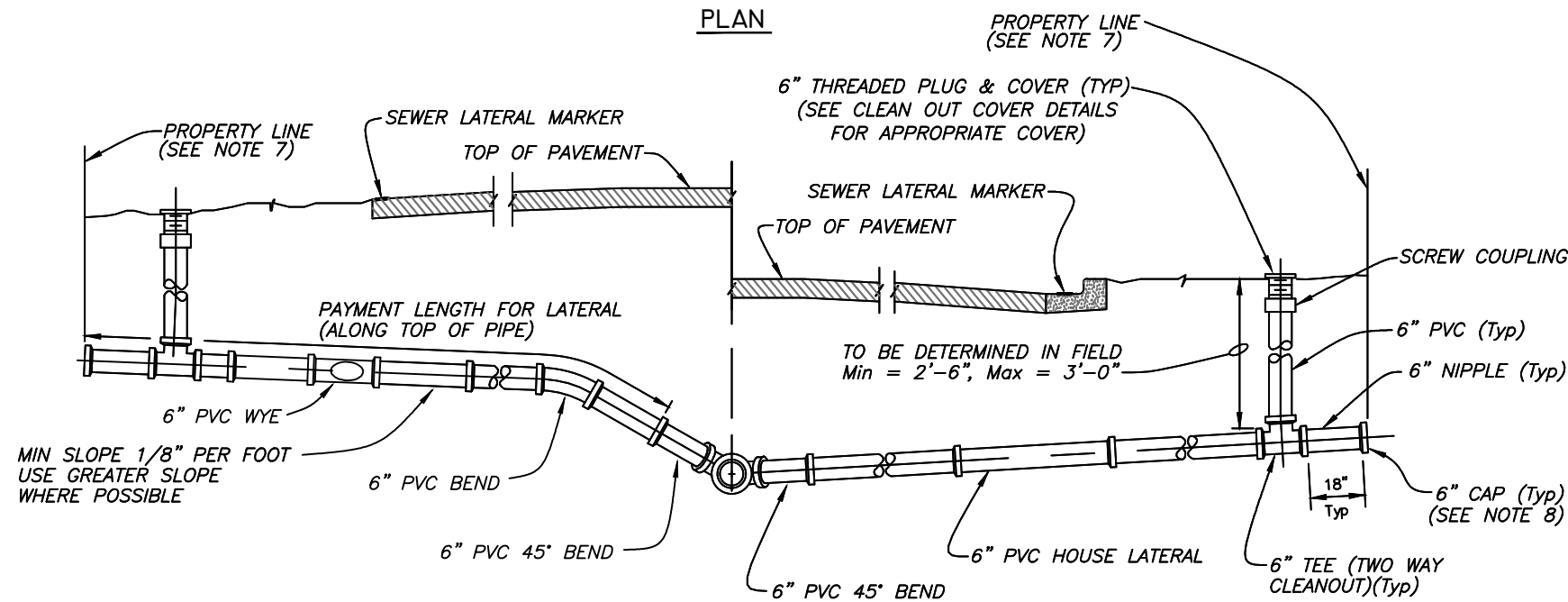
CITY of TAMPA  
WASTEWATER DEPARTMENT

CHELSEA STREET  
18" PIPE REHABILITATION BY CURED-IN-PLACE PIPE  
CLEANOUT COVER DETAILS (BY ADDENDUM)

W.O. 5984  
SHEET  
5  
OF 6



PLAN



SECTION A-A

**TYPE A HOUSE LATERAL DETAIL**

NOT TO SCALE

NOTES:

1. The locations of house laterals by symbols on plans are approximate only and the actual location and slopes will be determined in the field by the contractor with the approval of the engineer.
2. The minimum diameter of all house laterals shall be 6 inches.
3. The vertical alignment of the service lateral shall be designed so that no more than two (2) vertical bends are required between the connection to the gravity main and the property line.
4. House laterals which pass under drainage ditches with less than 18" of cover or which have less than 30" of cover under pavement shall be Pressure Class 350 with 40 mils (MDF) of Protecto 401 interior coating per specifications.
5. A minimum vertical clearance of 12-inches shall be provided when crossing above a water main. However, a vertical clearance less than 12-inches but greater than 6-inches will be allowed if the lateral is installed using one the following criteria:

- The lateral is constructed of ductile iron pipe with a minimum pressure class of 350 with 40 mils (MDF) of Protecto 401 interior coating.
- The lateral is encased in at least 4-inches of concrete.
- The lateral is installed in a casing pipe with an impact strength equal to the impact strength of pressure class 350 ductile iron.

A minimum of 6-inches of vertical clearance shall be provided when crossing below water mains with a diameter 6-inches or less. A minimum of 12-inches of clearance shall be provided when crossing below a water main with a diameter greater than 6-inches up to a diameter of 18-inches. A minimum of 18-inches of vertical clearance will be required when crossing under a water main with diameters greater than 18-inches.

At all water main crossings, joints of the lateral pipe at the crossing shall be arranged so that no joint is within 6-ft of a joint along the water main. If the joint spacing can not be achieved, then the gravity sewer at the crossing shall be constructed of C-900 PVC.

A minimum vertical clearance of 6-inches shall be provided when crossing above all utilities other than a water main. A minimum of 6-inches of vertical clearance shall be provided when crossing below a utility with a diameter 6-inches or less. A minimum of 12-inches of clearance shall be provided when crossing below a utility with a diameter greater than 6-inches up to a diameter of 18-inches. A minimum of 18-inches of vertical clearance will be required when crossing under utilities with diameters greater than 18-inches.

6. Transitions from SDR 35 PVC to either C900 or ductile iron pipes shall be made with PVC rigid adaptors. Transitions from SDR 35 PVC to either existing clay or concrete pipes shall be made with a Fernco 1000 series flexible coupling with stainless steel shear ring or approved equal.
7. In sub-divisions where the Developer has provided a recorded utility easement (typically 10') beyond the property line, the clean out shall be installed within the easement away from the sidewalk.
8. At the direction of the City's inspector, the contractor shall temporarily stake the cap of all laterals at the property line with a 2"x4" treated wood stake.
9. Double laterals are only allowed for single family homes on single lots.

K:\WW\_Projects\2014\2014\_5984\_Pipe Lining\Drawings\Sheet-05-400 Scale.DWG

JACINTO CARLOS FERRAS, P.E. #49454  
DESIGN DIVISION HEAD  
WASTEWATER DEPARTMENT

No.	DATE	REVISIONS
3		
2		
1	05/21/14	THIS SHEET ADDED BY ADDENDUM

DES: CB  
DRN: BB  
CKD:  
DATE:

CITY of TAMPA  
WASTEWATER DEPARTMENT

CHELSEA STREET  
18" PIPE REHABILITATION BY CURED-IN-PLACE PIPE  
NEW LATERAL DETAIL

W.O. 5984  
SHEET  
6  
OF 6

**CONTRACT 14-C-00039; CHELSEA TRUNK SEWER REHAB. BY C.I.P.P. - PRE-BID CONF. 5/13/2014**

E-Mail to Register as a Plan Holder and E-Mail All Questions to; [ContractAdministration@tampagov.net](mailto:ContractAdministration@tampagov.net)

Sign-In Sheet  Please Print

City of Tampa, Contract Administration Department

	Name	Organization	E-Mail OR Phone
1	Jim Greiner, PE	Tampa Contract Administration Dept.	Jim.Greiner@tampagov.net
2	Casey Piecorone	STV Incorporated	casey@stvinc.biz
3	DOUG HAWKINS	SELECT ENVIRONMENTAL	813-967-4962
4	JOHN SUNDERMAN	LAYNE INLINER	386-279-9412
5	HOWARD BLAIR	HOLLAND PUMP	Howard@Hollandpump.com
6	Jed Church	Xylem Dewatering	jed.church@xylem.com
7	BRANDON GERBER	INSITUFORM Tech	bgerber@insituform.com
8	Cassidy Barrett	COT WW Design	Cassidy.Barrett@tampagov.net
9	JACK FERRAS	COT WW DESIGN	JACK.FERRAS@TAMPAGOV.NET
10			
11			
12			
13			
14			
15			
16			
17			
18			
19			
20			
21			
22			
23			
24			
25			
26			
27			
28			
29			
30			
31			
32			
33			
34			
35			
36			