



CITY OF TAMPA

Bob Buckhorn, Mayor

CONTRACT ADMINISTRATION DEPARTMENT

Michael W. Chucran, Director

ADDENDUM NO. 3

DATE: July 7, 2016

Contract 15-C-00021; Howard F. Curren AWTP HPO Gearbox/Mixer Upgrades and Piping Replacement

Bidders on the above referenced project are hereby notified that the following addendum is made to the Contract Documents. BIDS TO BE SUBMITTED SHALL CONFORM TO THIS NOTICE.

Item 1: The bid date is hereby changed to July 19, 2016.

Item 2: Replace plan sheets 3, 5 and 6 with the attached plan sheets 3, 5 and 6.

All other provisions of the Contract Documents and Specifications not in conflict with this Addendum shall remain in full force and effect. Questions are to be e-mailed to Contract Administration@tampagov.net.

Jim Greiner

Jim Greiner, P.E., Contract Management Supervisor

GENERAL NOTES

1. THE CONTRACTOR SHALL COORDINATE ALL CONSTRUCTION ACTIVITIES WITH THE CONTRACT ADMINISTRATION DEPARTMENT, WASTEWATER PERSONNEL AND AWWP OPERATIONS. THE FUNCTION OF THE AWWP SHALL NOT BE COMPROMISED AT ANYTIME.
2. THE CONTRACTOR SHALL VERIFY QUANTITIES OF ALL NECESSARY PIPES, VALVES, REDUCERS, FITTINGS, SUPPORTS, AND ANY MISCELLANEOUS BRACKETS.
3. SALVAGEABLE MATERIAL AS DETERMINED BY DEPARTMENT PERSONNEL, SHALL BE DELIVERED TO THE PARTS WAREHOUSE LOCATED ON THE TREATMENT PLANT SITE. NON-SALVAGEABLE MATERIALS ARE TO BE REMOVED FROM THE SITE AND PROPERLY DISPOSED OF AT THE CONTRACTORS EXPENSE.
4. SHOP DRAWINGS SHALL BE SUBMITTED TO AND APPROVED BY THE ENGINEER FOR ALL PROPOSED ITEMS. ALL SUBMITTALS AND SHOP DRAWINGS SHALL BE ORIGINALS OR HIGH QUALITY COPIES (CLEARLY LEGIBLE). NO FAXED SHEET OR POOR QUALITY COPIES WILL BE ACCEPTED FOR SUBMITTAL REVIEW.
5. OSHA STANDARD SAFETY EQUIPMENT, SUCH AS SAFETY HARNESES, GAS MONITORS, LOWER EXPLOSIVE LIMIT (LEL) DETECTORS, BREATHING APPARATUS, PERSONAL RETRIEVAL SYSTEMS, ETC. SHALL BE UTILIZED WHERE THE WORK DICTATES THEIR USE.
6. THESE DRAWINGS DO NOT INCLUDE NECESSARY COMPONENTS FOR CONSTRUCTION SAFETY AND THE CONTRACTOR IS SOLELY RESPONSIBLE FOR CONSTRUCTION SAFETY.
7. THE CONTRACTOR'S WORK FORCE SHALL SECURE THEIR TOOLS, EQUIPMENT AND SUPPLIES DURING ALL PERIODS OF THEIR ABSENCE. IF REQUESTED, THE ENGINEER WITH AWWP PERSONNEL WILL DESIGNATE A CLOSE-BY LOCATION FOR THE CONTRACTOR'S TRAILER(S) AND / OR STORAGE BOXES).
8. THE CONSTRUCTION SITE SHALL BE MAINTAINED IN AS NEAT AND ORDERLY CONDITION AS POSSIBLE DURING CONSTRUCTION OPERATIONS. SITE SHALL BE SECURED WITH TEMPORARY FENCING AND STRUCTURES DURING HOURS WHEN CONTRACTOR IS NOT PRESENT TO ENSURE SAFETY OF CITY PERSONNEL AND THE PUBLIC.
9. ANY AREA DISTURBED SHALL BE RESTORED TO ITS ORIGINAL CONDITION. THE COST OF ALL RESTORATION SHALL BE BORNE BY THE CONTRACTOR.
10. ANY PLANNED SERVICE INTERRUPTION TO THE NORMAL PLANT OPERATION SHALL BE MADE IN WRITING VIA THE ENGINEER IN SUFFICIENT ADVANCE NOTICE TO ALLOW THE AWWP PERSONNEL TO APPROVE/DISAPPROVE THE REQUEST A MINIMUM OF 2 WEEKS IN ADVANCE. INTERRUPTION SHALL BE KEPT TO THE MINIMUM DURATION AND FREQUENCY AS POSSIBLE.
11. EXISTING VALVES SHALL ONLY BE CLOSED OR OPENED BY AWWP PERSONNEL. LIKEWISE, ALL AWWP EQUIPMENT SHALL ONLY BE DE-ENERGIZED OR ENERGIZED BY AWWP PERSONNEL.
12. ALL MATERIALS USED IN THE CONSTRUCTION OF THIS PROJECT SHALL BE NEW AND UNUSED AND SHALL CONFIRM TO THE LATEST LOCAL JURISDICTION STANDARDS, UNLESS OTHERWISE NOTED.
13. ALL HARDWARE OUTSIDE OF THE MIXING CHANNEL, UNLESS OTHERWISE NOTED, SHALL BE CARBON STEEL.
14. THE PROPOSED DIMENSIONS, ELEVATIONS AND LAYOUTS ARE DERIVED FROM EARLIER PLAN SETS AND VISUAL OBSERVATIONS. THE CONTRACTOR SHALL VERIFY THE DIMENSIONS, DETAILS AND SIZES PRIOR TO CONSTRUCTION AND NOTIFY THE ENGINEER OF SIGNIFICANT DISCREPANCIES FROM THE PLANS.
15. THE CONTRACTOR SHALL BE RESPONSIBLE FOR THE PROTECTION OF THE EXISTING STRUCTURES AND FACILITIES AND SHALL MAKE REPAIRS OR INSTALL NEW AT HIS OWN EXPENSE ANY DAMAGE CAUSED BY HIM, WITH NO COST TO THE CITY.
16. THE CONTRACTOR SHALL BE RESPONSIBLE TO MAKE A REVIEW OF THE SITE TO DETERMINE EXISTING CONDITIONS. ANYTHING NOT SHOWN ON THESE PLANS SHALL BE BROUGHT TO THE ATTENTION OF THE ENGINEER.
17. THE PROPOSED RETURNED SLUDGE PIPING SHALL BE WELDED STEEL PIPE (SEE SPECIFICATIONS). ALL PIPE FITTINGS AND COUPLINGS DESIGNATED TO BE REPLACED IN-KIND MATCHING ALL EXISTING DIMENSIONS. THE PIPE INTERIOR SHALL BE COATED WITH 60 MILS OF PERMITE GLASS EPOXY. THE EXTERIOR SHALL BE PAINTED PER SPECIFICATIONS.
18. ALL METAL SURFACES THAT COME IN CONTACT WITH CONCRETE SHALL RECEIVE 2-COATS OF COAL TAR EPOXY APPLIED TO THE METAL SURFACE IN ACCORDANCE WITH MANUFACTURE'S RECOMMENDATIONS.
19. AREAS OF THE CONCRETE FLOOR DISTURBED FROM THE REMOVAL OF THE EXISTING PIPE SUPPORTS PEDESTALS SHALL BE REFINISHED TO PROVIDE A SMOOTH CONCRETE SURFACE. CONTRACTOR SHALL SUBMIT PROPOSED METAL PIPE SUPPORT AND ANCHOR DETAILS FOR APPROVAL.
20. THE CONTRACTOR IS RESPONSIBLE FOR MEETING ALL FEDERAL, STATE AND LOCAL GOVERNMENT REGULATIONS IN REGARDS TO WORKING IN CONFINED SPACES.
21. UNLESS OTHERWISE INDICATED, CHEMICAL ANCHORS SHALL BE HILTI HIT-HY 150 MAX ANCHORING SYSTEM WITH TYPE 316 STAINLESS STEEL THREADED RODS, OR EQUAL. HILTI ADHESIVE ANCHORS SHALL BE INSTALLED IN STRICT ACCORDANCE TO MANUFACTURER'S INSTRUCTIONS.

22. PRIOR TO TURNING OVER ANY WORK TO THE CITY, ALL PIPING AND VALVE SYSTEMS SHALL BE FREE OF LEAK. ALL ELECTRICAL AND INSTRUMENTATION SYSTEMS SHALL BE CHECKED AND FUNCTIONALITY CONFIRMED.
23. THE CONTRACTOR SHALL INSTALL NEW IMPELLER BLADES AND HUBS IF EXISTING BLADES AND HUBS ARE MISSING OR DAMAGED. THE CITY WILL FURNISH THE NEW IMPELLER BLADES OR HUBS FOR INSTALLATION. THE CONTRACTOR SHALL PROVIDE ALL STAINLESS STEEL HARDWARE TO MATCH EXISTING. EXACT QUANTITY OF IMPELLER BLADES TO BE REPLACED IS UNKNOWN BUT SHOULD NOT EXCEED A TOTAL OF 5.
24. THE EXISTING IMPELLER SHAFTS WILL BE REUSED AND CONNECTED TO THE GEARBOX ASSEMBLY. SHAFT ASSEMBLIES SHALL BE MODIFIED BY THE MIXER DRIVE MANUFACTURER AS REQUIRED TO INCLUDE A RIGID COUPLING LOCATED BELOW THE GEARBOX ASSEMBLY TO CONNECT THE EXISTING SHAFT TO THE GEARBOX OUTPUT SHAFT. SEE SPECIFICATION FOR ADDITIONAL IMPELLER SHAFT REQUIREMENTS.
25. THE CONTRACTOR SHALL REMOVE ALL DEBRIS FROM REACTOR #3. THE DEBRIS SHALL BE REMOVED FROM THE REACTORS AND TEMPORARILY PLACED IN DRYING BEDS DESIGNATED BY THE CITY. AT THE COMPLETION OF THE PROJECT, THE CONTRACTOR SHALL COORDINATE TO HAVE THE CITY LOAD THE MATERIAL INTO TRUCKS FOR PROPER LANDFILL DISPOSAL. THE CITY WILL PAY THE CONTRACTOR BASED ON TONNAGE AS DETERMINED BY WEIGHT TICKETS AND THE CONTRACTOR'S UNIT COST BID PER TON ON DEBRIS REMOVED FROM THE DRYING BEDS. THE CITY ESTIMATES 900 TONS (500 CY) OF DEBRIS WILL NEED TO BE REMOVED.

26. CITY FORGES HAVE RECENTLY REPLACED THE EXISTING GEARBOX AND MOTOR FOR UR-MA-15 WITH A PHILADELPHIA MIXER GEARBOX AND MOTOR. THIS GEARBOX AND MOTOR ASSEMBLY WILL NOT HAVE TO BE REPLACED BUT WILL HAVE TO BE REMOVED AND REINSTALLED AS REQUIRED TO REPLACE THE STEEL PLATE SUPPORT AND PROVIDE ACCESS INSIDE THE REACTOR. THE OTHER GEARBOX AND MOTOR ASSEMBLIES FOR REACTOR #3 (3 TOTAL) SHALL BE FURNISHED BY PHILADELPHIA MIXER SINCE THIS EQUIPMENT IS STANDARDIZED FOR REACTOR #3 (SEE SPECIFICATIONS). REFER TO ELECTRICAL PLANS FOR NEW ELECTRICAL CONNECTIONS.

27. THE REPLACEMENT OF THE RETURN SLUDGE PIPING WILL REQUIRE TREATMENT PLANT STAFF TO DIVERT THE RETURN SLUDGE FLOW INTO THE MAIN PUMPING INFLUENT. IN ORDER TO MINIMIZE THE DURATION OF THIS DIVERSION, THE CONTRACTOR SHALL HAVE ALL EQUIPMENT AND MATERIALS INCLUDING PIPE, VALVES, FITTINGS, ETC. ON-SITE AND READY TO INSTALL BEFORE THE DIVERSION. THE CONTRACTOR SHALL PROVIDE A MINIMUM 2 WEEKS ADVANCE NOTICE PRIOR TO THE DIVERSION.
28. THE CONTRACTOR SHALL REPLACE 3 - 30" BUTTERFLY VALVES AT THE LOCATIONS SHOWN. THE PROPOSED BUTTERFLY VALVES SHALL BE A DEZURIK BAW FLANGED VALVE OR APPROVED EQUAL (SEE SPECIFICATIONS). THE CONTRACTOR SHALL REINSTALL THE EXISTING BECK ELECTRIC ACTUATORS ON TWO OF THE NEW BUTTERFLY VALVES. THE THIRD BUTTERFLY VALVE SHALL HAVE A NEW BECK ELECTRIC ACTUATOR INSTALLED MATCHING THE EXISTING BECK ACTUATORS. THE BECK ELECTRIC ACTUATOR IS A STANDARDIZED ITEM FOR THIS FACILITY AND NO "OR EQUAL" WILL BE CONSIDERED.

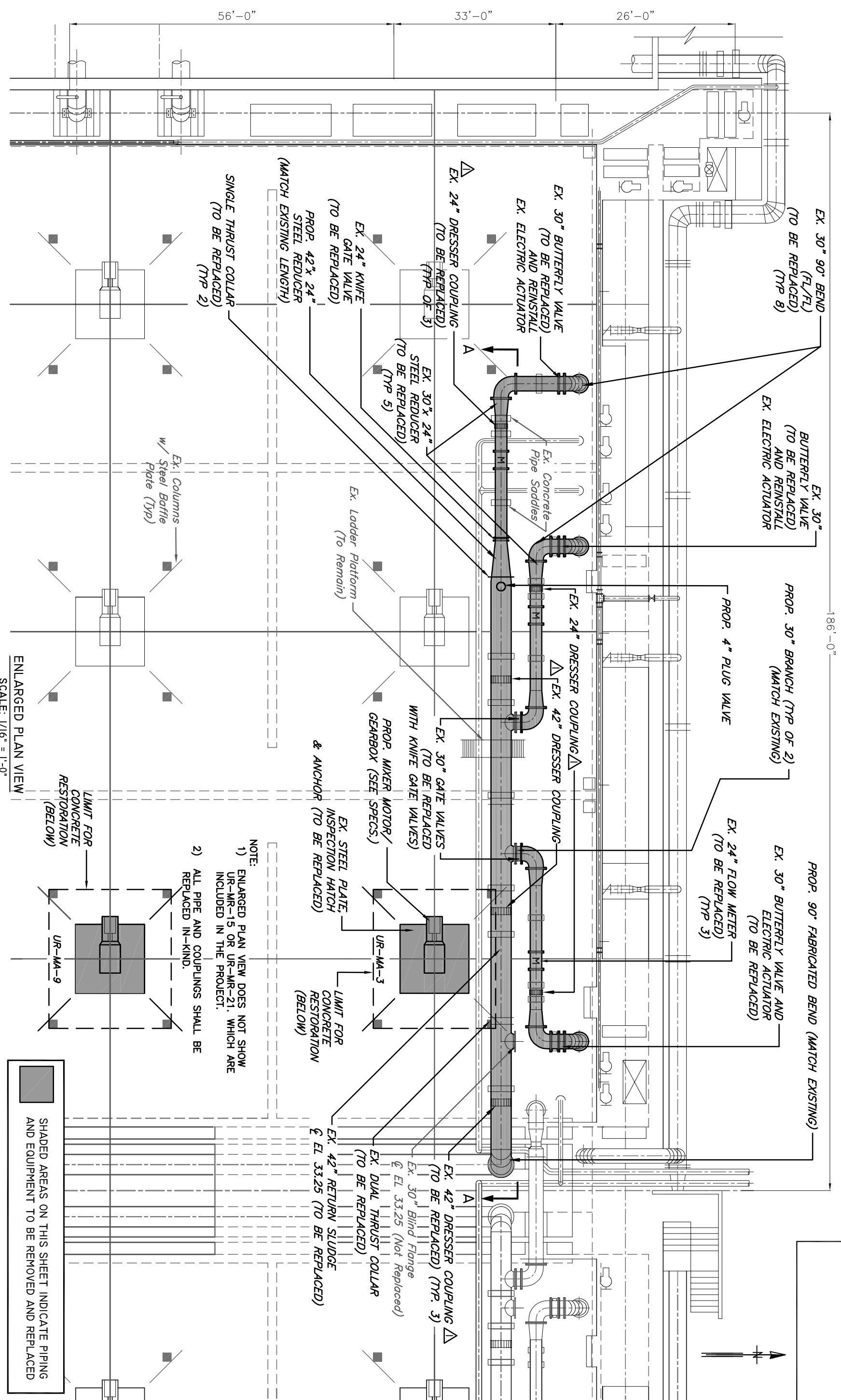
29. THE CONTRACTOR SHALL INSTALL 2-30" AND 1-24" KNIFE GATE AS SHOWN. KNIFE GATE VALVES SHOULD BE DEZURIK MODEL KGC, KGN OR APPROVED EQUAL.
30. THE CONTRACTOR SHALL CAREFULLY REMOVE THE EXISTING MIXER, UR-MA-15, AND STORE IT DURING THE STEEL SUPPORT PLATE REPLACEMENT AND THE DEBRIS REMOVAL/CONCRETE RESTORATION WORK INSIDE REACTOR. THE EXISTING MIXER SHALL BE STORED AND REINSTALLED IN STRICT ACCORDANCE WITH THE MANUFACTURER'S (PHILADELPHIA MIXER) RECOMMENDATIONS. DEPENDING ON THE DURATION OF THE REMOVAL, THE EXISTING MOTORS MAY NEED TO BE TURNED ON A PERIODIC SCHEDULE.

31. CONCRETE COLUMNS AND REACTOR CEILING SURFACES WITHIN THE CONCRETE RESTORATION LIMITS ON SHEET 5 SHALL BE RESTORED AND COATED IN ACCORDANCE WITH CONCRETE RESTORATION DETAILS ON SHEET 8 AND SPECIFICATIONS. PAYMENT FOR ALL CONCRETE RESTORATION AND COATING SHALL BE BASED ON THE APPLICABLE UNIT COST PER SQUARE FEET ITEMS AND NOT INCLUDED IN THE LUMP SUM COST OF THE PROJECT.

32. ABB ELECTROMAGNETIC FLOW METER IS STANDARDIZED AT THIS FACILITY AND NO "OR EQUAL" ITEMS WILL BE CONSIDERED.
33. ALL WORK SHALL BE PERFORMED IN ACCORDANCE WITH THE FLORIDA BUILDING CODE 5TH EDITION, AND CHAPTER 5 OF THE CITY OF TAMPA CODE.
34. PLUG VALVES SHALL BE DEZURIK, 100% FULL PORT ECCENTRIC PLUG VALVES (PEF) OR APPROVED EQUAL.

35. ALL SEGMENTS OF RETURN SLUDGE PIPE SHALL BE HYDROSTATIC TESTED AT THE FACTORY. THE TEST PRESSURE SHALL BE 75 PSI.
36. EXISTING WELDED STEEL SUPPORTS SHALL BE REPLACED IN KIND. CONCRETE SUPPORTS TO BE REUSED SHALL BE MODIFIED AS NECESSARY TO SUIT NEW PIPE INSTALLATION. SINGLE AND DUAL THRUST COLLARS SHALL BE REPLACED IN KIND.

JACINTO CARLOS FERRAS, P.E., #49454		DES: VT		CITY of TAMPA WASTEWATER DEPARTMENT		HFC AWWP HPO GEARBOX / MIXER UPGRADES AND PIPING REPLACEMENT GENERAL NOTES		1000417 SHEET 5	
DESIGN DIVISION HEAD		DRN: JHU							
WASTEWATER DEPARTMENT		CKD: JF							
No.		DATE		DATE: 5/2/16					
3									
2									
1		7/6/16				ADDENDUM 3 ADD NOTE			



ENLARGED PLAN VIEW
 SCALE: 1/16" = 1'-0"

- NOTE:
- 1) ENLARGED PLAN VIEW DOES NOT SHOW UR-MR-15 OR UR-MR-21. WHICH ARE INCLUDED IN THE PROJECT.
 - 2) ALL PIPE AND COUPLINGS SHALL BE REPLACED IN-KIND.

SHADED AREAS ON THIS SHEET INDICATE PIPING AND EQUIPMENT TO BE REMOVED AND REPLACED

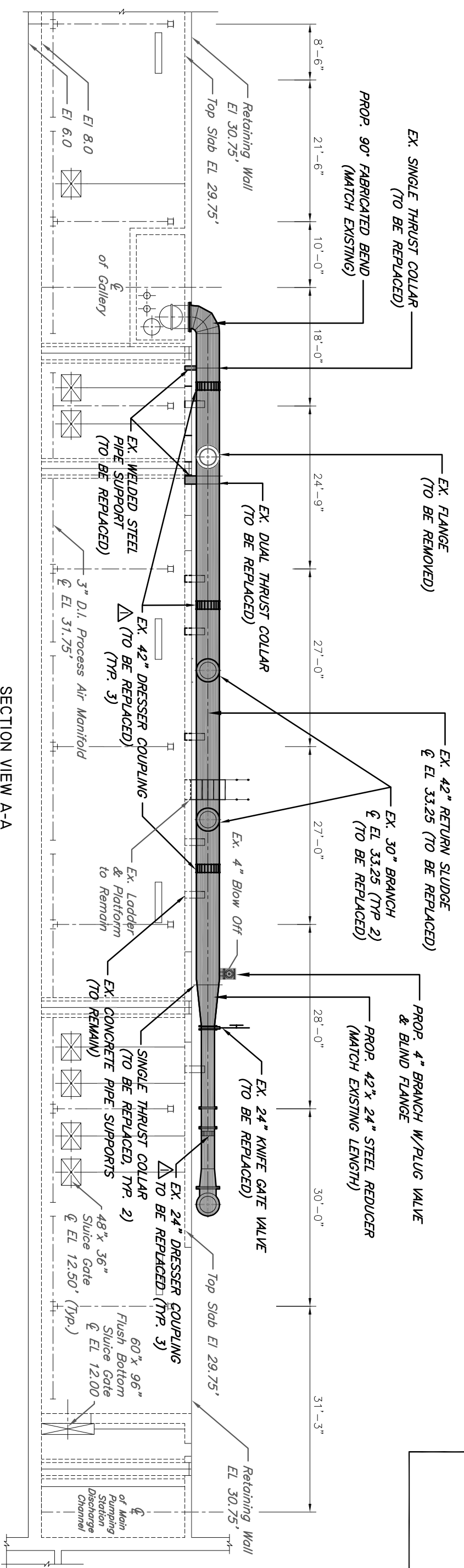
JACINTO CARLOS FERRAS, P.E., #49454 DESIGN DIVISION HEAD WASTEWATER DEPARTMENT	
No.	DATE
2	7/6/16
3	

REVISIONS	
No.	DATE
2	7/6/16
3	

DES: VT
 DRN: JHU
 CKD: JF
 DATE: 5/2/16

CITY of TAMPA
 WASTEWATER DEPARTMENT

HFC AWTP HPO GEARBOX / MIXER UPGRADES
 AND PIPING REPLACEMENT
 ENLARGED PLAN VIEW



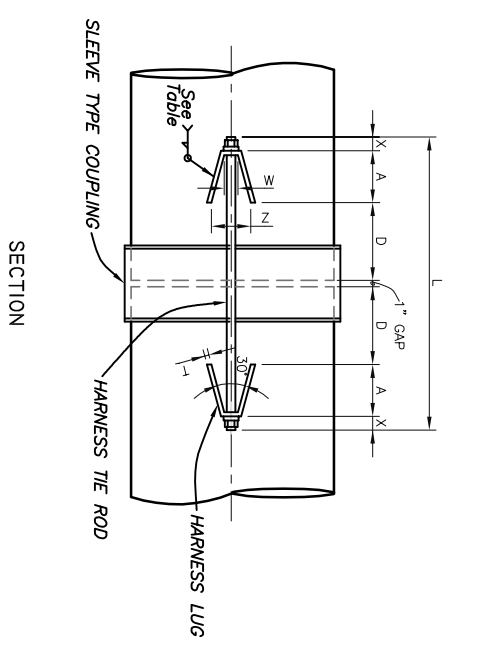
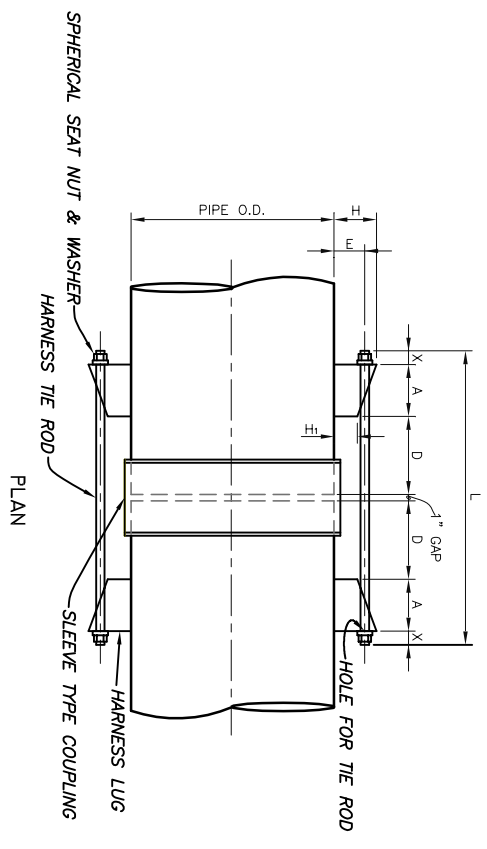
SECTION VIEW A-A
 SCALE: 1/16" = 1'-0"



EAST VIEW FROM PLATFORM



WEST VIEW FROM PLATFORM



DRESSER COUPLING DETAIL
 NOT TO SCALE

TYPE A HARNESSSED SLEEVE TYPE COUPLING JOINT FOR STEEL PIPE - SCHEDULE

NOM. PIPE SIZE	WALL THICKNESS	O.D. OF PIPE	MAX. PRESS. FOR HARNESS F.S.I.	MIDDLE RING		HARNESS TIE ROD		HARNESS LUG MINIMUM DIMENSION								COUPLING SERVICE				
				LENGTH	THICKNESS	No.	DIA.	L	A	W	Z	T	E	H	D		HOLE	WELD		
42	0.500	43.00	75	10	3/8	2	1 1/2	2	45 1/2	8 3/4	3	7 1/2	1/2	3 7/8	5 1/2	2 1/2	11 1/2	1 5/8	3/8	SLUDGE
24	0.375	24	75	7	3/8	2	3/4	1 1/4	28	3 3/4	1 11/16	3 1/2	3/8	3 1/8	4 1/8	2	8 1/2	7/8	1/4	SLUDGE

SHADED AREAS ON THIS SHEET INDICATE PIPING AND EQUIPMENT TO BE REMOVED AND REPLACED

JACINTO CARLOS FERRAS, P.E., #49454
 DESIGN DIVISION HEAD
 WASTEWATER DEPARTMENT

No.	DATE
3	
2	
1	7/6/16

REVISIONS

No.	DATE	REVISIONS
3		
2		
1		

ADDENDUM 3 ADD NOTE

DES: VT
 DRN: JHU
 CKD: JF
 DATE: 5/2/16

CITY of TAMPA
 WASTEWATER DEPARTMENT

HFC AWTP HPO GEARBOX / MIXER UPGRADES
 AND PIPING REPLACEMENT
 PROPOSED SECTION VIEW