

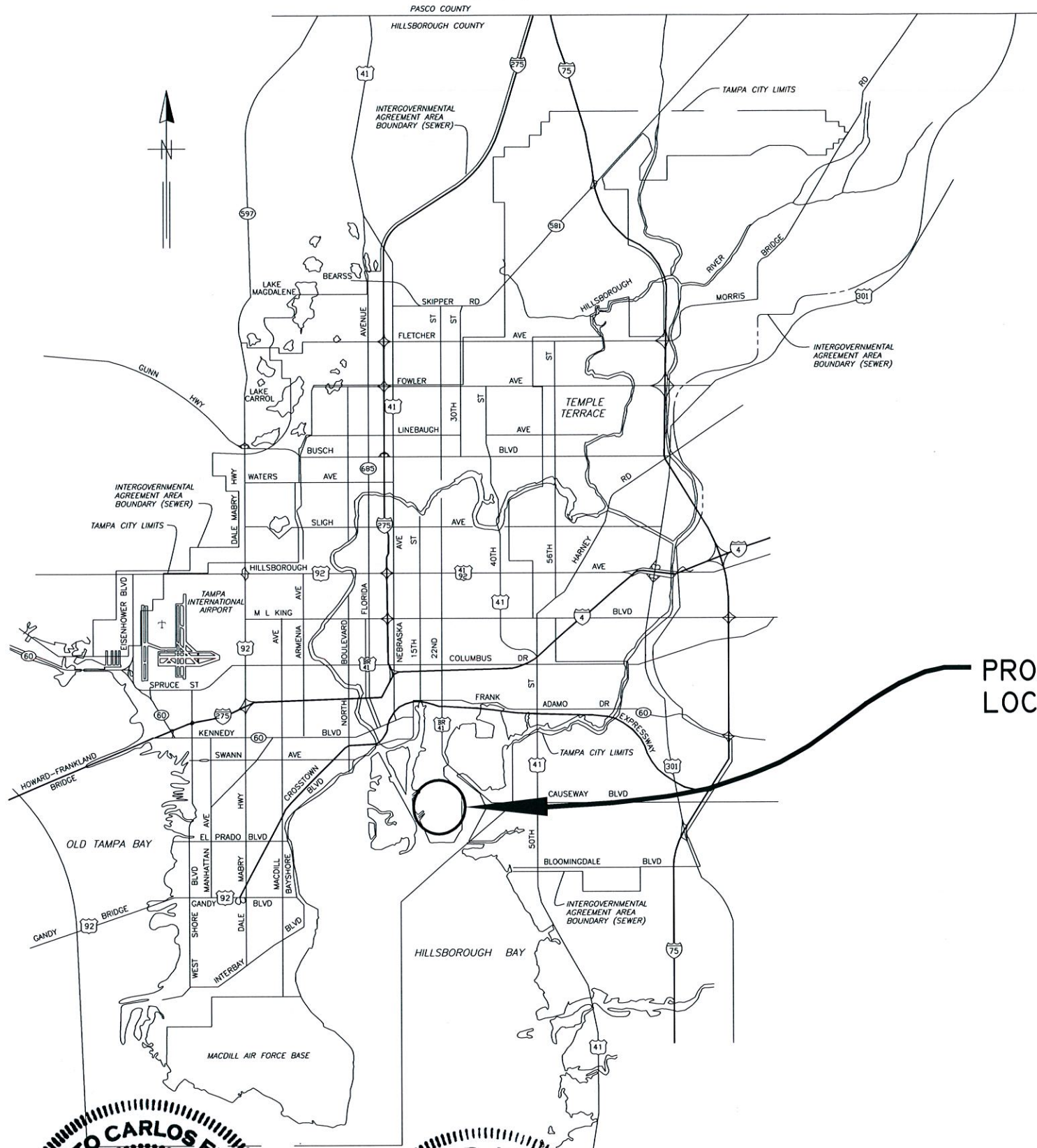
The Enclosed Document Is Provided For Your Convenience.

Please Email ALL Questions:
[MailTo:ContractAdministration@TampaGov.net](mailto:ContractAdministration@TampaGov.net)

Please Let Us Know If You Plan To Bid

City of Tampa
Contract Administration Department
306 E. Jackson St. #280A4N
Tampa, FL 33602
(813)274-8456

LOCATION MAP



CITY of TAMPA



PROJECT LOCATION

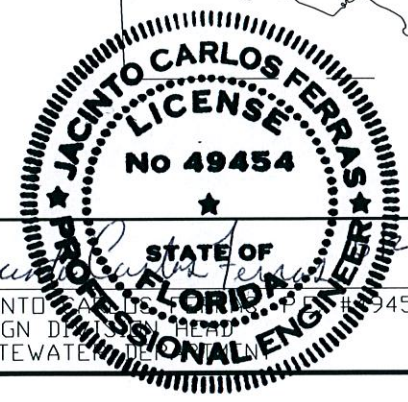
WASTEWATER DEPARTMENT

PLANS FOR

HOWARD F. CURREN
ADVANCED WASTEWATER
TREATMENT PLANT

MISCELLANEOUS SLUICE GATE
REPLACEMENTS

CONTACT 13-C-00004



No.	DATE	REVISIONS
3		
2		
1		

DES: RJ
DRN: 88
CKD: JF
DATE: 5/21/13

CITY of TAMPA
WASTEWATER DEPARTMENT

COVER SHEET

W.D. 5915
SHEET
1

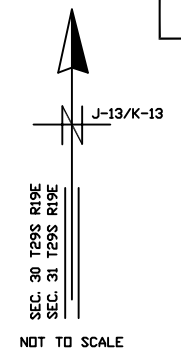
User: ssk4 Drawing Name: K:\WW_Projects\2013\2013_WD_5915_Sluice Gate Repairs Gate Repairs.dwg Layout: May 20, 2013 - 1:15pm

LOCATION MAP

INDEX

B077-010

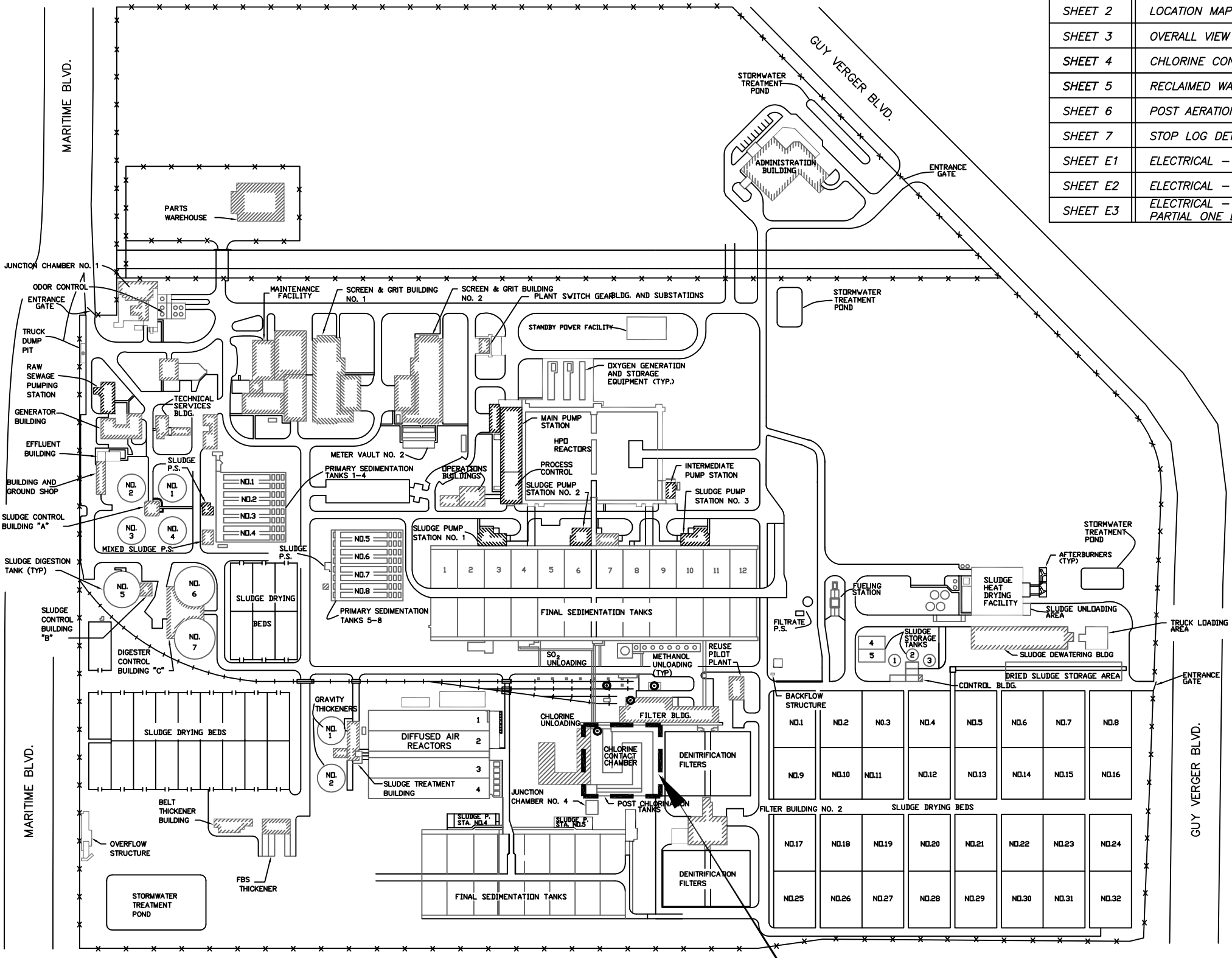
SHEET 1	COVER SHEET
SHEET 2	LOCATION MAP, INDEX & NOTES
SHEET 3	OVERALL VIEW - CONSTRUCTION SEQUENCE
SHEET 4	CHLORINE CONTACT CHAMBER SLUICE GATES
SHEET 5	RECLAIMED WATER SLUICE GATES
SHEET 6	POST AERATION - CHLORINATION TANKS & SLUICE GATES
SHEET 7	STOP LOG DETAILS
SHEET E1	ELECTRICAL - PLAN VIEW
SHEET E2	ELECTRICAL - CONDUIT LAYOUT
SHEET E3	ELECTRICAL - MCC-59 PARTIAL ONE LINE & FRONT ELEVATION



CITY OF TAMPA
HOWARD F. CURREN
ADVANCED WASTEWATER
TREATMENT PLANT
2700 MARITIME BLVD.
TAMPA, FL 33605
(813) 247-3451
FAX: (813) 248-5269

GENERAL NOTES

- CONTRACTOR SHALL COORDINATE ALL CONSTRUCTION ACTIVITIES WITH TREATMENT PLANT PERSONNEL AND PLANT OPERATIONS. DUE TO THE NATURE OF THE SHUTDOWN CONTRACTOR MAY NEED TO PERFORM WORK DURING OFF HOURS AND WITHIN A SHORT WINDOW.
- EXISTING DIMENSIONS ARE BASED ON AS-BUILT DRAWINGS. TRUE DIMENSIONS SHALL BE DETERMINED IN THE FIELD PRIOR TO LAYOUT AND SHOP DRAWING SUBMITTAL.
- SHOP DRAWINGS SHALL BE SUBMITTED FOR ALL PROPOSED ITEMS.
- HARD COPIES OF SUBMITTALS AND SHOP DRAWINGS SHALL BE ORIGINALS OR HIGH QUALITY COPIES (EASILY READABLE) AND ELECTRONIC COPIES SHALL BE IN HIGH RESOLUTION, BOOK MARKED PDF FORMAT.
- CONTRACTOR IS RESPONSIBLE FOR MEETING ALL FEDERAL, STATE AND LOCAL GOVERNMENT REGULATIONS IN REGARDS TO WORKING IN CONFINED SPACES.
- CONTRACTOR WILL BE REQUIRED TO FABRICATE AND INSTALL (2) 316 STAINLESS STEEL STOP LOGS. REFER TO STOP LOG DETAILS SHEET 7. AT THE COMPLETION OF THIS PROJECT THE STOP LOGS SHALL BECOME THE PROPERTY OF THE CITY OF TAMPA.
- OSHA STANDARD SAFETY EQUIPMENT SUCH AS, BUT NOT LIMITED TO, SAFETY HARNESES, GAS MONITORS, LOWER EXPLOSIVE LIMIT (LEL) DETECTORS, BREATHING APPARATUS, ETC. SHALL BE UTILIZED WHERE THE WORK DICTATES THEIR USE. (SEE SAFETY SPECIFIC PROVISION)
- REFER TO CONTRACT SPECIFICATIONS FOR EXISTING SLUICE GATE INFORMATION FROM THE OPERATION AND MAINTENANCE MANUAL.
- CONTRACTOR SHALL REMOVE AND REPLACE THE ASPHALT FILL IN FRONT OF ALL FLUSH BOTTOM SLUICE GATES IN ACCORDANCE WITH MANUFACTURER'S RECOMMENDATIONS. SEE SHEET 6 FOR TYPICAL LOCATION OF THE ASPHALT FILL.



PROJECT LOCATION

User: ssk4 Drawing Name: K:\WWL\Projects\2013\2013_WD_5915_Sluice Gate Repairs\Drawings\HFC Misc.Sluice Gate Repairs.dwg Layout- May 20, 2013 - 1:15pm

JACINTO CARLOS FERRAS, PE #49454
DESIGN DIVISION HEAD
WASTEWATER DEPARTMENT

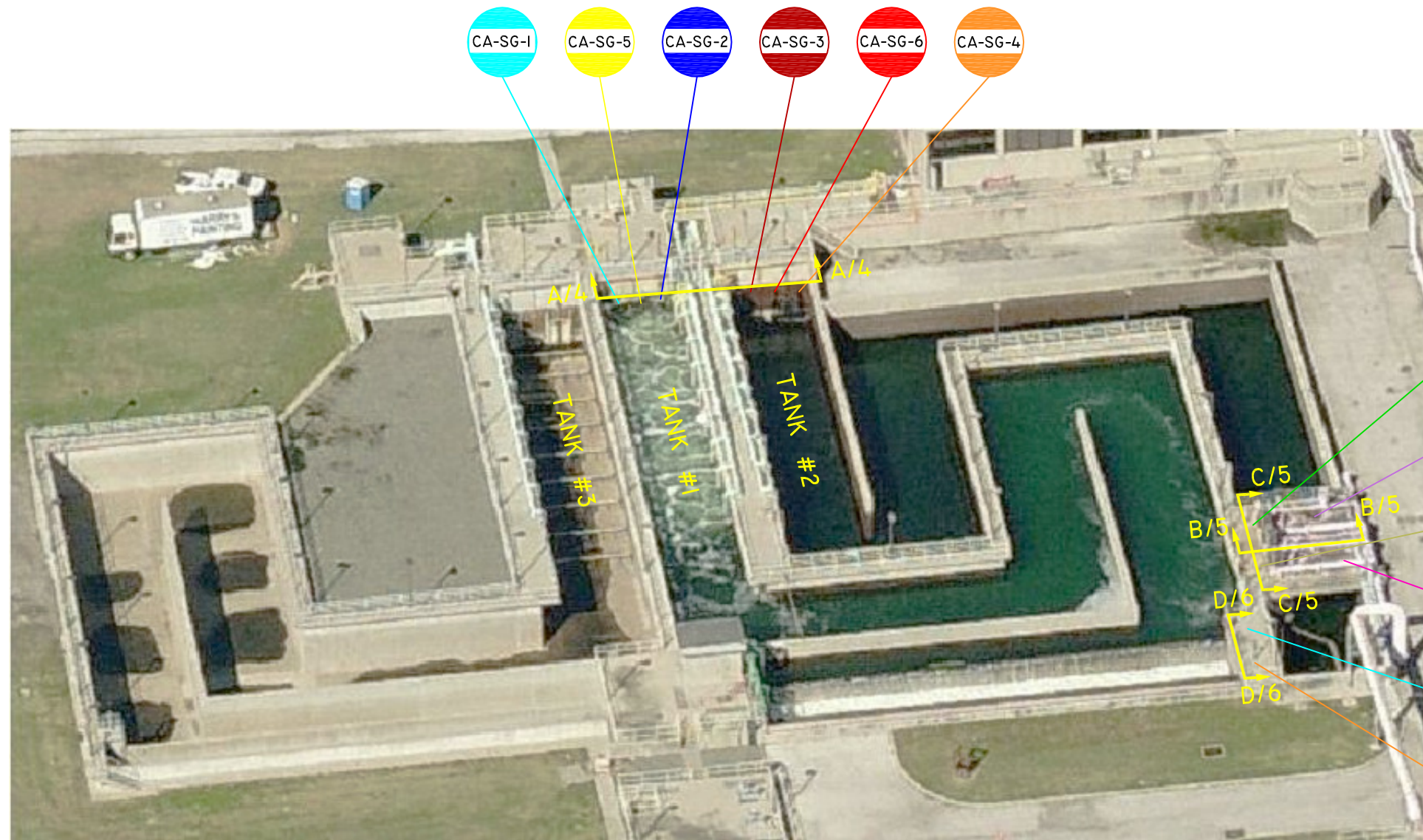
No.	DATE	REVISIONS
3		
2		
1		

DES: RJ
DRN: 06
CKD: JF
DATE: 5/21/13

CITY of TAMPA
WASTEWATER DEPARTMENT

HFCWTP
MISCELLANEOUS SLUICE GATE REPLACEMENTS
LOCATION MAP, INDEX & NOTES

W.D. 5915
SHEET
2



CHLORINE CONTACT CHAMBER AERIAL VIEW

N.T.S.

POSSIBLE CONSTRUCTION SEQUENCE

WHILE TANK #1 IS OUT OF SERVICE

1. INSTALL 2 STOP LOGS AND REPLACE SLUICE GATES CA-SG-1, 2 AND 5
2. DIVERS TO INSTALL SAFETY GRATE OVER 24" GENERAL PURPOSE EFFLUENT WATER (GPEW) PIPE. REQUIRES SHUTDOWN OF GPEW PUMPS. SHUTDOWN CAN OCCUR ONLY DURING THE EARLY MORNING (4 AM- 5 AM)
3. DIVERS TO INSTALL PLATE FOR CA-SG-15 WHILE PUMP #1 AND #2 ARE LOCKED OUT.
4. DIVERS TO INSTALL PLATE FOR CA-SG-16 WHILE PUMP #3 AND #4 ARE LOCKED OUT.
5. DIVERS TO INSTALL PLATE FOR CA-SG-7 FROM EFFLUENT CHANNEL.
6. REPLACE SLUICE GATES CA-SG-15, 16, AND 7
7. DIVERS TO REMOVE PLATES INSTALLED IN STEPS 3 - 5
8. REMOVE STOP LOGS (COULD BE DONE ANY TIME AFTER STEP 1)
9. CITY TO PLACE TANK #1 IN SERVICE AND TAKE TANK #2 OUT OF SERVICE

WHILE TANK #2 IS OUT OF SERVICE

1. INSTALL 2 STOP LOGS AND REPLACE SLUICE GATES CA-SG-3, 4 AND 6
2. DIVERS TO INSTALL PLATE FOR CA-SG-13 WHILE PUMP #1 AND #2 ARE LOCKED OUT.
3. DIVERS TO INSTALL PLATE FOR CA-SG-14 WHILE PUMP #3 AND #4 ARE LOCKED OUT.
4. DIVERS TO INSTALL PLATE FOR CA-SG-8 FROM EFFLUENT CHANNEL.
5. REPLACE SLUICE GATES CA-SG-13, 14, AND 8
6. DIVERS TO REMOVE PLATES INSTALLED IN STEPS 2-4
7. REMOVE STOP LOGS (COULD BE DONE ANY TIME AFTER STEP 1)
8. CITY TO PLACE TANK #2 IF NECESSARY
10. DIVERS TO REMOVE SAFETY GRATE OVER 24" GPEW PIPE. REQUIRES SHUTDOWN OF GPEW PUMPS. SHUTDOWN CAN OCCUR ONLY DURING THE EARLY MORNING (4 AM- 5 AM)

CONSTRUCTION SEQUENCE NOTES:

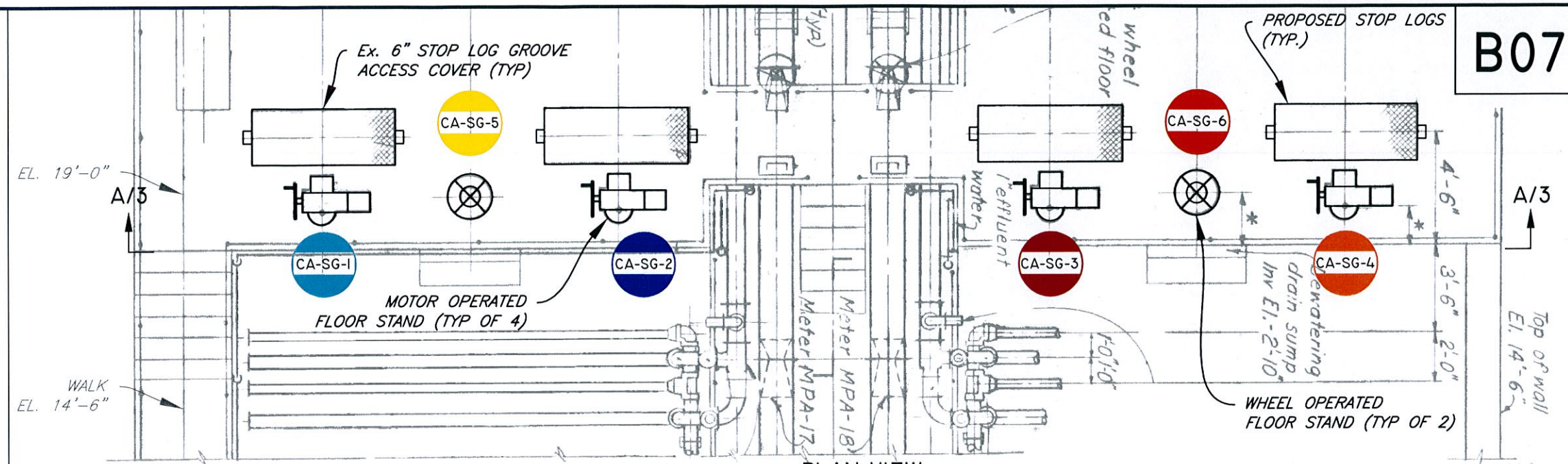
1. CONTRACTOR SHALL SUBMIT FINAL CONSTRUCTION SEQUENCE FOR APPROVAL.
2. WORK SHALL OCCUR DURING NORMAL WORK HOURS UNLESS NOTED OTHERWISE.
3. CONTRACTOR SHALL TAKE NOTE OF THE MULTIPLE TASKS REQUIRING CERTIFIED DIVERS AND SCHEDULE ACCORDINGLY.

User: ssk4 Drawing Name: K:\WW_Projects\2013\2013_WD_5915_Sluice Gate Repairs\Drawings\HFC Misc.Sluice Gate Repairs.dwg Layout- May 20, 2013 - 1:15pm

JACINTO CARLOS FERRAS, PE #49454 DESIGN DIVISION HEAD WASTEWATER DEPARTMENT	No.	DATE	REVISIONS	DES: RJ	CITY of TAMPA WASTEWATER DEPARTMENT	HFCAWTP MISCELLANEOUS SLUICE GATE REPLACEMENTS OVERALL VIEW - CONSTRUCTION SEQUENCE	W.D. 5915
	3			DRN: 88			SHEET
	2			CKD: JF			3
	1			DATE: 5/21/13			

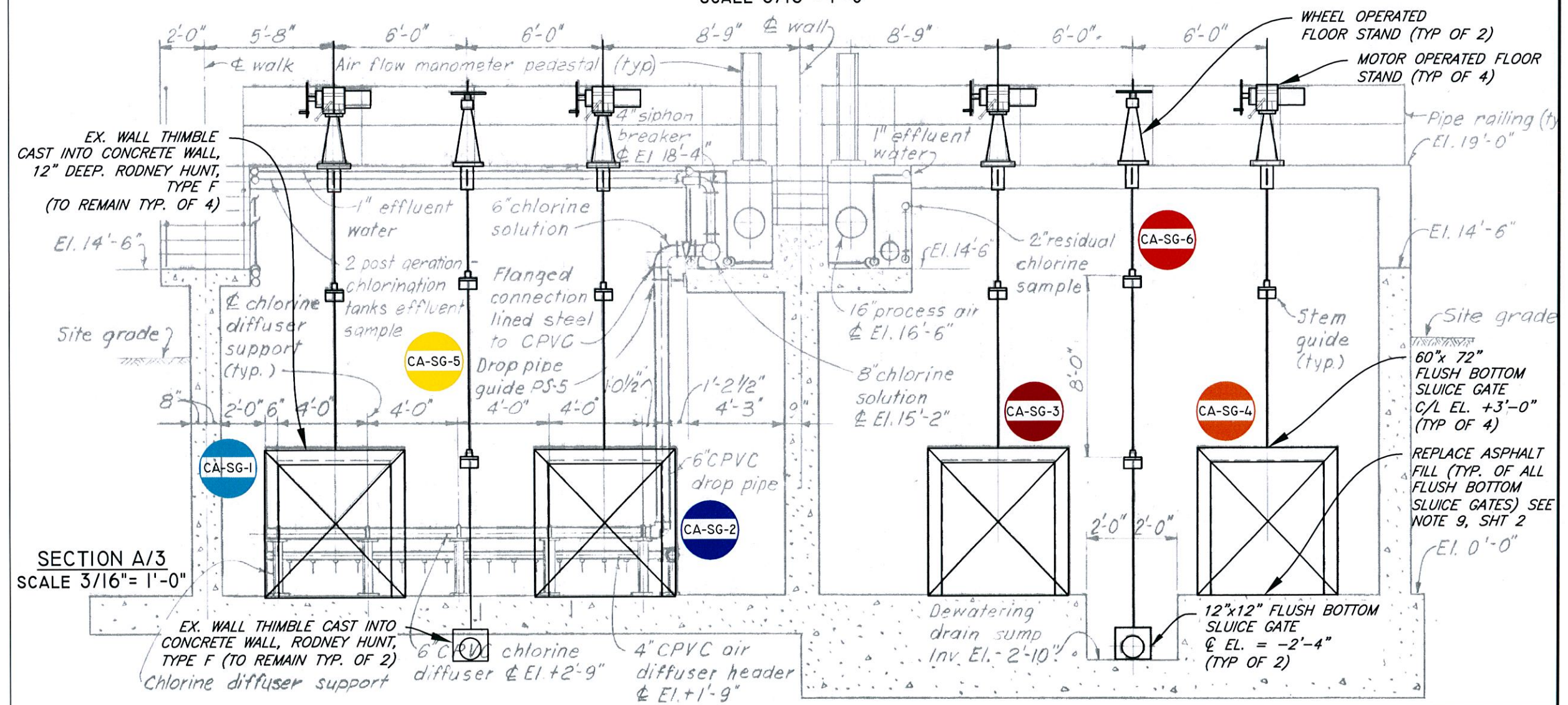
**PROPOSED SLUICE GATES
CA-SG-1 THRU 4**

60" x 72" FLUSH BOTTOM SLUICE GATE, FONTAINE SERIES 20; FRAME, YOKE, STEM GUIDES, SLIDE AND SLIDE EXTENSIONS SHALL BE CONSTRUCTED OF 316 STAINLESS STEEL; SUITABLE FOR A SEATING OR UNSEATING HEAD OF 10.73 FEET; SIDE SEALS AND LINERS SHALL BE CONSTRUCTED OF UHMWPE; THREADED STEM AND ALL FASTENERS SHALL BE 316 STAINLESS STEEL; THRUST NUTS AND COUPLINGS SHALL BE BRONZE; OPERATOR SHALL BE PROPERLY SIZED, 460 VOLT, 3-PHASE, 60 CYCLE, WEATHERPROOF, YOKE MOUNTED ELECTRIC ACTUATOR WITH MANUAL OVERRIDE HANDWHEEL AND CLEAR RISING STEM COVER WITH VENT. EX. WALL THIMBLES TO REMAIN.



**PROPOSED SLUICE GATES
CA-SG-5 AND CA-SG-6**

12"X12" FLUSH BOTTOM SLUICE GATE, FONTAINE SERIES 20, FRAME, YOKE, STEM GUIDES, SLIDE AND SLIDE EXTENSIONS SHALL BE CONSTRUCTED OF 316 STAINLESS STEEL, SUITABLE FOR SEATING OR UNSEATING HEAD OF 16.06 FT. SIDE SEALS AND LINERS SHALL BE CONSTRUCTED OF UHMWPE; THREADED STEM AND ALL FASTENERS SHALL BE 316 STAINLESS; THRUST NUTS AND COUPLINGS SHALL BE BRONZE; OPERATOR SHALL BE PROPERLY SIZED AND MATCH EXISTING, MANUAL HAND WHEEL OPERATED FLOOR STAND AND CLEAR RISING STEM COVER WITH VENT. EXISTING WALL THIMBLES TO REMAIN.



User: ssk4 Drawing Name: K:\WW_Projects\2013\2013_WO_5915_Sluice Gate Repairs\Drawings\HFC Misc.Sluice Gate Repairs.dwg Layout - May 20, 2013 - 1:15pm

No.	DATE	REVISIONS
3		
2		
1		

DES: RJ
DRN: 88
CKD: JF
DATE: 5/21/13

CITY of TAMPA
WASTEWATER DEPARTMENT

HFCAWTP
MISCELLANEOUS SLUICE GATE REPLACEMENTS
CHLORINE CONTACT CHAMBER SLUICE GATES

W.D. 5915
SHEET
4

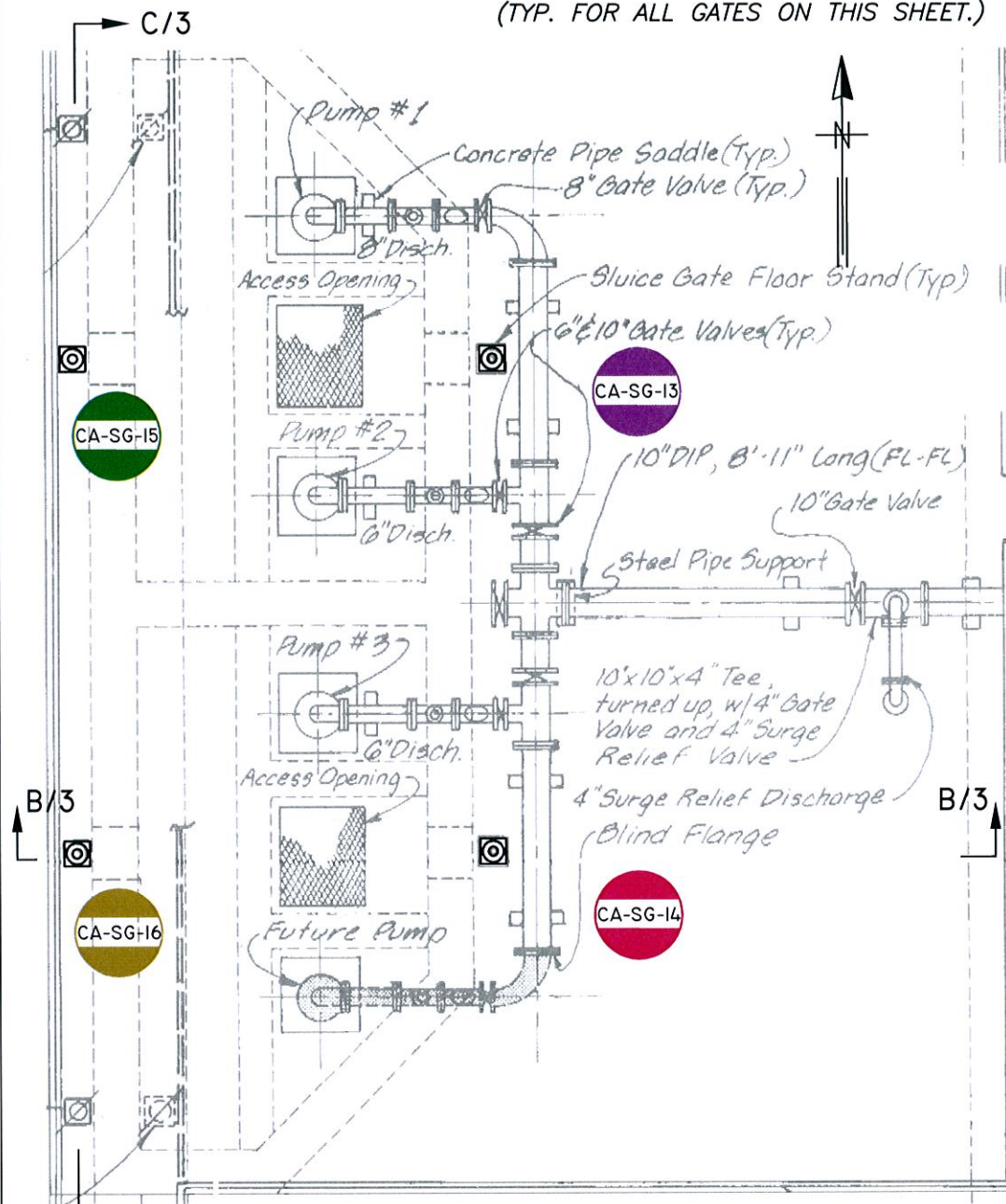
REPLACE EX. SLUICE GATE FLOORSTAND WITH PROPOSED MOTOR OPERATED FLOOR STAND (TYP. OF 4)

PROP. MIN. 3/8" STEEL PLATE WITH 1/4" x 4" WIDE NEOPRENE RUBBER PAD TO BE INSTALLED ALONG PERIMETER AND TEMPORARILY ANCHORED TO THE WALL BY CERTIFIED UNDERWATER DIVERS (TYP. FOR ALL GATES ON THIS SHEET.)

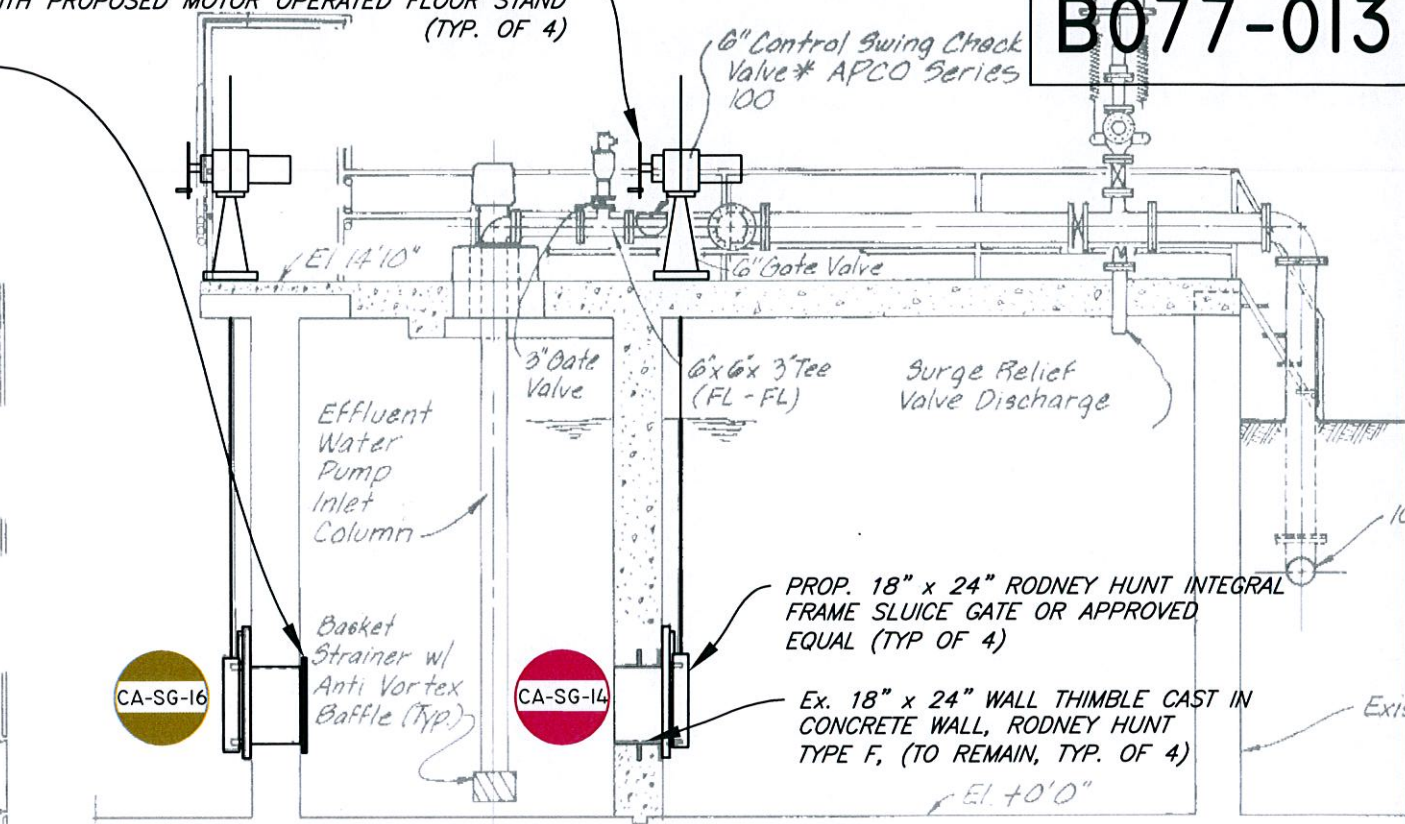
PROPOSED SLUICE GATES RECLAIMED WATER PUMPS CA-SG-13 THRU CA-SG-16

18" x 24" SLUICE GATE, FONTAINE SERIES 20 MODEL 204; FRAME, YOKE, STEM GUIDES, SLIDE AND SLIDE EXTENSIONS SHALL BE CONSTRUCTED OF 316L STAINLESS STEEL; SUITABLE FOR A SEATING OR UNSEATING HEAD OF 13.73 FEET; SIDE SEALS AND LINERS SHALL BE CONSTRUCTED OF UHMWPE; THREADED STEM AND ALL FASTENERS SHALL BE 316 STAINLESS STEEL; THRUST NUTS AND COUPLINGS SHALL BE BRONZE; OPERATOR SHALL BE PROPERLY SIZED, 460 VOLT, 3-PHASE, 60 CYCLE WEATHERPROOF, YOKE MOUNTED ELECTRIC ACTUATOR WITH MANUAL OVERRIDE HANDWHEEL AND CLEAR RISING STEM COVER WITH VENT. EX. WALL THIMBLES TO REMAIN.

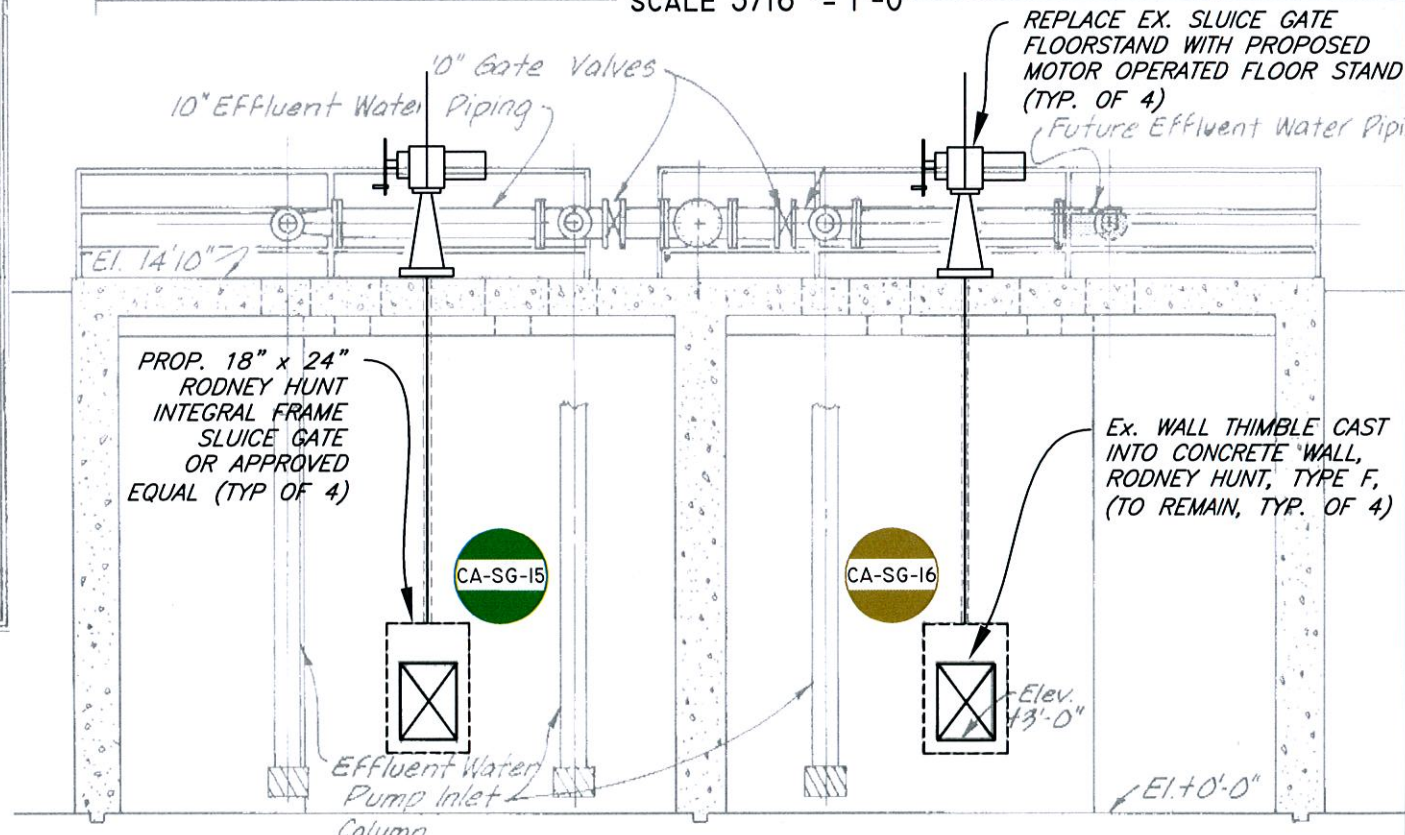
NOTE:
RECLAIMED WATER PUMPS #1 AND #2 WILL BE LOCKED OUT BY CITY STAFF TO REPLACE SLUICE GATES CA-SG-13 AND CA-SG-15. SIMILARLY, PUMPS #3 AND #4 WILL BE LOCKED OUT TO REPLACE SLUICE GATES CA-SG-14 AND CA-SG-16.



PLAN VIEW
SCALE 3/16" = 1'-0"



SECTION B/3
SCALE 3/16" = 1'-0"



SECTION C/3
SCALE 3/16" = 1'-0"

User: ssk4 Drawing Name: K:\WW_Projects\2013\2013_WO_5915_Sluice Gate Repairs\Drawings\HFC Misc.Sluice Gate Repairs.dwg Layout - May 20, 2013 - 1:15pm

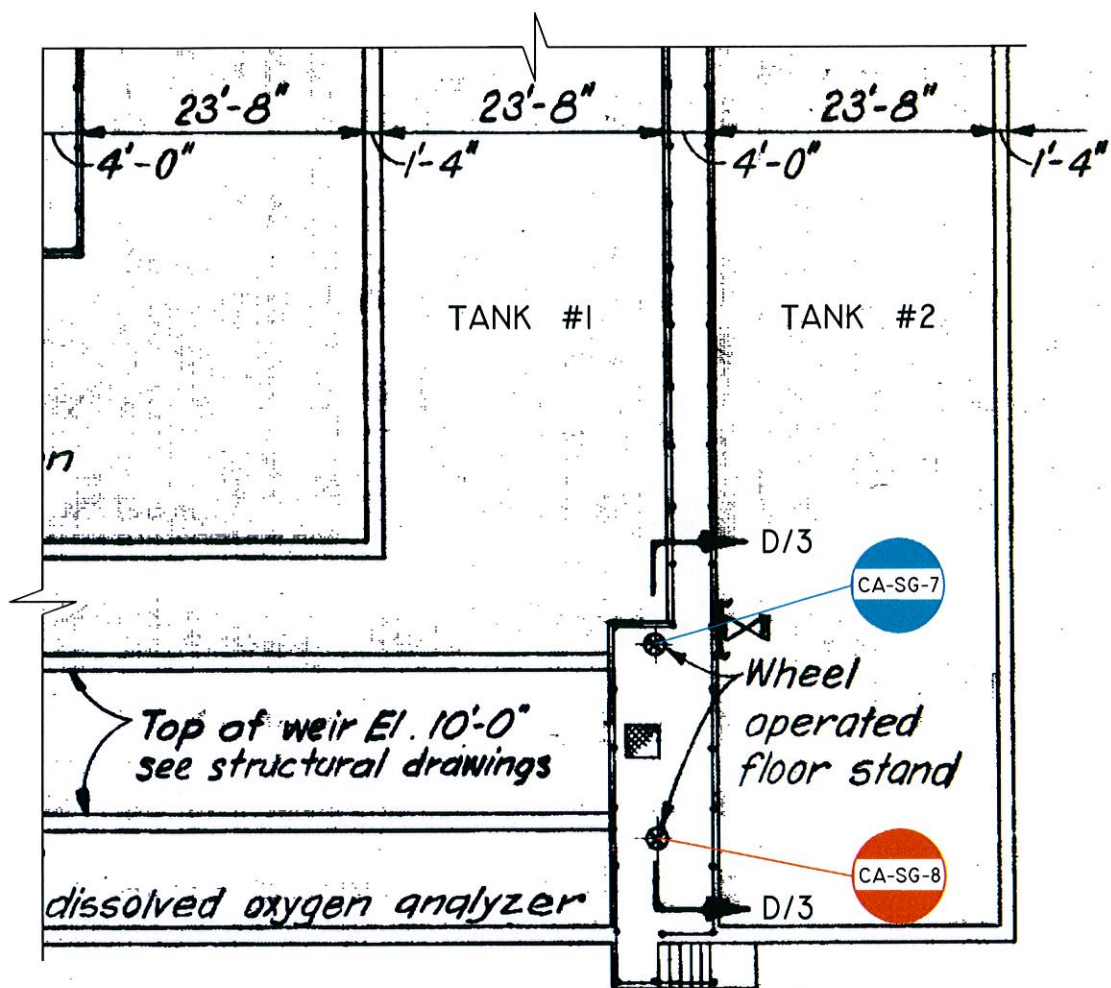
No.	DATE	REVISIONS
3		
2		
1		

DES: RJ
DRN: 86
CKD: JF
DATE: 5/21/13

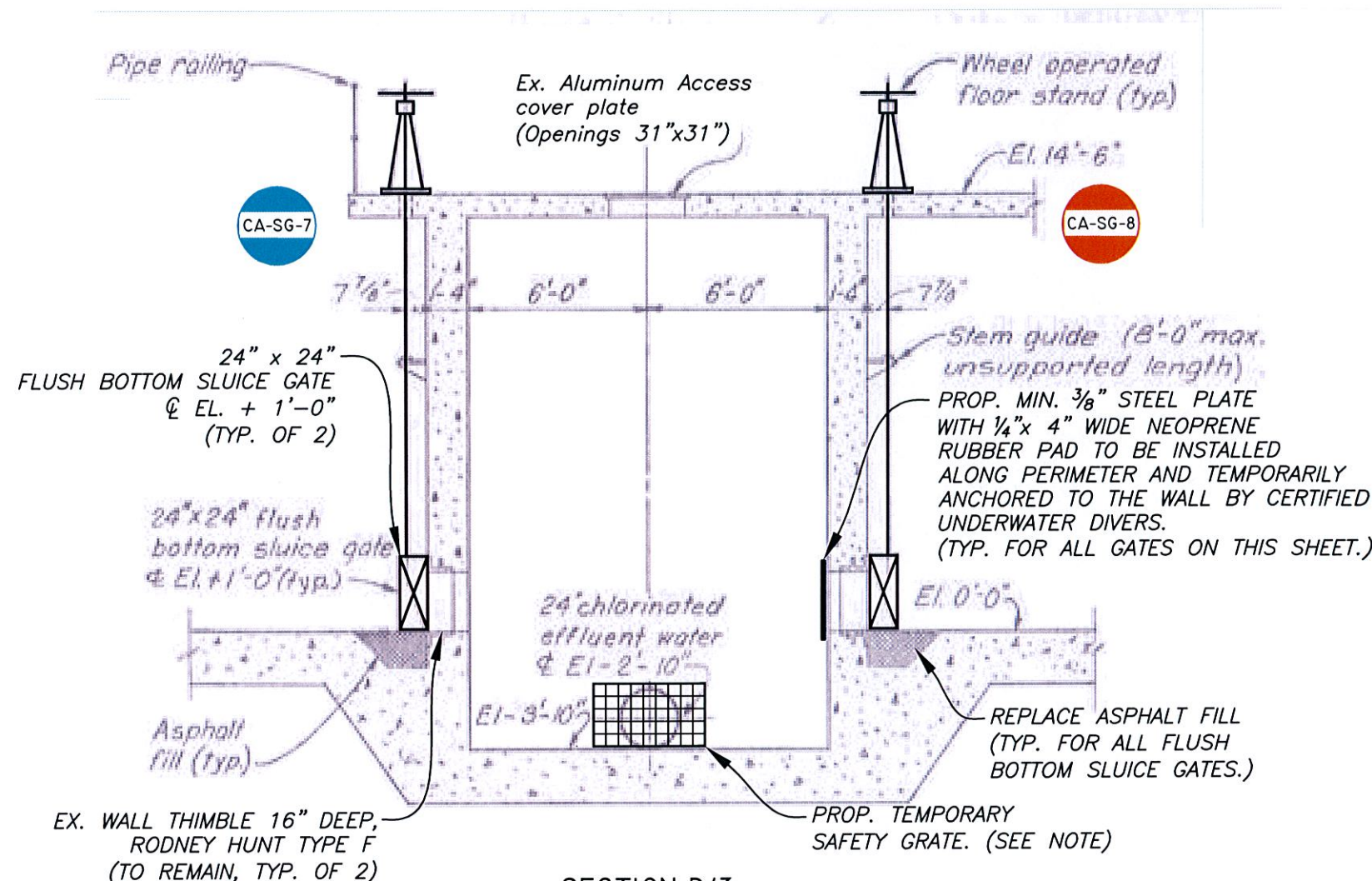
CITY of TAMPA
WASTEWATER DEPARTMENT

HFCAWTP
MISCELLANEOUS SLUICE GATE REPLACEMENTS
RECLAIMED WATER SLUICE GATES

W.O. 5915
SHEET
5



PLAN VIEW
SCALE 1/16" = 1'-0"



SECTION D/3
SCALE 3/16" = 1'-0"

PROPOSED CA-SG-7 AND CA-SG-8

24"X24" FLUSH BOTTOM SLUICE GATES, FONTAINE SERIES 20, FRAME, YOKE, STEM GUIDES, SLIDE AND SLIDE EXTENSIONS SHALL BE CONSTRUCTED OF 316 STAINLESS STEEL, SUITABLE FOR SEATING OR UNSEATING HEAD OF 12.73 FT. SIDE SEALS AND LINERS SHALL BE CONSTRUCTED OF UHMWPE; THREADED STEM AND ALL FASTENERS SHALL BE 316 STAINLESS; THRUST NUTS AND COUPLINGS SHALL BE BRONZE; OPERATOR SHALL BE PROPERLY SIZED AND MATCH EXISTING, MANUAL HAND WHEEL OPERATED FLOOR STAND AND CLEAR RISING STEM COVER WITH VENT. EXISTING WALL THIMBLES TO REMAIN.

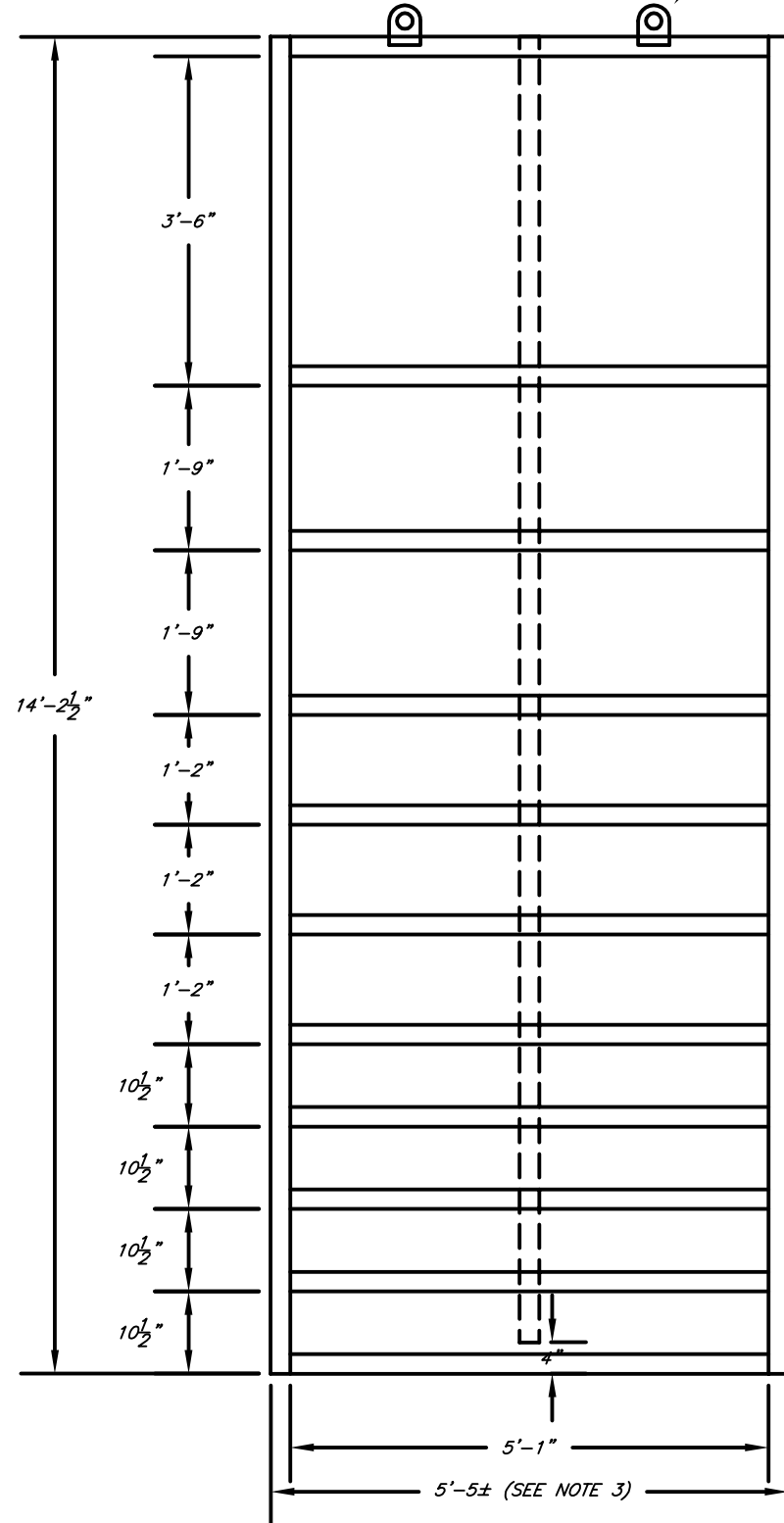
NOTE:

CONTRACTOR SHALL SUBMIT SAFETY GRATE CONSTRUCTION AND INSTALLATION DETAILS FOR REVIEW.

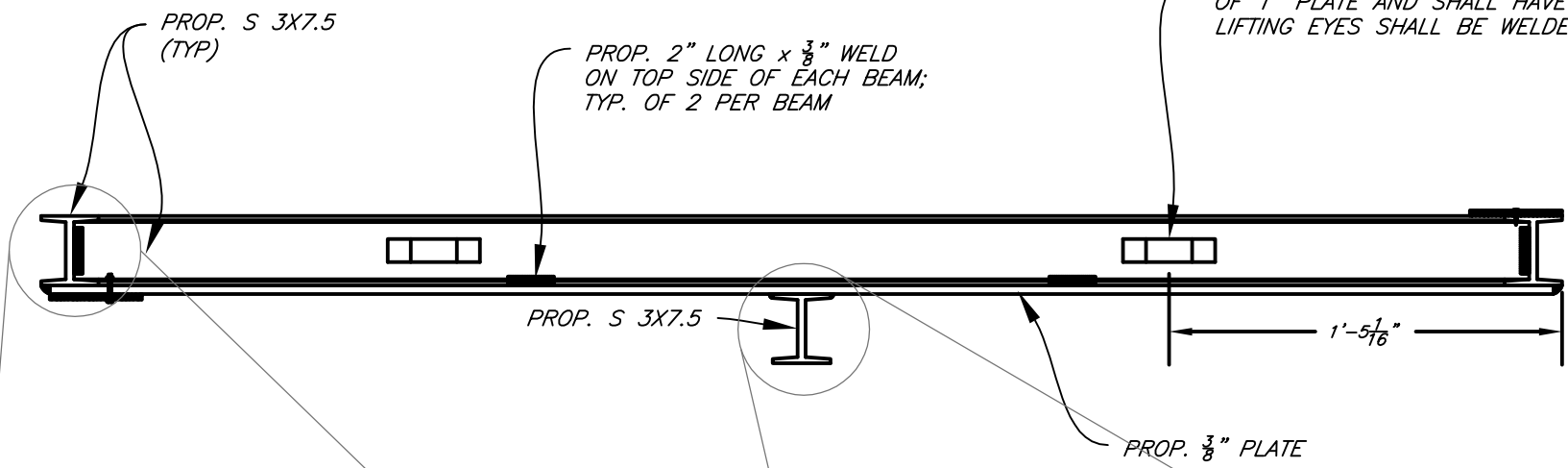
User: ssk4 Drawing Name: K:\WW_Projects\2013\2013_WO_5915_Sluice Gate Repairs.dwg Layout - May 20, 2013 - 1:15pm

JACINTO CARLOS FERRAS, PE #49454 DESIGN DIVISION HEAD WASTEWATER DEPARTMENT	No.	DATE	REVISIONS	DES: RJ	CITY of TAMPA WASTEWATER DEPARTMENT	HFCAWTP MISCELLANEOUS SLUICE GATE REPLACEMENTS POST AERATION - CHLORINATION TANKS & SLUICE GATES	W.D. 5915
	3			DRN: 88			SHEET
	2			CKD: JF			6
	1			DATE: 5/21/13			

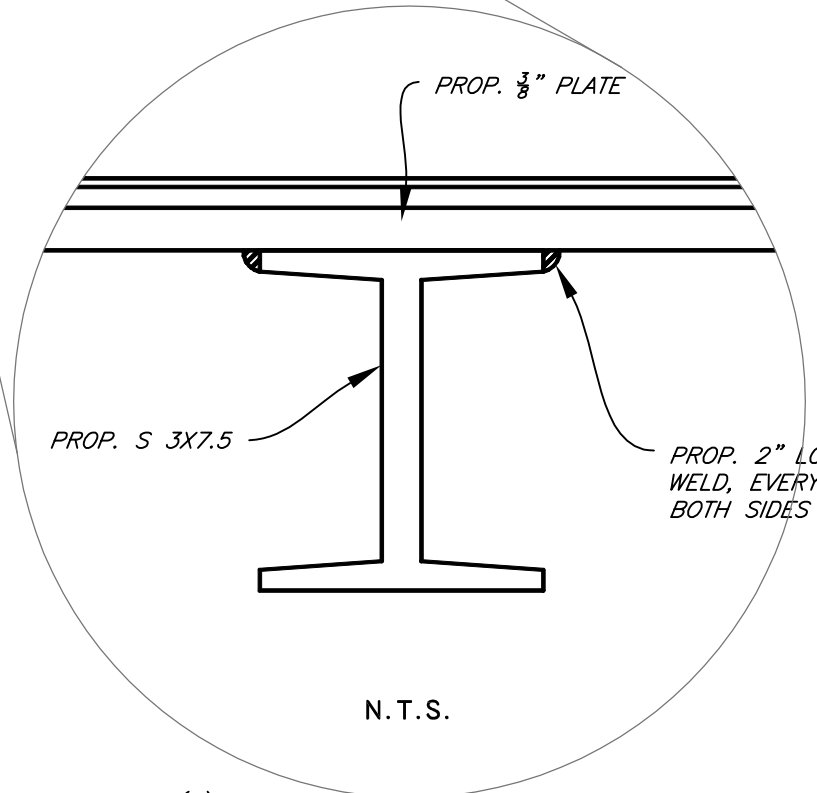
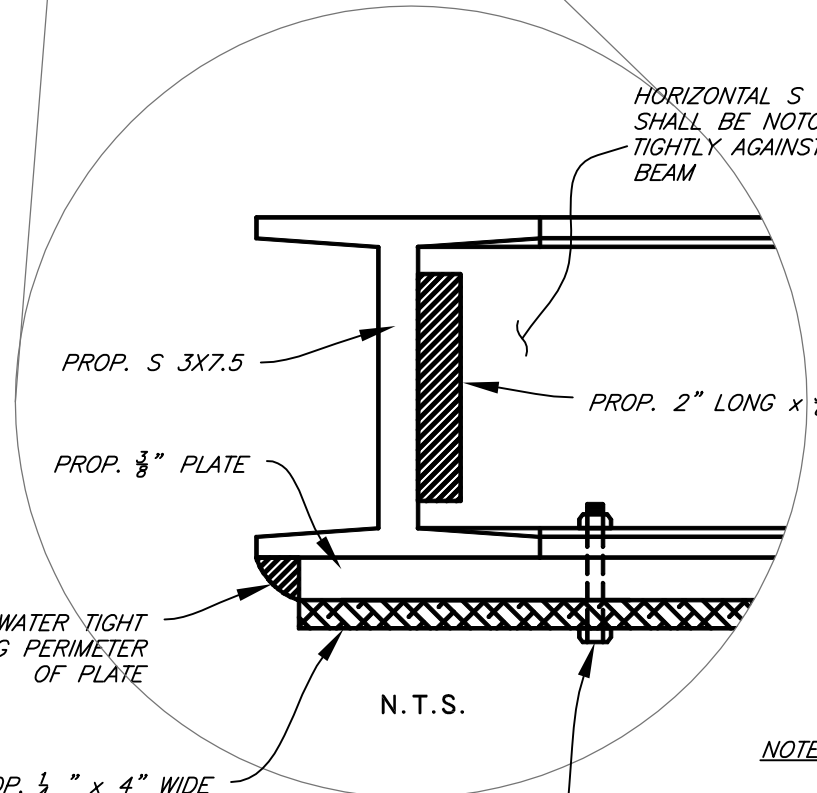
PROP. LIFTING EYES SHALL BE CONSTRUCTED OF 1" PLATE AND SHALL HAVE 2"Ø HOLE; LIFTING EYES SHALL BE WELDED ALL AROUND



FRONT VIEW
SCALE 1/2" = 1'-0"



TOP VIEW
SCALE 1-1/2" = 1'-0"



- NOTE:
1. CONTRACTOR SHALL CONSTRUCT (2) STOP LOGS
 2. STOP LOGS SHALL BE CONSTRUCTED WITH 304 SS STRUCTURAL MEMBERS AND PLATES.
 3. CONTRACTOR SHALL VERIFY DIMENSIONS OF ALL OPENINGS AND STOP LOG GROVES PRIOR TO SUBMITTAL OF FABRICATION DRAWINGS. FABRICATION DRAWING SHALL REFLECT THESE DIMENSIONS AND ANY STOP LOG MODIFICATIONS.

User: ssk4 Drawing Name: K:\NW_Projects\2013\2013_WD_5915_Sluice Gate Repairs\Drawings\HFC Misc.Sluice Gate Repairs.dwg Layout- May 20, 2013 - 1:15pm

JACINTO CARLOS FERRAS, PE #49454
DESIGN DIVISION HEAD
WASTEWATER DEPARTMENT

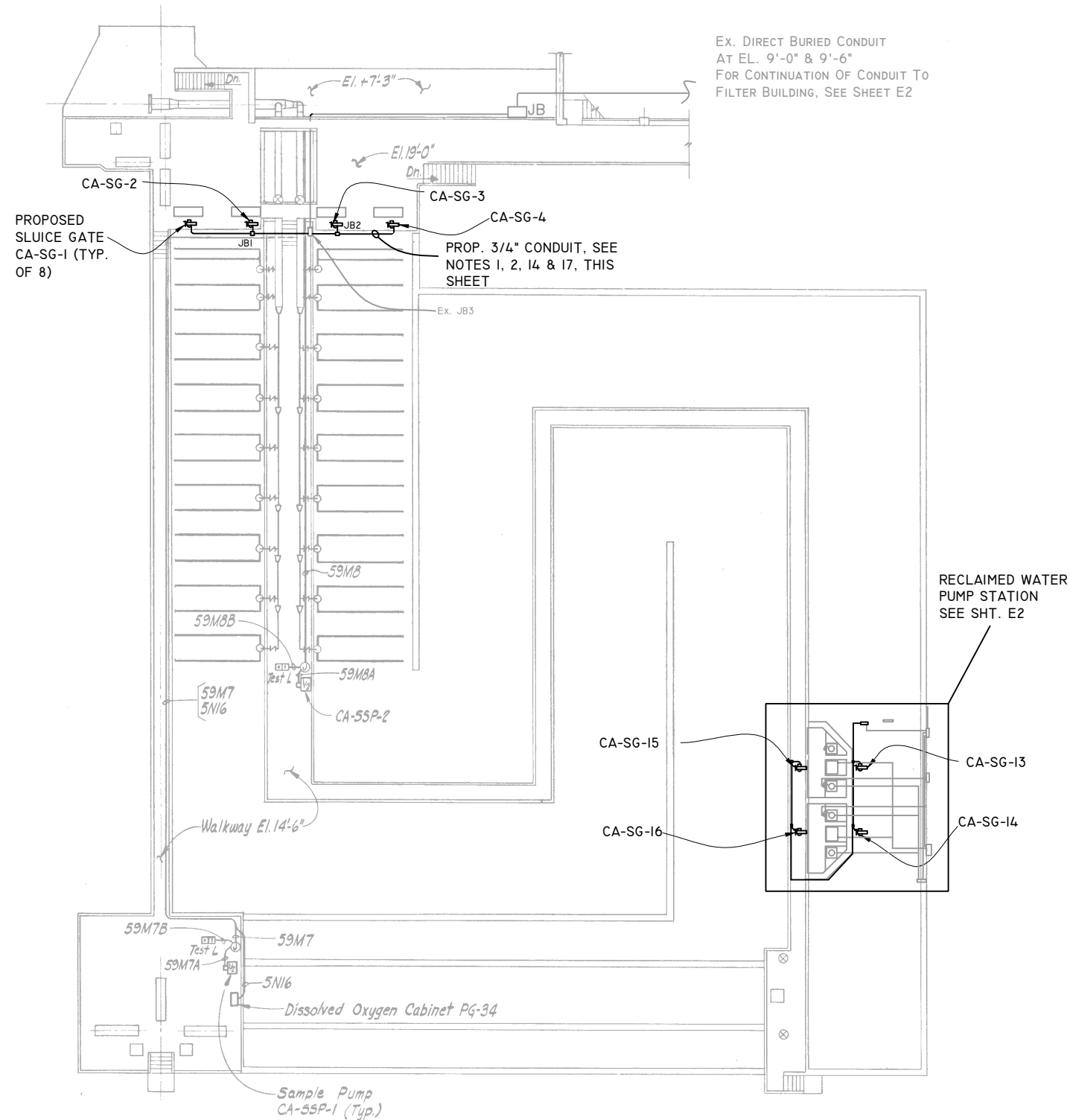
No.	DATE	REVISIONS
3		
2		
1		

DES: RJ
DRN: 88
CKD: JF
DATE: 5/21/13

CITY of TAMPA
WASTEWATER DEPARTMENT

HFCAWTP
MISCELLANEOUS SLUICE GATE REPLACEMENTS
STOP LOG DETAILS

W.D. 5915
SHEET
7

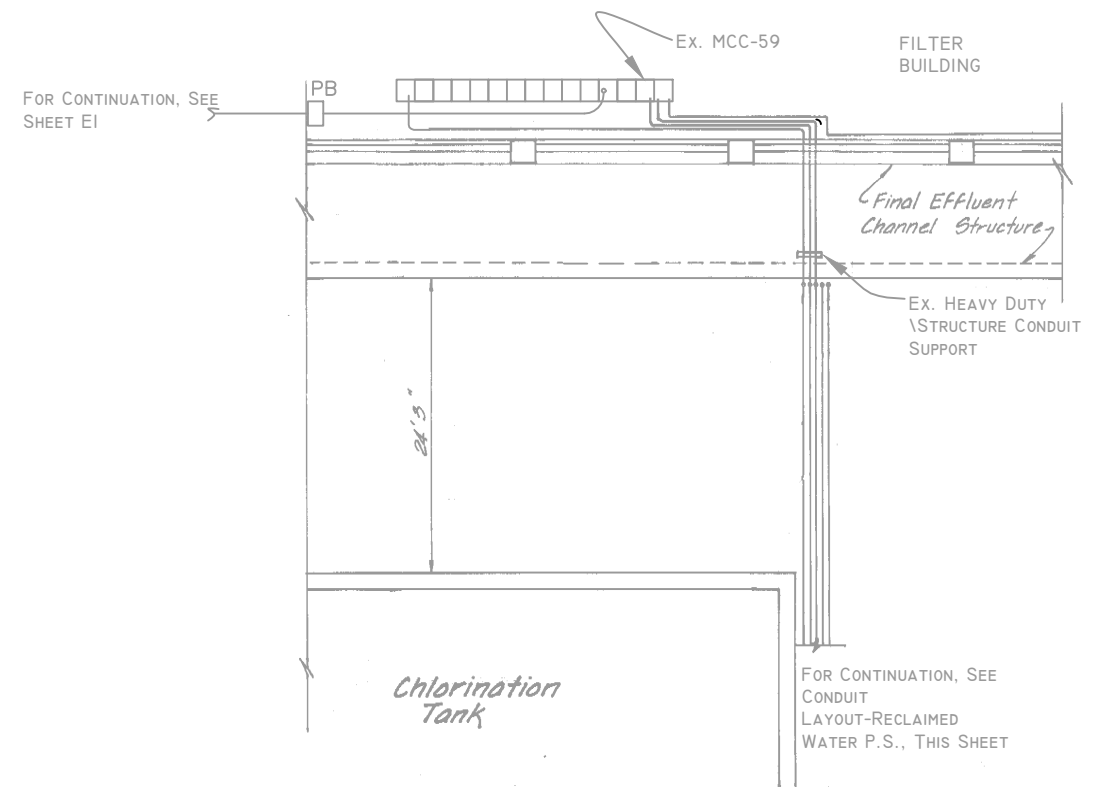


PROPOSED SLUICE GATES
PLAN VIEW
 (SCALE: 1/32"=1'-0")

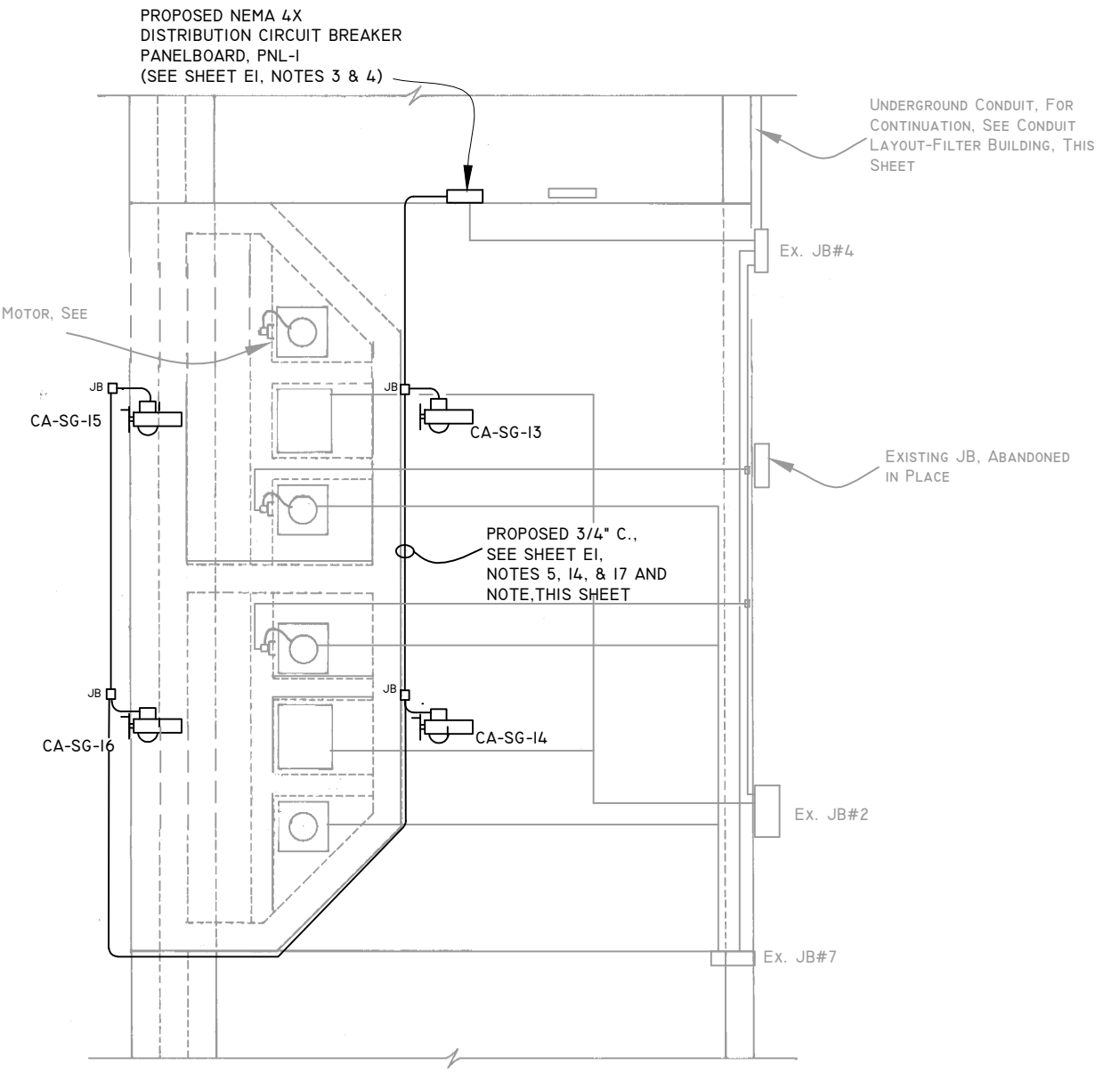
ELECTRICAL NOTES:

1. REMOVE EXISTING ELECTRIC OPERATORS FOR SLUICE GATES, CA-SG-1, CA-SG-2, CA-SG-3, CA-SG-4, AND ASSOCIATED CONDUITS, CONDUCTORS, AND JUNCTION BOXES BACK TO JB3, WHICH WILL REMAIN.
2. PROVIDE AND INSTALL PROPOSED ELECTRIC OPERATORS FOR SLUICE GATES, CA-SG-1, CA-SG-2, CA-SG-3, CA-SG-4, AND ASSOCIATED CONDUITS, CONDUCTORS, AND JUNCTION BOXES BACK TO EXISTING JB3 AS SHOWN, SPECIFIED AND REQUIRED. NEW WIRING FOR PROPOSED SLUICE GATE OPERATORS SHALL BE SPLICED TO EXISTING CONDUCTORS IN JB3 USING APPROVED/SPECIFIED TECHNIQUES.
3. THERE ARE NO EXISTING ELECTRIC OPERATORS FOR SLUICE GATES CA-SG-13, CA-SG-14, CA-SG-15, CA-SG-16. THE CONTRACTOR SHALL PROVIDE AND INSTALL THE PROPOSED ELECTRIC OPERATORS UNDER THIS CONTRACT.
4. REMOVE EXISTING JUNCTION BOX AND INSTALL A NEMA 4X, 480 VAC, 3-PHASE, 4 WIRE, DISTRIBUTION CIRCUIT BREAKER PANELBOARD, PNL-1 WITH FOUR (4) 480 V, 3-POLE, 15 AMP CIRCUIT BREAKERS, AS SHOWN, SPECIFIED, AND REQUIRED.
5. PROVIDE AND INSTALL TWELVE (12) #12 AWG AND FOUR (4) #12 GROUND CONDUCTORS IN 3/4" CONDUIT AND (4) JUNCTION BOXES FROM THE PROPOSED OPERATORS CA-SG-13 THRU CA-SG-16 TO THE PROPOSED DISTRIBUTION CIRCUIT BREAKER PANELBOARD, PNL-1, AS SHOWN, SPECIFIED, AND REQUIRED.
6. THE EXISTING RWP#1 PUMP MOTOR SHALL BE DISCONNECTED AND ABANDONED IN PLACE. REMOVE CONDUIT AND CONDUCTORS FROM EXISTING JUNCTION BOX TO PUMP MOTOR. INTERCEPT THE EXISTING CONDUIT AND CONDUCTORS FROM MCC-59 AND EXTEND TO THE PROPOSED PNL-1 PANELBOARD, AS SHOWN, SPECIFIED, AND REQUIRED.
7. IF POSSIBLE, PROVIDE A NEW OR REFURBISHED MCC-59 CUBICLE BUCKET TO REPLACE THE EXISTING 13A BUCKET AS SHOWN, SPECIFIED, AND REQUIRED. IF A REPLACEMENT BUCKET IS NOT AVAILABLE, REFURBISH THE EXISTING UNIT AS REQUIRED. NEATLY COVER ANY EXISTING OPENINGS NOT BEING UTILIZED AND FINISH TO MATCH EXISTING SURFACE. PROVIDE PROPER LEGEND PLATE AS SHOWN ON THE PLANS. PROPOSED LEGEND PLATE ENGRAVING, LETTERING SIZE, AND MATERIAL SHALL MATCH EXISTING LEGEND PLATES.
8. THE PROPOSED 13A CUBICLE BUCKET SHALL CONTAIN A 60 AMP, THERMAL-MAGNETIC MOLDED CASE CIRCUIT BREAKER WITH A MINIMUM 50K AIC RATING.
9. REUSE EXISTING FPE 100A FUSEMATIC CIRCUIT BREAKER IN MCC-59 CUBICLE 2C FOR PROPOSED SLUICE GATE OPERATORS CA-SG-1 THRU CA-SG-4.
10. ALL PROPOSED WORK AND ASSOCIATED TEXT ARE SHOWN WITH DARKER LINE WEIGHT.
11. FIELD VERIFY ALL MECHANICAL EQUIPMENT SIZES AND RATINGS PRIOR TO CONNECTING.
12. ALL ELECTRICAL WORK SHALL BE PERFORMED IN ACCORDANCE W/THE LATEST EDITION OF THE NEC AND ALL APPLICABLE LOCAL ORDINANCES.
13. THE CONTRACTOR SHALL FIELD VERIFY EXISTING CONDITIONS AND MAKE ADJUSTMENTS AS NECESSARY TO EXECUTE THE PROPOSED INSTALLATIONS.
14. ALL CONDUITS AND FITTINGS INSTALLED SHALL BE RIGID ALUMINUM COATED WITH 40 MIL PVC OUTSIDE AND 2 MIL URETHANE INSIDE, AS MANUFACTURED BY ROBROY OR EQUAL.
15. CORE DRILL CONCRETE AS REQUIRED TO INSTALL CONDUITS. FILL ANNULAR SPACE USING APPROVED PRODUCTS AND FINISH TO MATCH EXISTING SURFACE.
16. TOUCH UP ANY DAMAGED PVC COATING USING MANUFACTURER RECOMMENDED PRODUCT, MATCH EXISTING SURFACE.
17. ALL CONDUCTORS SHALL BE STRANDED COPPER, 12 AWG MINIMUM, W/ THWW INSULATION, UNLESS NOTED OTHERWISE.

ROMAN D. KORCHAK, PE #42626 ELECTRICAL SECTION HEAD WASTEWATER DEPARTMENT	No.	DATE	REVISIONS	DES: LRG	CITY OF TAMPA WASTEWATER DEPARTMENT	HFCAWTP MISCELLANEOUS SLUICE GATE REPLACEMENTS ELECTRICAL-PLAN VIEW	W.O. 5915
	1			DRN: LRG			SHEET
	2			CKD: RDK			EI
	3			DATE: 5/16/2013			



CONDUIT LAYOUT-FILTER BUILDING
 PLAN VIEW
 (SCALE: 1/16"=1'-0")



CONDUIT LAYOUT-RECLAIMED WATER P.S.
 PLAN VIEW
 (SCALE: 1/8"=1'-0")

NOTE:
 CONTRACTOR SHALL ENSURE WALKWAY IS CLEAR OF OBSTRUCTIONS. RUN CONDUIT ALONG OUTSIDE OF STRUCTURE TO AVOID CROSSING WALKWAY, AS SHOWN, SPECIFIED, AND REQUIRED.

ROMAN D. KORCHAK, PE #42626 ELECTRICAL SECTION HEAD WASTEWATER DEPARTMENT	No.	DATE	REVISIONS	DES: LRG	CITY OF TAMPA WASTEWATER DEPARTMENT	HFCAWTP MISCELLANEOUS SLUICE GATE REPLACEMENTS ELECTRICAL-CONDUIT LAYOUT	W.O. 5915
	1			DRN: LRG			SHEET
	2			CKD: RDK			E2
	3			DATE: 5/16/2013			

PANELBOARD SCHEDULE												PANEL "PNL-1"											
bus amps			LOAD			poles/amps			bus			amps/poles			LOAD			bus amps					
A	B	C							ABC			A	B	C				A	B	C			
1			SLUICE GATE 13			3	15	1	1	15	3	SLUICE GATE 15			1			1					
	1								2	15	3												
1			SLUICE GATE 14			3	15	7	1	15	3	SLUICE GATE 16			1			1					
	1								2	15	3												
1									1	15	3				1			1					
	1								2	15	3												
1									1	15	3				1			1					
	1								2	15	3												
1									1	15	3				1			1					
	1								2	15	3												
1									1	15	3				1			1					
	1								2	15	3												
1									1	15	3				1			1					
	1								2	15	3												
1									1	15	3				1			1					
	1								2	15	3												
1									1	15	3				1			1					
	1								2	15	3												
1									1	15	3				1			1					
	1								2	15	3												
1									1	15	3				1			1					
	1								2	15	3												
1									1	15	3				1			1					
	1								2	15	3												
1									1	15	3				1			1					
	1								2	15	3												
1									1	15	3				1			1					
	1								2	15	3												
1									1	15	3				1			1					
	1								2	15	3												
1									1	15	3				1			1					
	1								2	15	3												
1									1	15	3				1			1					
	1								2	15	3												
1									1	15	3				1			1					
	1								2	15	3												
1									1	15	3				1			1					
	1								2	15	3												
1									1	15	3				1			1					
	1								2	15	3												
1									1	15	3				1			1					
	1								2	15	3												
1									1	15	3				1			1					
	1								2	15	3												
1									1	15	3				1			1					
	1								2	15	3												
1									1	15	3				1			1					
	1								2	15	3												
1									1	15	3				1			1					
	1								2	15	3												
1									1	15	3				1			1					
	1								2	15	3												
1									1	15	3				1			1					
	1								2	15	3												
1									1	15	3				1			1					
	1								2	15	3												
1									1	15	3				1			1					
	1								2	15	3												
1									1	15	3				1			1					
	1								2	15	3												
1									1	15	3				1			1					
	1								2	15	3												
1									1	15	3				1			1					
	1								2	15	3												
1									1	15	3				1			1					
	1								2	15	3												
1									1	15	3				1			1					
	1								2	15	3												
1									1	15	3				1			1					
	1								2	15	3												
1									1	15	3				1			1					
	1								2	15	3												
1									1	15	3				1			1					
	1								2	15	3												
1									1	15	3				1			1					
	1								2	15	3												
1									1	15	3				1			1					
	1								2	15	3												
1									1	15	3				1			1					
	1								2	15	3												
1									1	15	3				1			1					
	1								2	15	3												
1									1	15	3				1			1					
	1								2	15	3												
1									1	15	3				1			1					
	1								2	15	3												
1									1	15	3				1			1					
	1								2	15	3												
1									1	15	3				1			1					
	1								2	15	3												
1									1	15	3				1			1					
	1								2	15	3												
1									1	15	3				1			1					
	1								2	15	3												
1									1	15	3				1			1					
	1								2	15	3												
1									1	15	3				1			1					
	1								2	15	3												
1									1	15	3				1			1					
	1								2	15	3												
1									1	15	3				1			1					
	1								2	15	3												
1									1	15	3				1			1					
	1								2	15	3												
1									1	15	3				1			1					
	1								2	15	3												
1									1	15	3				1			1					
	1								2	15	3												
1									1	15	3				1			1					
	1								2	15	3												
1																							