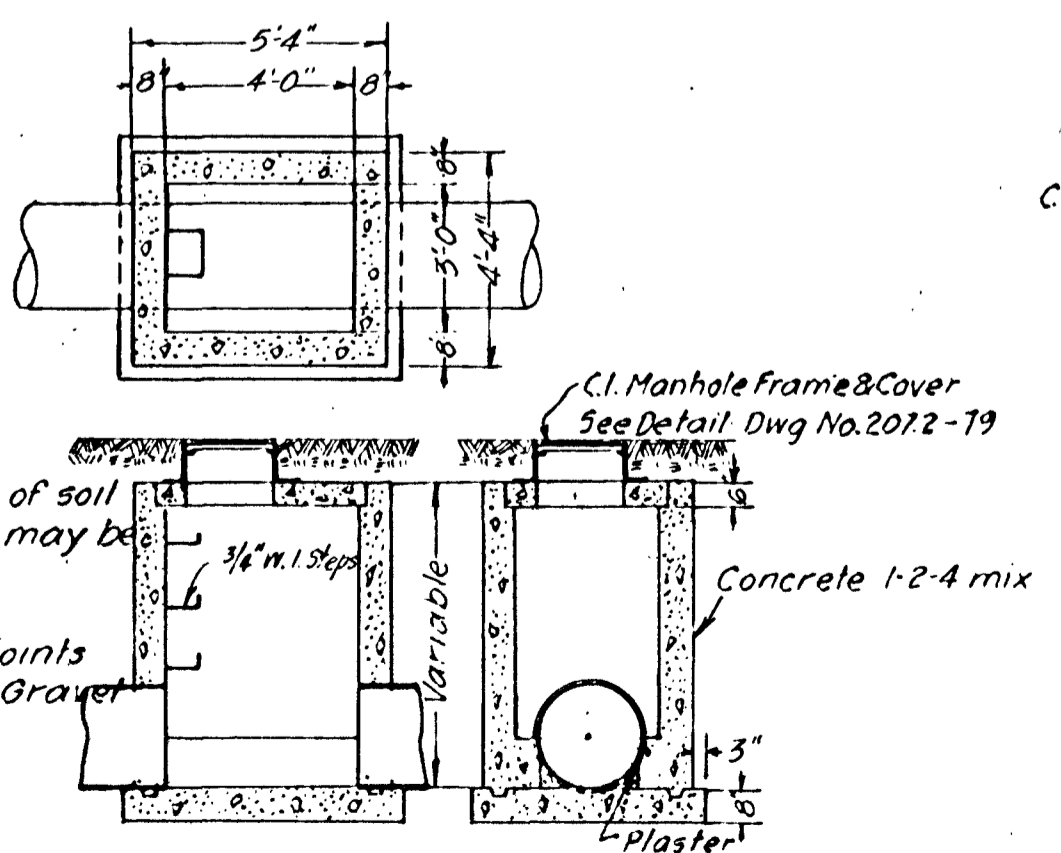
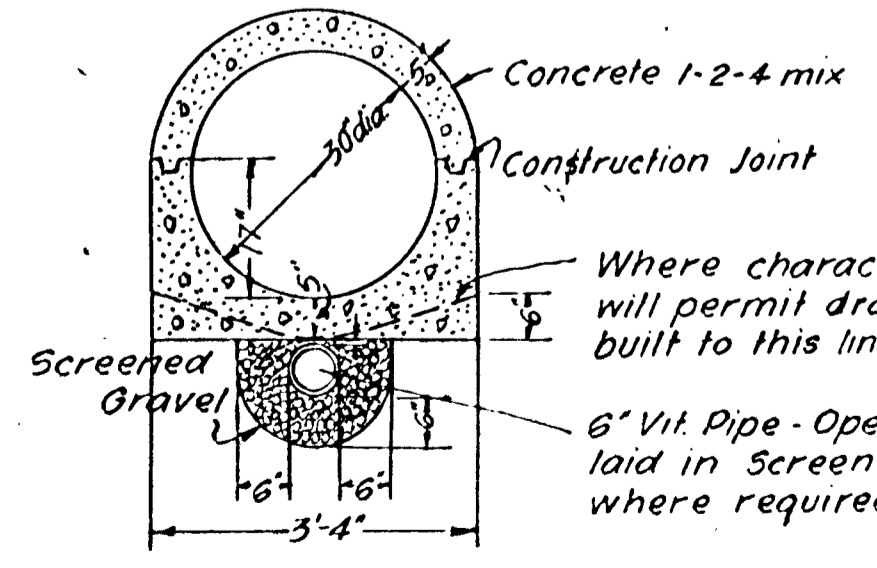
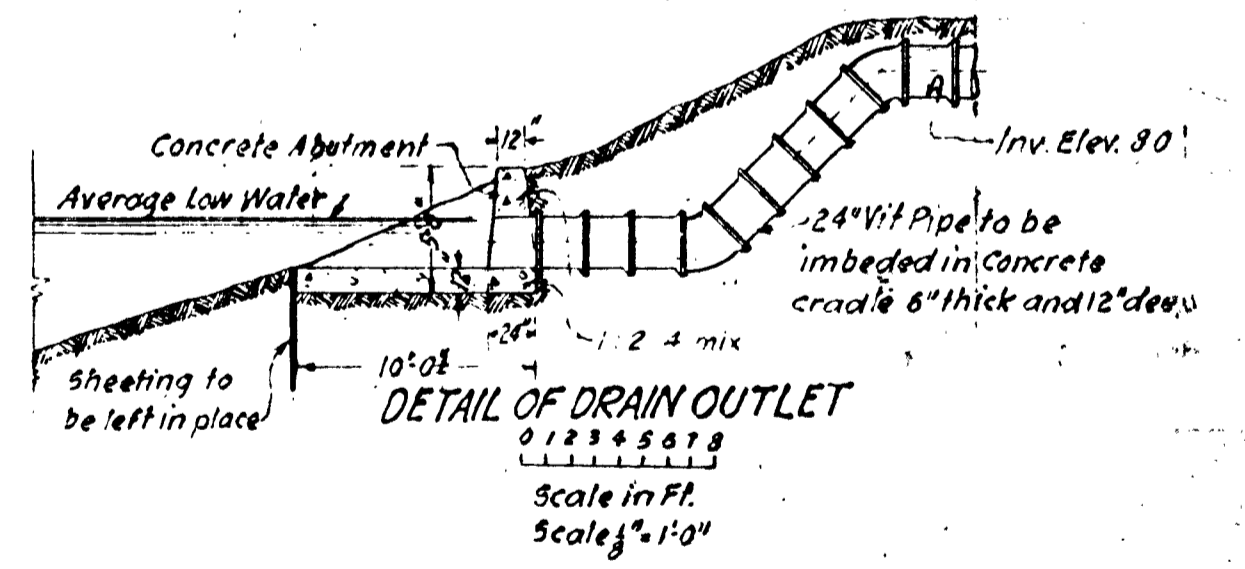
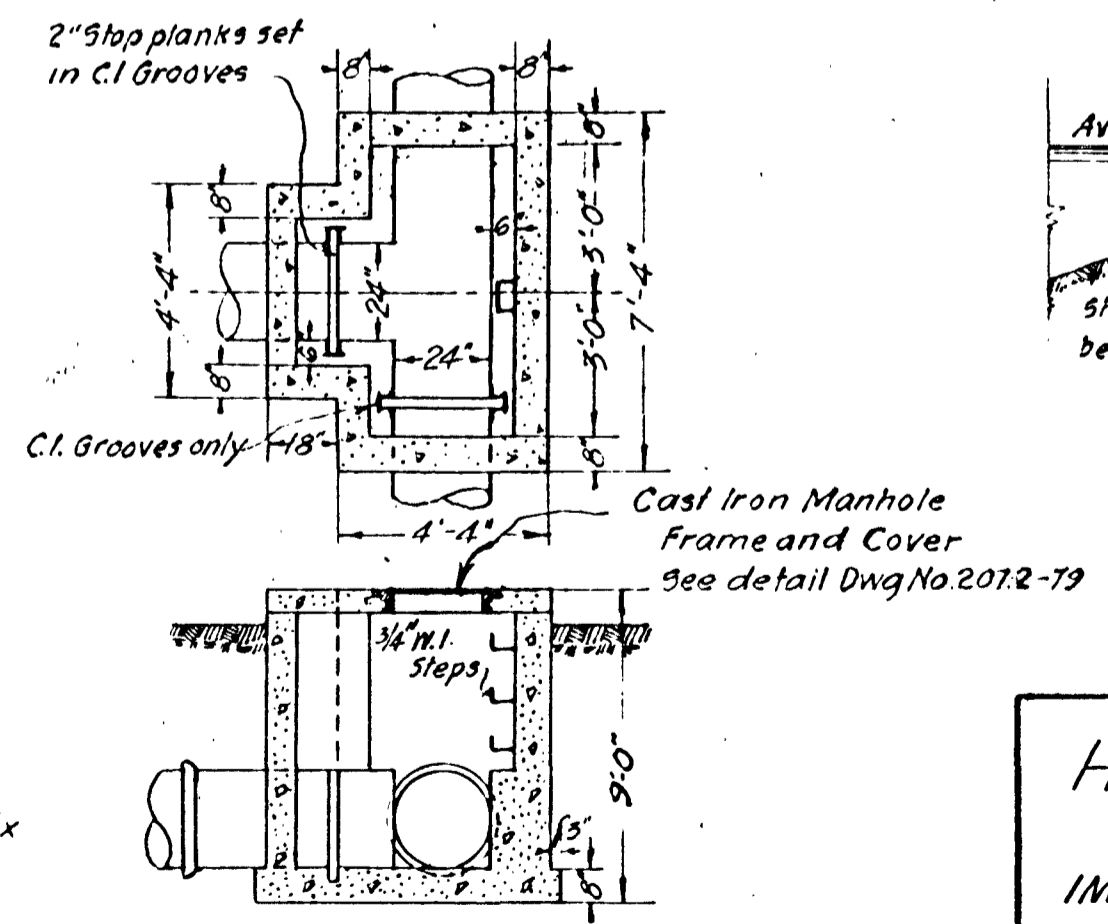


PROFILE
Horizontal: 1" = 200'
Vertical: 1" = 20'



DRAWING NO. 2012-76

TAMPA, FLORIDA
IMPROVEMENTS TO WATER SUPPLY
HILLSBOROUGH RIVER PROJECT
SPUR TRACK AND DRAIN
PLAN PROFILE AND DETAILS

Nicholas S. Hill, Jr.
Consulting Engineer
112 East 19th Street
New York City

February 1, 1924

HRWTP
2-1-24
IMP. TO WATER

63

B74
C.9. 1-125

Drawn by	E. G.	Checked by	M. K.	Examined by	...	Reviewed by	A. R.	Approved by	S. K.
Revisions									

Scale 1/2" = 1'0"

DETAIL OF DIVERTING MANHOLE
Scale in Ft.

DETAIL OF MANHOLES FOR 24' DRAIN
Scale in Ft.

SECTION OF DRAIN FROM FIRST MANHOLE WEST OF FILTER PLANT TO 30th ST.
Scale in Feet
Scale 1/2" = 1'0"

SBD AGREEMENT No. 5221

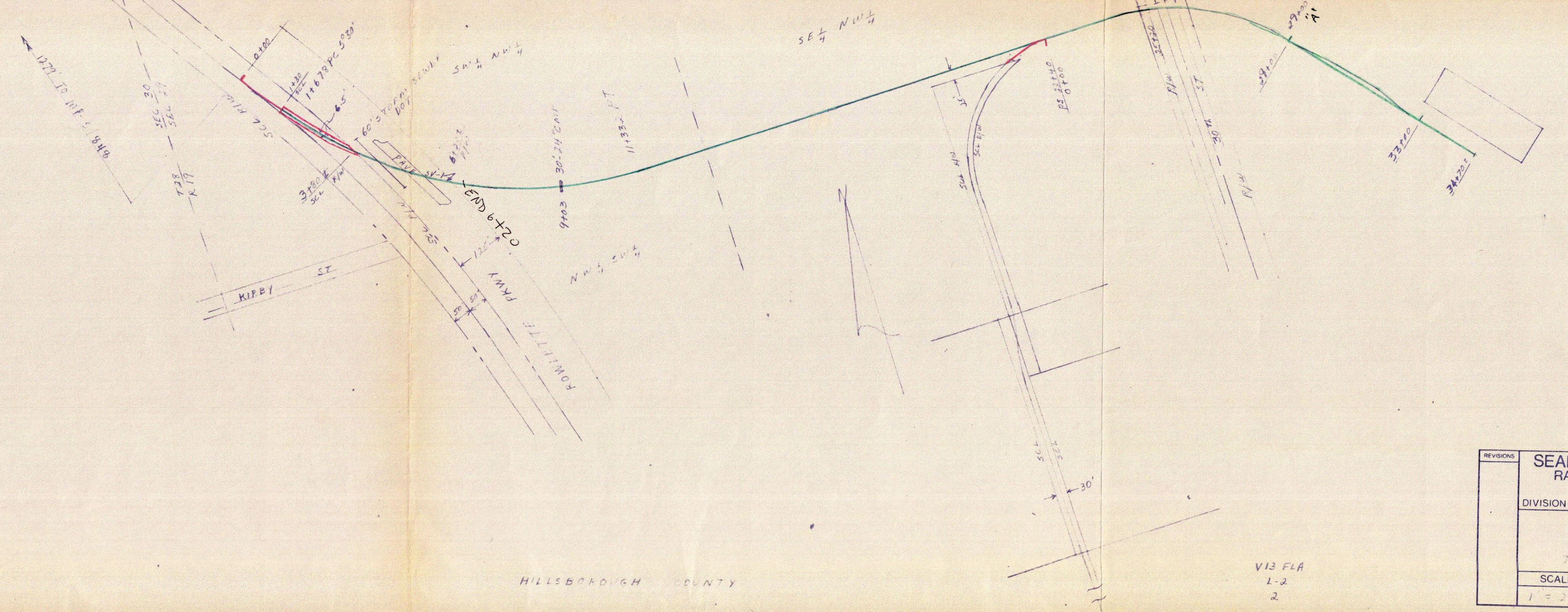
Exhibit "A"

43-5552

43-3368

HILLSBOROUGH COUNTY

V13 FLA
L-2
2



REVISIONS		
SEABOARD COAST LINE RAILROAD COMPANY		
DIVISION ENGINEER		TAMPA, FLA
TAMPA, FLORIDA		
SCALE	DATE	DWG NO.
1" = 200'	3-3-22	3670-25