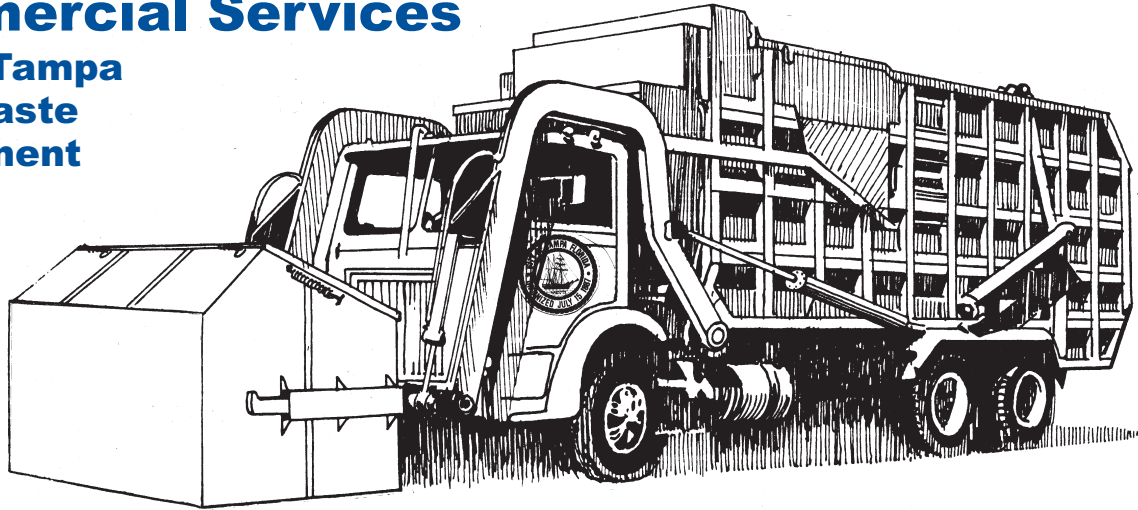


# Commercial Services

## City of Tampa Solid Waste Department



## Rules & Regulations for Commercial Refuse Collection

To help us provide safe, efficient and environmentally sound solid waste collection services to your commercial establishment, the City of Tampa Solid Waste Department requests that you follow the procedures.

### I. Commercial Refuse Bin Service

- A. The type of business you operate will determine the collection service most appropriate to meet your solid waste needs. The Department will provide you with an expert assessment of the refuse, and advise you of the most suitable type of collection service based on volume, bin size, service frequency and bin location.
- B. Front loading type commercial refuse bins are available in 2, 3, 4, 6 and 8 cubic yard sizes. Service is offered from 1 to 6 days a week.
- C. Please do not stack additional boxes, pallets or other debris around your commercial refuse bin. Once the refuse container is full, additional refuse should be held inside your business until the container has received its scheduled service or a **Special Pick-up** should be requested. You will be billed for the **Special Pick-up**, accordingly.
- D. Keep your refuse bin lids closed at all times. This prevents the possibility of papers blowing out and also contains any odor until your refuse bin is serviced on its scheduled pick-up day.
- E. Your container must not be overloaded to the extent that its lids can not close. Building materials, concrete, bricks, sand and heavy logs should not be placed in the container.
- F. Your container is emptied mechanically by the operator from the truck cab. Any accumulations of boxes, trash or pallets left on or around the refuse container will not be collected. Instead, the container will be tagged as overloaded.
- G. The refuse container must be accessible at all times. If access to your container is obstructed, the driver will tag it as blocked and proceed on his/her route. A **Special Pick-up** will need to be requested. You will be billed for the **Special Pick-up**.
- H. Any shrubbery, limbs, yard trash, etc., must be cut in lengths required to fit inside the refuse container. The service charge you pay is for the containers' capacity. Additional trash outside the refuse bin will not be collected.
- I. For your convenience, the refuse container can be fitted with casters (wheels). Also, if requested, a lock can be fitted for your container to prevent illegal use by residents or other commercial establishments.

## II. Commercial Bulk Service

- A. Again, the type of business you operate will determine the type of collection service most appropriate for your solid waste needs. Our department personnel is available to assess the refuse and advise you of the service most suited for your business.
- B. Commercial bulk service is available to those businesses whose refuse volume or commercial location can not support a commercial refuse bin.



- C. Metal or plastic regulation size garbage containers - 32 gallons - or plastic bags must be used to containerize all commercial refuse. The refuse must be set outside your place of business near the curb by 6:00 a.m. on your scheduled pick-up day. Your container must be retrieved by sunset of your pickup day, unless your business is serviced at night. The Ybor City and Downtown Central Business Districts are serviced at night.

## III. Other Related Information

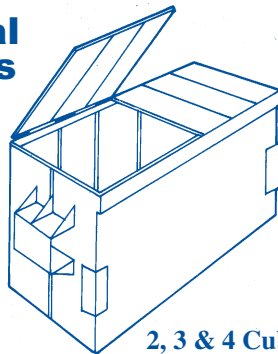
- A. **Special Pick-up** service is available for loose trash and/or bulk debris on a requested basis for a minimum charge.
- B. Generally, if your scheduled collection day is on a City recognized holiday, your service may be one day later during the holiday week. Our holiday collection schedules are announced on your monthly utility bill, on government access television and in the local news media.

## Compactor and Roll Off Service

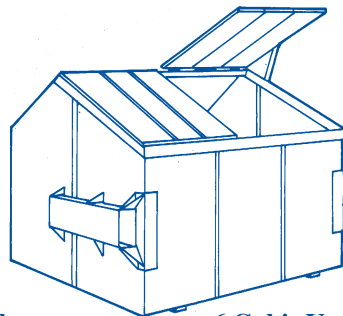
Now servicing all of your refuse collection needs.

For your convenience, the City of Tampa provides compactor and roll-off refuse service. We have proven performance and our service is fast, safe, efficient and environmentally friendly. The compactors that we offer are state of the art technology and are engineered for maintenance free long life. We offer very competitive rates and no contract is required.

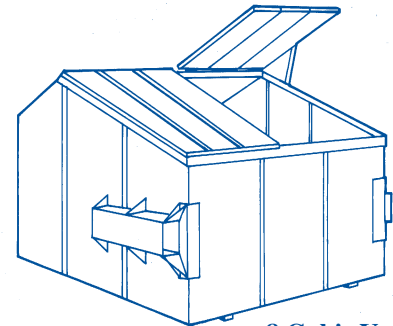
### Commercial Refuse Bins



2, 3 & 4 Cubic Yards



6 Cubic Yards



8 Cubic Yards



City of Tampa  
Solid Waste Department  
4010 W. Spruce St.  
Tampa, FL 33607

**TampaGov**  
www.tampagov.net

FOR ADDITIONAL INFORMATION  
CALL: 348-1111  
MONDAY - FRIDAY 7:30 A.M. - 4:30 P.M.

**HELP US KEEP OUR CITY CLEAN!**